

**S3-B**

**Socket for 11-pin Relays and Time Cubes**

**Rated Load** **10 A / 300 V**

**Specifications**

Rated impulse withstand voltage	2.5 kV rms / 1 min
- All terminals / DIN rail	2.5 kV rms / 1 min
- Terminal / Terminal	
Cross-section of connecting wire	
- Single-wire	4 mm <sup>2</sup> / AWG 12 or 2 x 2.5 mm <sup>2</sup> / AWG 14
- Multi-wire	0.34 mm <sup>2</sup> / AWG 22 - 2.5 mm <sup>2</sup> / AWG 14
Nominal screw torque	0.7 Nm
Screw Dimensions (mm)	M3 Pozi slot
Mounting	TS-35 or Back Panel Mounting
Ambient temperature	-40 ... 60 °C / -40 ... 80 °C (no ice)
Weight	55g

**Included Accessories**

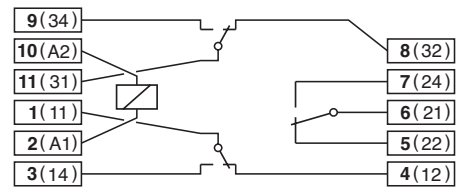
Retaining Clip, plastic S30-CM for C3 / C3x Relays

**Optional Accessories**

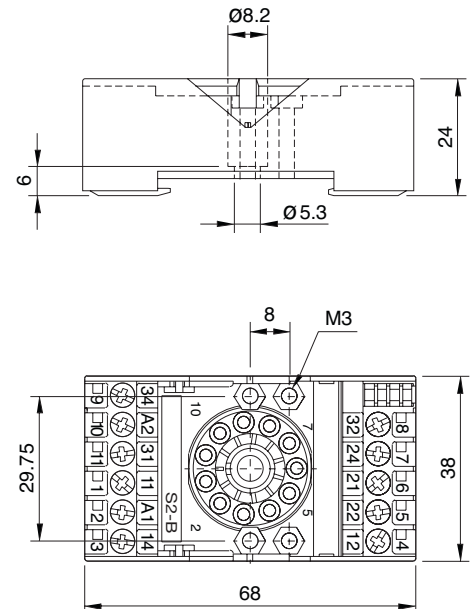
Retaining clip, steel HF-32 (BAG 10 PCS) for C3 / C3x Relays  
 Coding Ring HF-33 (BAG 10 PCS) for Time Cube CTx  
S3-BC (BAG 5 PCS) for C3 / C3x Relays



**Connection diagram**



**Dimensions (mm)**



**Technical approvals, conformities**



Socket Selection for industrial Relays																									
Socket Type	Description	C2	C3	C4	C5	C7	C9	C10	C12	C16PTL / C18PTL	C18-A15PT	C21	C22	C31	C32	R7	R-Module	CS2 / CS3 / C64	C55 / C56	C83 / C85	CT2	CT3	CT32 / CT33 / CT36	CT515 / CT524	KDM
EC-11	Socket for industrial Relay		●											●	●										
S2-B	Socket for industrial Relay	●																				●			
S2-S *	Socket for industrial Relay	●										●	●									●			
S2-L *	Socket for industrial Relay	●																				●			
S2-P *	Socket for industrial Relay	●																				●			
S2-P0 *	Socket for industrial Relay	●																				●			
S3-B	Socket for industrial Relay		●											●	●			●	●				●		
S3-MP	Socket for industrial Relay		●											●	●			●	●				●		
S3-S	Socket for industrial Relay		●											●	●			●	●				●		
S3-P *	Socket for industrial Relay																	●	●				●		
S3-P0 *	Socket for industrial Relay																	●	●				●		
S3-M0	Socket for industrial Relay		●											●	●		●						●	●	
S3-M1	Socket for industrial Relay		●											●	●			●	●				●		
S3-M	Socket for industrial Relay		●											●	●			●	●				●		
S4-J	Socket for industrial Relay			●																					
S4-L	Socket for industrial Relay			●																					
S4-P	Socket for industrial Relay			●																					
S5-M	Socket for industrial Relay				●												●						●	●	
S5-L	Socket for industrial Relay				●																				
S5-P	Socket for industrial Relay																								
S7-C	Socket for industrial Relay					●											●	●			●				●
S7-I0	Socket for industrial Relay					●											●	●							
S7-16	Socket for industrial Relay					●											●	●							
S7-P *	Socket for industrial Relay					●											●								
S7-L *	Socket for industrial Relay					●											●								
S9-M	Socket for industrial Relay						●																		
S9-P	Socket for industrial Relay						●																		
S9-L *	Socket for industrial Relay						●																		
S9-P0	Socket for industrial Relay																								
S10	Socket for industrial Relay							●																	
S10-P	Socket for industrial Relay							●																	
S12	Socket for industrial Relay								●																
S12-P	Socket for industrial Relay								●																
S16-M	Socket for industrial Relay									●								●							
S18-M	Socket for industrial Relay										●							●							

\* Discontinued, limited units may be still available from stock.

Socket Accessoires																	
Type	Description	S3-M	S3-M0	S3-M1	S2-B	S3-B	S5-M	S7-C	S10	S7-IO	S12	S9-M	S4-J	S7-L	S7-P	S9-L	S9-P
CA-11	Code Ring (BAG 5 PCS)					●											
C-A2	Neutral-Connector (BAG 5 PCS or 50 PCS)	●	●	●			●										
SC-3	A1-Connector (BAG 10 PCS)		●	●			●										
LH-1	Label carrier transparent (BAG 5 PCS)	●	●	●													
SL-36	Label holder transparent (BAG 5 PCS)				●	●											
SP-36	Labeling strips (BAG 5 PCS)				●	●											
L-16	Labeling strips (BAG 5 PCS)	●	●	●													
SD-1T	Lock lid transparent (BAG 5 PCS)	●	●	●			●										
SD-1W	Lock lid white (BAG 5 PCS)	●	●	●			●										
B20-G	Bridge Bar grey (BAG 5 PCS)										●						
B20-R	Bridge Bar red (BAG 5 PCS)										●						
B20-A	Bridge Bar blue (BAG 5 PCS)										●						
PS-W	Labeling strips							●									
S7-BB	Bridge bar (BAG 5 PCS ( 5 x 4 ))							●		●							
S9-CH	Labeling srib white (BAG 10 PCS)									●		●					
S10-BB	Bridge bar (BAG 20 PCS ( 5 x 4 ))								●								
S10-RH	Labeling srib white (BAG 10 PCS)								●		●						
S10-RT	Transparent Cover (BAG 20 PCS)								●								
SA-0	Wall Adapter							●	●		●						
SS-T	Transparent Cover							●									
SS-W	White Cover							●									
V10-G	Bridge Bar grey (BAG 5 PCS)										●						
V10-R	Bridge Bar red (BAG 5 PCS)										●						
V10-A	Bridge Bar blue (BAG 5 PCS)										●						
V40-G	Bridge Bar grey (BAG 5 PCS)										●						
V40-R	Bridge Bar red (BAG 5 PCS)										●						
V40-A	Bridge Bar blue (BAG 5 PCS)										●						

Retaining clip selection for socket and relay

Socket type	Made in	C2 ESP	C2 ESP + CT2	C2 IND	C2 IND + CT2	C3 ESP	C3 ESP + CT3	C3 IND	C3 ESP + CT3	C4 ESP	C4 CN	C5 ESP	C5 CN	C7 ESP	C7 CN	C9 ESP	C9 CN	C10 ESP	C10 CN	C10 IND	C12 ESP	C12 IND	C16PTL / C18PTL	C18-ASP1	C21	C21 + CT2	C22	C22 + CT2	C31	C31 + CT3	C32	C32 + CT3	R3 ESP	R3 IND	R7 ESP	R7 CN			
EC-8	ESP	S3-C	HF-32				S3-C		HF-32																														
EC-11	CN																																						
S2-B, S2-S	CN	S3-OM CP-15B S3-C	S3-OM HF-32	S3-CT																																			
S20-B	ESP	S3-OM CP-15B S3-C	S3-OM HF-32	S3-CT																																			
S2-L, S2-P, S2-PO	ESP	S3-C	HF-32																																				
S3-B	CN																																						
S30-B	ESP	S3-OM CP-15B S3-C	S3-OM HF-32	S3-CT																																			
S3-MP	ESP	S3-OM CP-15B S3-C	S3-OM HF-32	S3-CT																																			
S3-S	CN																																						
S3-L, S3-P, S3-PO	ESP	S3-C	HF-32																																				
S3-M0	ESP	S3-C	HF-32	S3-CT																																			
S4-J	CN	S3-OM CP-15B S3-C									S3-OM CP-15B S3-C																												
S4-L, S4-P, S4-PO	ESP	S4-CL									S4-CL																												
S5-S	ESP																																						
S5-M	CN																																						
S7-C	CN																																						
S7-H0	ESP																																						
S7-H0	CN																																						
S7-16	ESP																																						
S7-P																																							
S7-L, S7-PO	ESP																																						
S9-M	CN																																						
S9-P																																							
S9-L, S9-PO	ESP																																						
S10	CN																																						
S10-P	CN																																						
S12	CN																																						
S12-P	ESP																																						
S16-M	CN																																						
S18-M	CN																																						