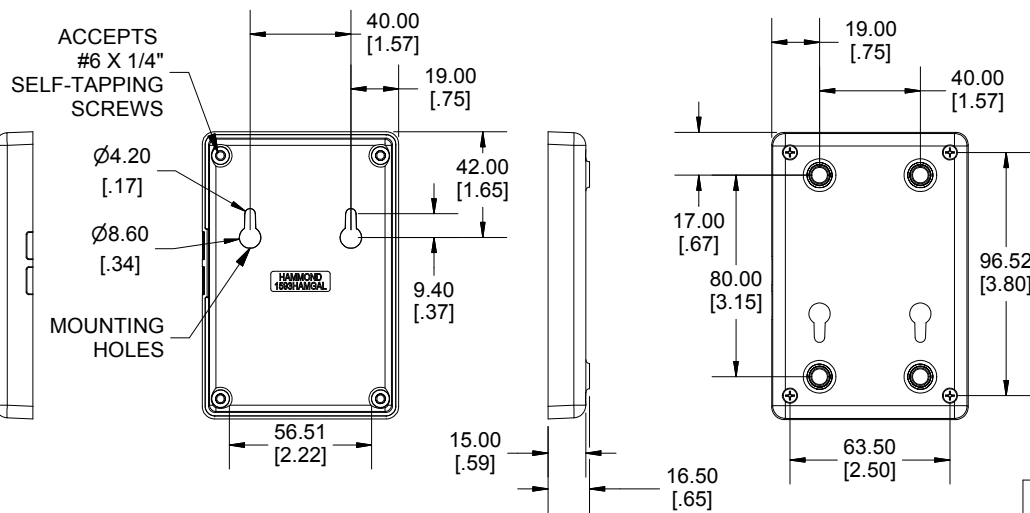
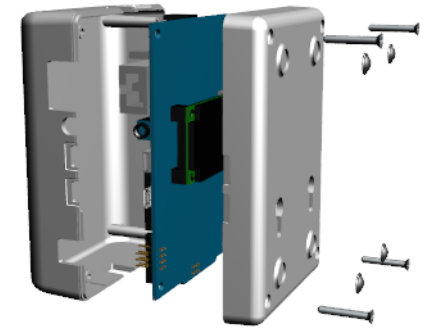
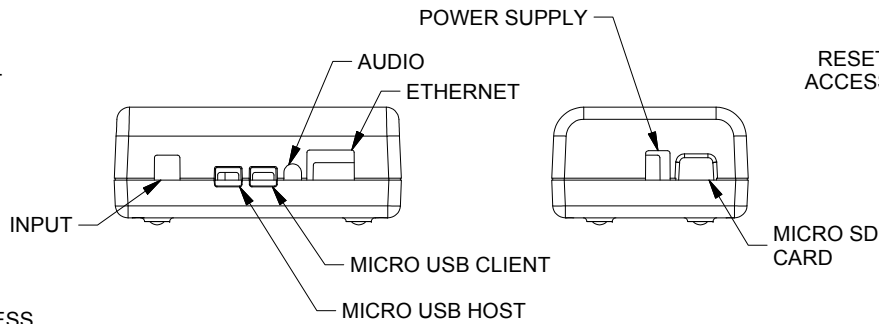
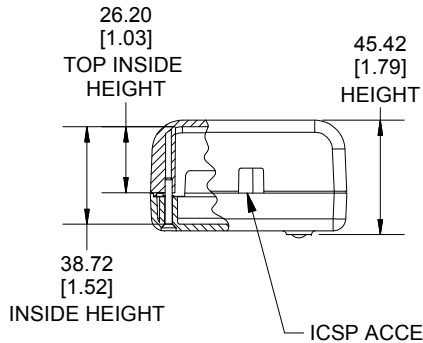


TOP



BOTTOM

Enclosures can be Factory Modified (Milling, Drilling, Printing etc.)
 Contact Factory mjm@hammondmfg.com for quotes
 Solid models of this enclosure available in STEP or IGES.

NOTE
 Purchased assembly includes top and bottom cover, 4 clear rubber feet, 4 case screws, and 4 P.C board screws (Development Board is not included).

PART NUMBERS	
1593HAMGAL Enclosure	
Black Enclosure	1593HAMGALBK
Grey Enclosure	1593HAMGALGY
Transparent Blue Enclosure	1593HAMGALTBU

HAMMOND MANUFACTURING™
1593HAMGAL
www.hammondmfg.com

Dimensions:
 mm
 [inches]

Mouser Electronics

Authorized Distributor

Click to View Pricing, Inventory, Delivery & Lifecycle Information:

Hammond:

[1593HAMGALBK](#) [1593HAMGALTBU](#) [1593HAMGALGY](#)