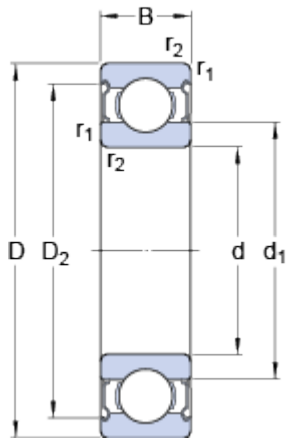


# 6004-2Z

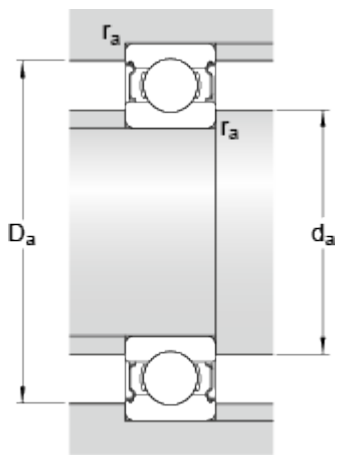
SKF Explorer

## Dimensions



d	20	mm
D	42	mm
B	12	mm
d <sub>1</sub>	≈ 27.2	mm
D <sub>2</sub>	≈ 37.19	mm
r <sub>1,2</sub>	min. 0.6	mm

## Abutment dimensions



d <sub>a</sub>	min. 23.2	mm
d <sub>a</sub>	max. 27.1	mm
D <sub>a</sub>	max. 38.8	mm
r <sub>a</sub>	max. 0.6	mm

## Calculation data

Basic dynamic load rating	C	9.95	kN
Basic static load rating	C <sub>0</sub>	5	kN
Fatigue load limit	P <sub>u</sub>	0.212	kN
Reference speed		38000	r/min
Limiting speed		19000	r/min
Calculation factor	k <sub>r</sub>	0.025	
Calculation factor	f <sub>0</sub>	14	

## Mass

Mass bearing		0.071	kg
--------------	--	-------	----