

DOLPHIN FOOTSWITCH



Dolphin Footswitch

Environmental Ratings:

NEMA Type 2, 4, 6 & 6P
 EN 60529 Degree of Protection IP68
 Meets IEC 60601-2-2
 Driptight - Dusttight - Watertight

Key Benefits


The round cover allows actuation from any direction with moderate pressure. The cover and base is molded in a high impact compound and has a nonskid base pad and mounting provisions. Foot switch is wired normally open, no ground.

Size: 3-1/2" x 4-1/8" x 1"
 Weight: 9 oz.

SPECIFICATIONS

(Special variations are available to the O.E.M. on special order on the models listed below)

⚠ WARNING

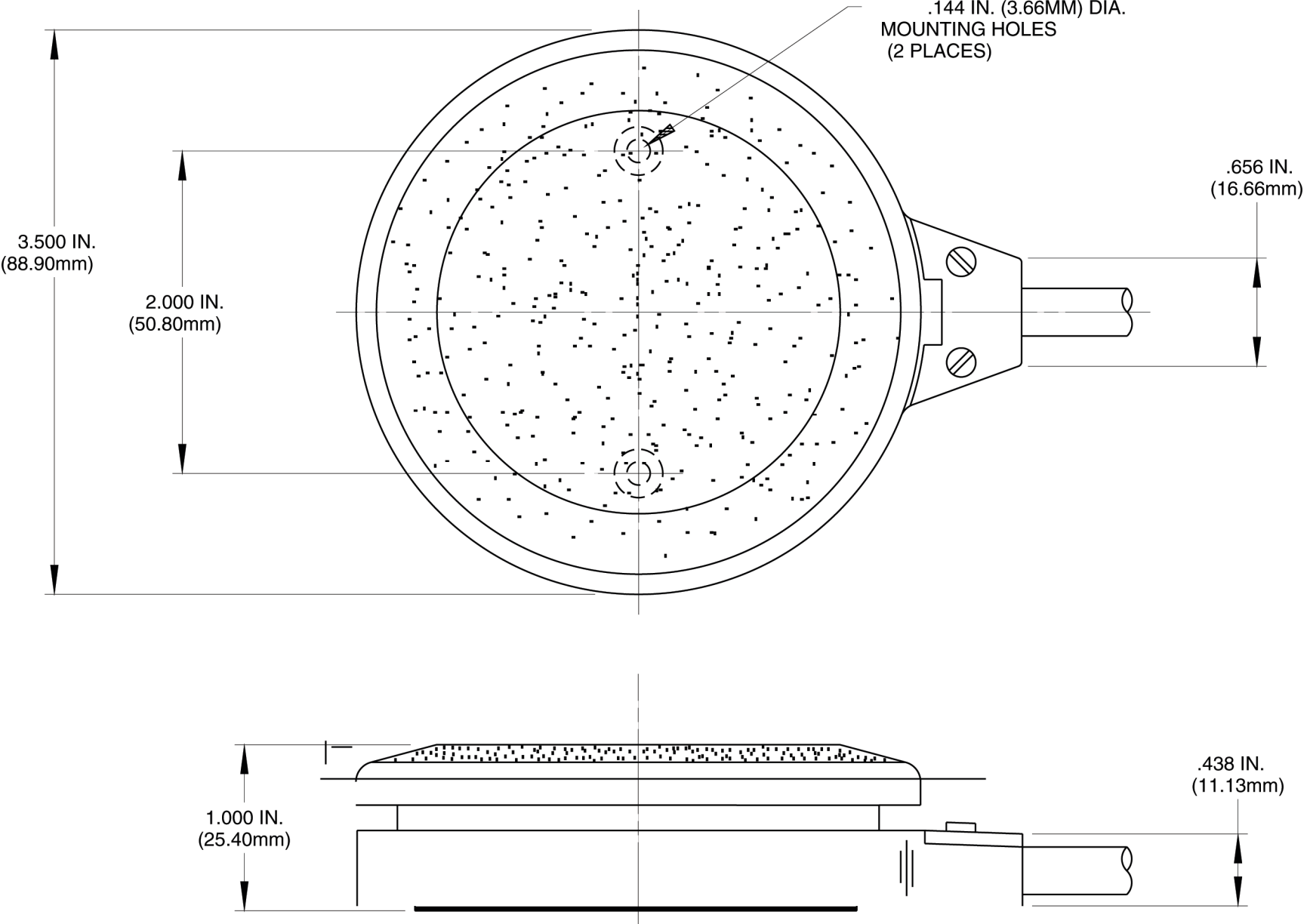
CATALOG NUMBER	DESCRIPTION	CIRCUIT	FORM	ELECTRICAL RATINGS
 D41-SN028*	Momentary	SPST Wired N.O.	A	5 A RESISTIVE 125 VAC 28 VDC 3 A General Purpose 125 VAC

*Supplied with 8 ft. 18/2 cord without plug.

⚠ WARNING INTENDED FOR INDOOR USE PRIMARILY TO PROVIDE A DEGREE OF PROTECTION AGAINST THE ENTRY OF WATER DURING OCCASIONAL TEMPORARY SUBMERSION AT A LIMITED DEPTH.

Dolphin Model

NOTE: ALL DIMENSIONS ARE FOR REFERENCE ONLY.



NEMA Type 2, 4, 6 & 6P
EN 60529 Degree of Protection IP68
Meets IEC 60601-2-2

Driptight • Dusttight • Watertight
HIGH IMPACT LOW PROFILE OMNI-DIRECTIONAL DESIGN

Materials of Construction:

- Actuation from any direction with moderate pressure
- The cover and base is molded in a high impact polymeric compound
- Base includes mounting provisions

Features & Benefits:

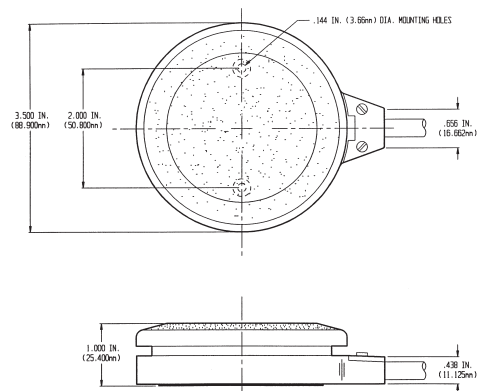
- Low profile to aide in elimination of fatigue
- A nonskid base pad
- Wired normally open, no ground

Options:

- Stainless Steel Weight Plate Available
- Custom Cable Available
- Available in RED in Production Quantities



WARNING INTENDED FOR INDOOR USE PRIMARILY TO PROVIDE A DEGREE OF PROTECTION AGAINST THE ENTRY OF WATER DURING OCCASIONAL TEMPORARY SUBMERSION AT A LIMITED DEPTH.



Size (HxWxD):	1.00 x 3.50 x 4.13 In.
Weight:	9.00 oz.

WARNING SEE PRODUCT WARNING ON PAGE 8						
SPECIFICATIONS (Special variations are available to the O.E.M. on special order on the models listed below)						
AGENCY APPROVALS	EN 60529 Degree of Protection	CATALOG NUMBER	DESCRIPTION	CIRCUIT	FORM	ELECTRICAL RATINGS
c us	IP68	D41-SNO28 ¹	Momentary	SPST Wired N.O.	A	5 A Resistive 125 VAC 28 VDC 3 A General Purpose 125 VAC

¹Supplied with 8 ft. 18/2 cord without plug.