



SIRIUS POSITION SWITCH METAL ENCLOSURE 40MM  
 ACC. TO EN50041 DEVICE CONNECTION 1X (M20X1.5)  
 1NO/1NC SNAP-ACTION CONTACTS METAL ROLLER  
 LEVER AND PLASTIC ROLLER 22MM

**Manufacturer article number**

- of the basic unit included in the scope of supply
- of the actuator head for position switches included in the scope of supply

[3SE5112-0CA00](#)

[3SE5000-0AE01](#)

**General technical details:**

**product designation**

standard position switch

**Insulation voltage**

- rated value

V 400

**Degree of pollution**

class 3

**Thermal current**

A 6

**Operating current**

- at AC-15
  - at 24 V / rated value
  - at 125 V / rated value
  - at 230 V / rated value
  - at 400 V / rated value
- at DC-13
  - at 24 V / rated value
  - at 125 V / rated value
  - at 230 V / rated value
  - at 400 V / rated value

A	6
A	6
A	6
A	4
A	3
A	0.55
A	0.27
A	0.1

<b>Continuous current</b>		
• of the slow DIAZED fuse link	A	6
• of the quick DIAZED fuse link	A	10
• of the C characteristic circuit breaker	A	1
<b>Mechanical operating cycles as operating time</b>		
• typical		15,000,000
<b>Electrical operating cycles as operating time</b>		
• with contactor 3RH11, 3RT1016, 3RT1017, 3RT1024, 3RT1025, 3RT1026 / typical		10,000,000
• at AC-15 / at 230 V / typical		100,000
<b>Electrical operating cycles in one hour</b>		
• with contactor 3RH11, 3RT1016, 3RT1017, 3RT1024, 3RT1025, 3RT1026		6,000
<b>Repeat accuracy</b>	mm	0.1
<b>Design of the contact element</b>		snap-action contacts
<b>Number of NC contacts</b>		
• for auxiliary contacts		1
<b>Design of the switching function</b>		positive opening
<b>Number of NO contacts</b>		
• for auxiliary contacts		1
<b>Resistance against vibration</b>		0.35 mm / 5g
<b>Resistance against shock</b>		30g / 11 ms
<b>Ambient temperature</b>		
• during the operating phase	°C	-25 ... 85
• during storage	°C	-40 ... 90
<b>Product specification</b>		
• for dimensions		EN 50041
<b>Width of the sensor</b>	mm	40
<b>material</b>		
• of the housing		metal
<b>Material / of the housing / of the switch head</b>		metal
<b>Design of the operating mechanism</b>		metal lever, plastic roller
<b>Actuating speed</b>	mm/s / m/s	0.1 ... 2.5
<b>Minimum actuating force / in activation direction</b>	N	10
<b>Protection class IP</b>		IP66/IP67
<b>Built in orientation</b>		any
<b>design of the cable entry (gland)</b>		1x (M20 x 1.5)
<b>Design of the electrical connection</b>		screw-type terminals
<b>Item designation</b>		
• according to DIN 40719 extendable after IEC 204-2		S

• according to DIN EN 61346-2

B

#### Certificates/approvals:

##### General Product Approval

For use in  
hazardous  
locations

Functional Safety /  
Safety of  
Machinery

[CQC](#)

[ROSTEST](#)



[VDE](#)

[DEKRA EXAM,](#)  
[DMT](#)

[TÜV](#)

##### Test Certificates

other

[Manufacturer](#)

[other](#)

[Manufacturer](#)

#### Further information:

##### Information- and Downloadcenter (Catalogs, Brochures,...)

<http://www.siemens.com/industrial-controls/catalogs>

##### Industry Mall (Online ordering system)

<http://www.siemens.com/industrial-controls/mall>

##### CAX-Online-Generator

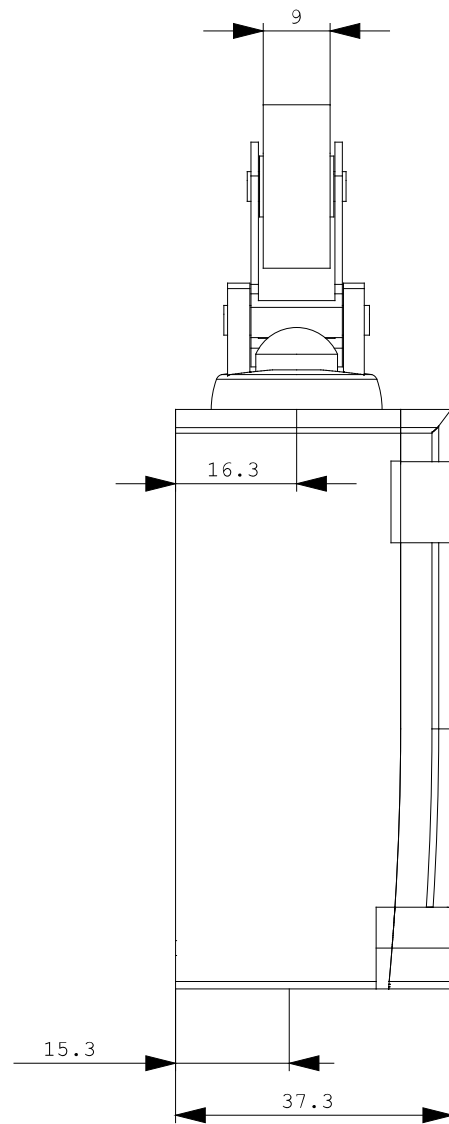
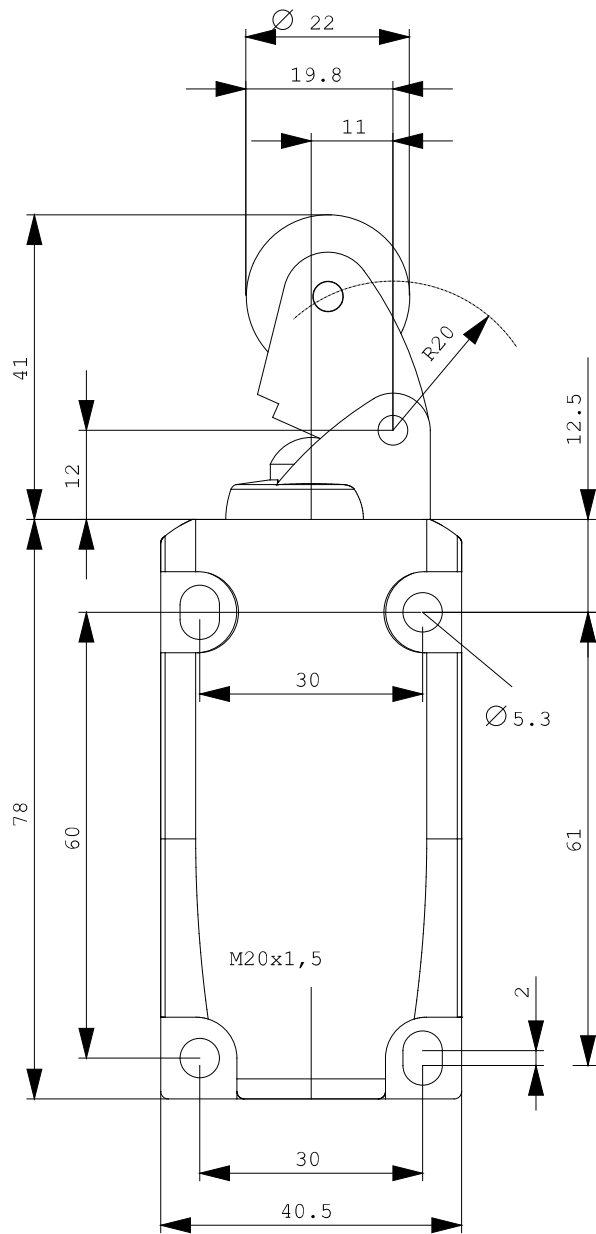
<http://www.siemens.com/cax>

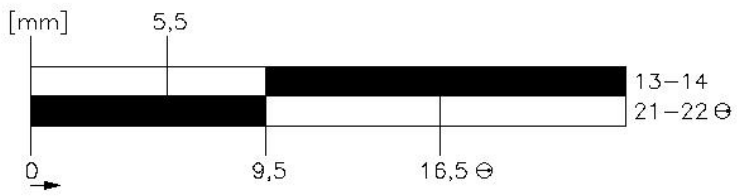
##### Service&Support (Manuals, Certificates, Characteristics, FAQs,...)

<http://support.automation.siemens.com/WW/view/en/3SE5112-0CE01/all>

##### Image database (product images, 2D dimension drawings, 3D models, device circuit diagrams, ...)

[http://www.automation.siemens.com/bilddb/cax\\_en.aspx?mlfb=3SE5112-0CE01](http://www.automation.siemens.com/bilddb/cax_en.aspx?mlfb=3SE5112-0CE01)





**last change:**

May 9, 2011