

4

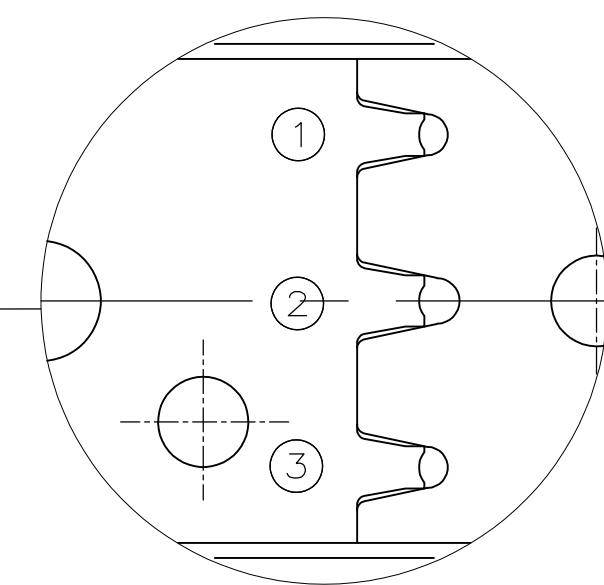
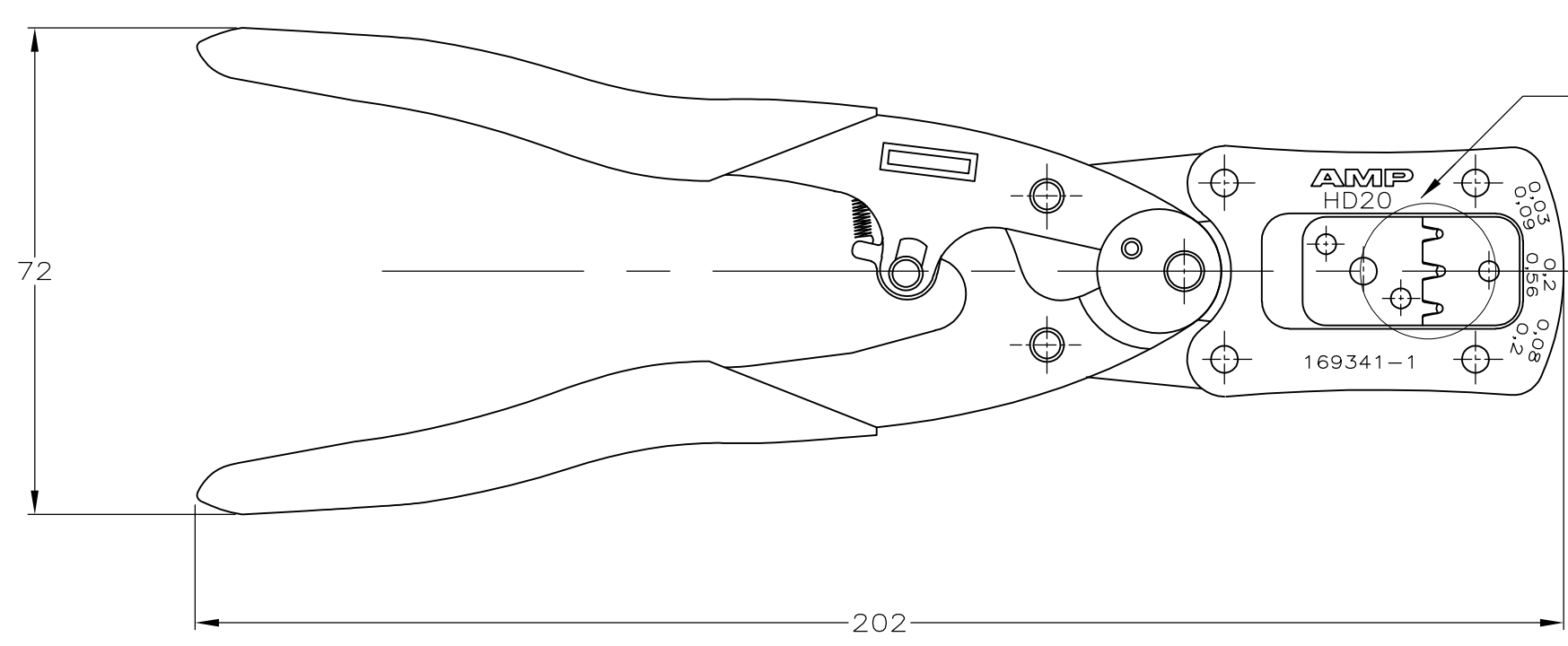
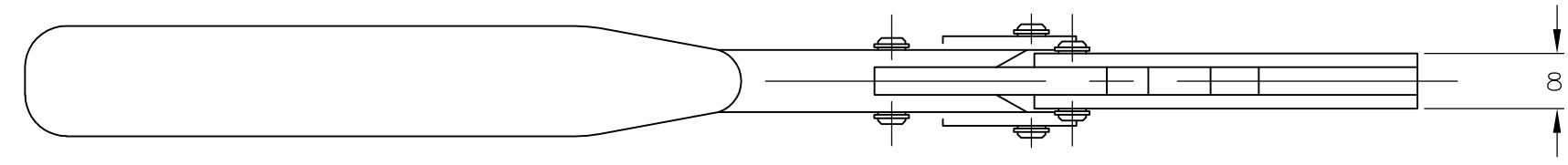
3

2

1

THIS DRAWING IS UNPUBLISHED. RELEASED FOR PUBLICATION
 © COPYRIGHT - By - ALL RIGHTS RESERVED.

LOC	DIST	REVISIONS					
		P	LTR	DESCRIPTION	DATE	DWN	APVD
-	-	P		REVISED PER ECO-11-005294	02APR11	RK	HMR



169341-1
PARTNUMBER

PROF	WIRE RANGE	INS. RANGE	TERMINAL
1	0,2-0,56	1,3-1,5	SEE CATALOG
2	0,08-0,2	1,0 MAX	SEE CATALOG
3	0,03-0,09	0,5-1,0	SEE CATALOG

THIS DRAWING IS A CONTROLLED DOCUMENT.

DIMENSIONS: mm

TOLERANCES UNLESS OTHERWISE SPECIFIED:

0 PLC	± -
1 PLC	± -
2 PLC	± -
3 PLC	± -
4 PLC	± -
ANGLES	± -
FINISH	-

MATERIAL: -

DWN P.BEIJNON 21-2-89
 CHK R.VOS
 APVD L.V.SOEST
 PRODUCT SPEC -
 APPLICATION SPEC -
 WEIGHT -
 CUSTOMER DRAWING

STE TE Connectivity

NAME: HANDTOOL FOR HD 20 CONTACTS

SIZE: A3 CAGE CODE: 00779 DRAWING NO: C-169341 RESTRICTED TO: -

SCALE: - SHEET: 1 of 1 REV: P

Mouser Electronics

Authorized Distributor

Click to View Pricing, Inventory, Delivery & Lifecycle Information:

[TE Connectivity:](#)

[169341-1](#)