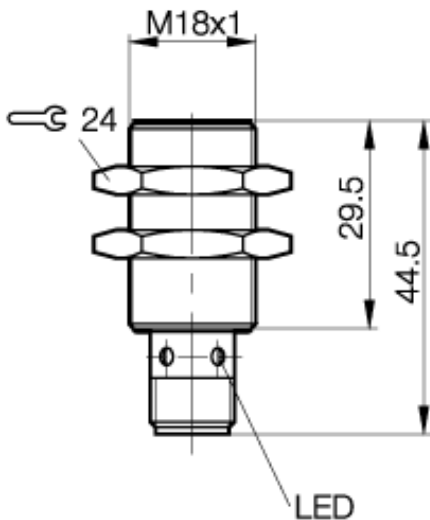


Inductive Sensors
BES 516-326-E5-C-S 4
M18x1 x 44.5
normally-open
Sn=5mm
shielded



PX0453a

Common Data

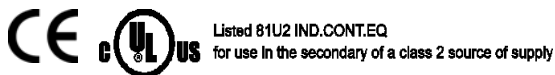
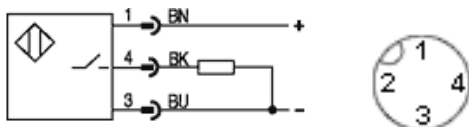
Mounting in steel	shielded
Rated operating distance Sn	5mm
Assured operating distance Sa	0...4mm
Repeatability R	<= 5%
Hysteresis	<= 15%
Function indication	yes
Ambient temperature range	-25...+70°C
Polution Degree	3
IEC-Code	I1A18AP2
Time delay before availability	<= 50ms

Mechanical Data

Measurements BxHxT or DxT	M18x1 x 44.5mm
Housing material	nickel plated brass
Material of sensing face	PA 12
Degree of protection	IP67IP
Connection	Connector S4
Schock: Halfsinus, 30 gn, 11ms	
Vibration: 55 Hz, 1mm Amplitude, 3 x 30 Minutes	

Electrical Data

Current type	DC
Wiring	3-Wire
switching function	normally-open
Output signal	PNP
Rated operational voltage	24 DCV
Rated operational current	200mA
Supply voltage	10...30 DCV
Ripple	<= 15%
max. switching frequency	1000Hz
No-load supply current	<= 10/<= 3mA
Off-state current	<= 10µA
Voltage drop	<= 2.0/-V
Short circuit protection	yes
Protected against polarity reversal	yes



Utilization categories DC 13
 Insulation class II

Datasheet number:

Definitions see general catalog.
 If not otherwise noted, ratings according to IEC 60947-5-2 (DIN EN60947-5-2)

Balluff GmbH
 P.O.Box 1160
 73761 Neuhausen Germany
 Phone (07158) 173-0 Fax (07158) 5010