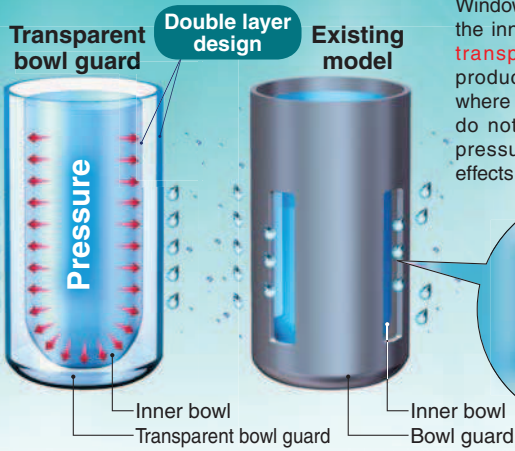
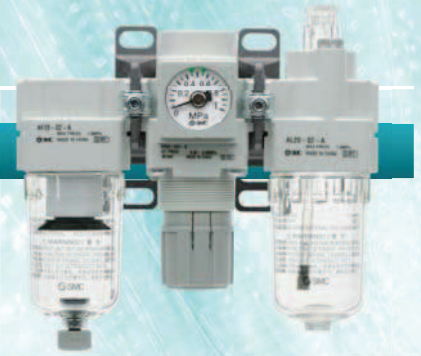


▶ Transparent bowl guard

Better environmental resistance:
Transparent bowl guard can protect the inner bowl!



Windows on the bowl guard are abolished and the inner bowl is covered with "polycarbonate transparent bowl guard". Even when the product is used in an ambient environment where it is exposed to chemicals or oil, which do not stick to the bowl where the internal pressure is applied. This can reduce direct effects on the bowl.

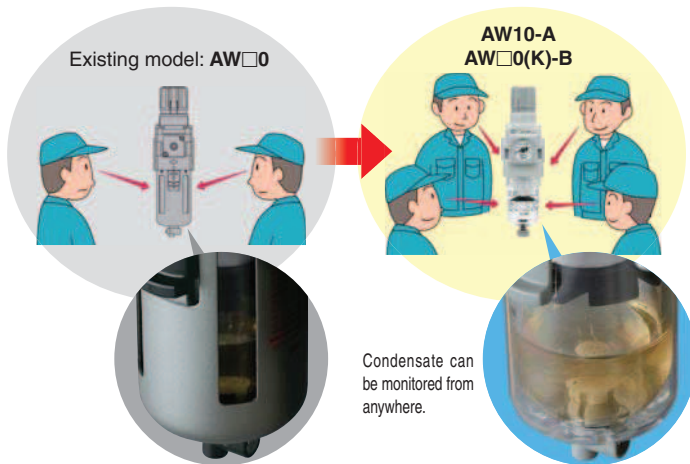
Applicable model

Air Filter AF	Filter Regulator AW□0(K)-B
Mist Separator AFM	Lubricator AL
Micro Mist Separator AFD	

* Body size: 30 or more

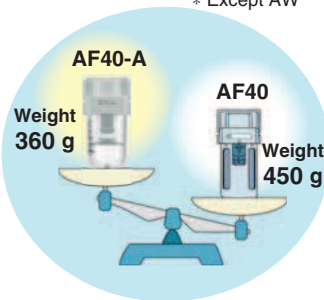
Better visibility: 360°

Use of transparent bowl guard makes it possible to check the condensate inside the filter case and the remaining oil amount in the lubricator from the entire periphery.

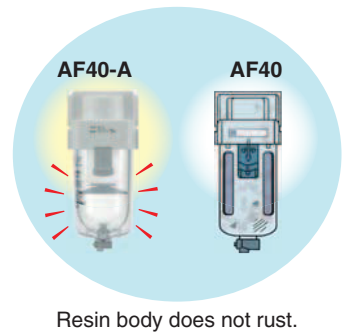


Light weight: Max. 90 g reduction

* Except AW



Metal related corrosion does not occur.

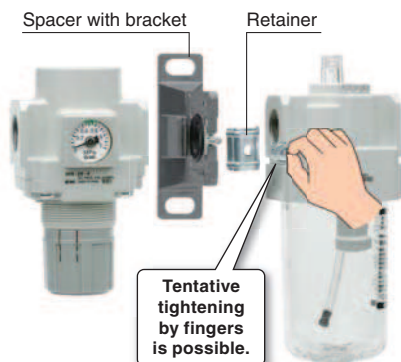


New Spacer

Modular connection

Step ①

- Mount the product by lining up the mating surface of the new spacer with bracket.
- Insert the retainer into the spacer bolt and tighten the nut. (temporary assembling)



Step ②

- Tighten the nut with the hexagon wrench.

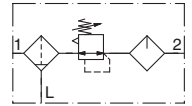
Interchangeable with existing model

- New spacer can be connected to existing AF, AR, AL, AW series.
- Existing spacer can be connected to the New AF□-A, AR□(K)-B, AL□-A, AW□(K)-B series.



AC10A-A

Symbol



How to Order

Refer to page 17 for size 20 to 60.

AC10A-M5 - - - A

1
 2
 3

- Option/Semi-standard: Select one each for a to h.
- Option/Semi-standard symbol: When more than one specification is required, indicate in alphanumeric order.
Example) AC10A-M5CG-T-12NR-A

		Symbol	Description		
1	Option	a	Float type auto drain		
		—	Without auto drain		
		C ^{Note 1)}	N.C. (Normally closed) Drain port is closed when pressure is not applied.		
		+			
b	Pressure gauge	—	Without pressure gauge		
		G ^{Note 2)}	Round type pressure gauge (without limit indicator)		
		+			
2	Attachment (T-spacer) ^{Note 3)}	—	Without attachment		
		T	Mounting position: AW+T+AL		
		+			
3	Semi-standard	c	Set pressure ^{Note 4)}		
		—	0.05 to 0.7 MPa setting		
		1	0.02 to 0.2 MPa setting		
				+	
		d	Bowl ^{Note 5)}	—	Polycarbonate bowl
				2	Metal bowl
				6	Nylon bowl
				+	
		e	Lubricator lubricant exhaust port	—	Without drain cock
				3	Lubricator with drain cock
				+	
		f	Exhaust mechanism	—	Relieving type
N	Non-relieving type				
		+			
g	Flow direction	—	Flow direction: Left to right		
		R	Flow direction: Right to left		
		+			
h	Pressure unit	—	Name plate, caution plate for bowl, and pressure gauge in imperial units: MPa		
		Z	Name plate, caution plate for bowl, and pressure gauge in imperial units: psi, °F		

Note 1) When pressure is not applied, condensate which does not start the auto drain mechanism will be left in the bowl.

Releasing the residual condensate before ending operations for the day is recommended.

Note 2) A 1.0 MPa pressure gauge will be fitted. It is not assembled and supplied loose at the time of shipment.

Note 3) The bracket position varies depending on the T-spacer mounting.

Note 4) Pressure can be set higher than the specification pressure in some cases, but use pressure within the specification range.

Note 5) Refer to Chemical data on page 46 for chemical resistance of the bowl.



AC10A-A

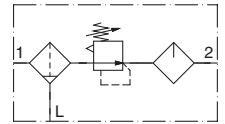
Standard Specifications

Component	Filter Regulator [AW]	AW10-A
	Lubricator [AL]	AL10-A
Port size		M5 x 0.8
Pressure gauge port size [AW]		1/16
Fluid		Air
Ambient and fluid temperature		-5 to 60°C (with no freezing)
Proof pressure		1.5 MPa
Maximum operating pressure		1.0 MPa
Set pressure range [AW]		0.05 to 0.7 MPa
Nominal filtration rating [AW]		5 μm
Recommended lubricant [AL]		Class 1 turbine oil (ISO VG32)
Bowl material [AW/AL]		Polycarbonate
Construction [AW]		Relieving type
Weight [kg]		0.2

AC
AF+AR+AL
AW+AL
AF+AR
AF+AFM+AR
AW+AFM
Attachment
AF
AFM / AFD
AR
AL
AW

AC20A-B to AC60A-B

Symbol



How to Order

Refer to page 15 for size 10.

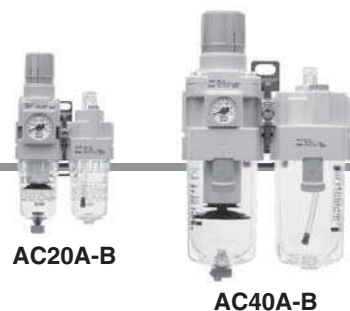
AC **30** A- **03** **DE** - - - B

1
2
3
4
5
6

- Option/Semi-standard: Select one each for a to l.
- Option/Attachment/Semi-standard symbol: When more than one specification is required, indicate in alphanumeric order.
Example) AC30A-F03DE1-KSV-136NR-B

		Symbol	Description	1					
				Body size					
				20	30	40	50	60	
2	Pipe thread type	—	Rc	●	●	●	●	●	
		N ^{Note 1)}	NPT	●	●	●	●	●	
		F ^{Note 2)}	G	●	●	●	●	●	
+									
3	Port size	01	1/8	●	—	—	—	—	
		02	1/4	●	●	●	—	—	
		03	3/8	—	●	●	—	—	
		04	1/2	—	—	●	—	—	
		06	3/4	—	—	●	●	—	
		10	1	—	—	—	●	●	
+									
4	a	Float type auto drain	—	Without auto drain	●	●	●	●	●
			C ^{Note 4)}	N.C. (Normally closed) Drain port is closed when pressure is not applied.	●	●	●	●	●
			D ^{Note 5)}	N.O. (Normally open) Drain port is open when pressure is not applied.	—	●	●	●	●
	+								
	b	Pressure gauge ^{Note 6)}	—	Without pressure gauge	●	●	●	●	●
			E	Square embedded type pressure gauge (with limit indicator)	●	●	●	●	●
			G	Round type pressure gauge (with limit indicator)	●	●	●	●	●
			M	Round type pressure gauge (with colour zone)	●	●	●	●	●
		Digital pressure switch	E1	Output: NPN output/Electrical entry: Wiring bottom entry	●	●	●	●	●
			E2	Output: NPN output/Electrical entry: Wiring top entry	●	●	●	●	●
			E3	Output: PNP output/Electrical entry: Wiring bottom entry	●	●	●	●	●
	E4	Output: PNP output/Electrical entry: Wiring top entry	●	●	●	●	●		
+									
5	c	Check valve	—	Without attachment	●	●	●	●	●
			K	Mounting position: AW+K+AL	●	●	● ^{Note 7)}	—	—
	+								
	d	Pressure switch	—	Without attachment	●	●	●	●	●
			S ^{Note 8)}	Mounting position: AW+S+AL	●	●	●	●	●
	+								
e	Pressure relief 3 port valve	—	Without attachment	●	●	●	●	●	
		V	Mounting position: AW+AL+V	●	●	●	●	—	
+									
6	f	Set pressure ^{Note 9)}	—	0.05 to 0.85 MPa setting	●	●	●	●	●
			1	0.02 to 0.2 MPa setting	●	●	●	●	●
	+								
	g	Bowl ^{Note 10)}	—	Polycarbonate bowl	●	●	●	●	●
			2	Metal bowl	●	●	●	●	●
			6	Nylon bowl	●	●	●	●	●
			8	Metal bowl with level gauge	—	●	●	●	●
			C	With bowl guard	●	— ^{Note 11)}	— ^{Note 11)}	— ^{Note 11)}	— ^{Note 11)}
			6C	Nylon bowl with bowl guard	●	— ^{Note 12)}	— ^{Note 12)}	— ^{Note 12)}	— ^{Note 12)}
	+								
	h	Filter regulator drain port ^{Note 13)}	—	With drain cock	●	●	●	●	●
			J ^{Note 14)}	Drain guide 1/8	●	—	—	—	—
J			Drain guide 1/4	—	●	●	●	●	
W ^{Note 15)}			Drain cock with barb fitting: For ø6 x ø4 nylon tube	—	●	●	●	●	

Air Combination Series AC20A-B to AC60A-B



		Symbol	Description	①						
				Body size						
				20	30	40	50	60		
6	Semi-standard	i	Lubricator lubricant exhaust port	—	Without drain cock	●	●	●	●	●
			3 ^{Note 16)}	Lubricator with drain cock	●	●	●	●	●	●
				+						
		j	Exhaust mechanism	—	Relieving type	●	●	●	●	●
				N	Non-relieving type	●	●	●	●	●
				+						
		k	Flow direction	—	Flow direction: Left to right	●	●	●	●	●
				R	Flow direction: Right to left	●	●	●	●	●
				+						
		l	Pressure unit	—	Name plate, caution plate for bowl, and pressure gauge in imperial units: MPa	●	●	●	●	●
				Z ^{Note 17)}	Name plate, caution plate for bowl, and pressure gauge in imperial units: psi, °F	○ ^{Note 19)}	○ ^{Note 19)}	○ ^{Note 19)}	○ ^{Note 19)}	○ ^{Note 19)}
				ZA ^{Note 18)}	Digital pressure switch: With unit conversion function	△ ^{Note 20)}	△ ^{Note 20)}	△ ^{Note 20)}	△ ^{Note 20)}	△ ^{Note 20)}

Note 1) Drain guide is NPT1/8 (applicable to the AC20A-B) and NPT1/4 (applicable to the AC30A-B to AC60A-B).
The auto drain port comes with ø3/8" One-touch fitting (applicable to the AC30A-B to AC60A-B).

Note 2) Drain guide is G1/8 (applicable to the AC20A-B) and G1/4 (applicable to the AC30A-B to AC60A-B).

Note 3) Option G, M are not assembled and supplied loose at the time of shipment.

Note 4) When pressure is not applied, condensate which does not start the auto drain mechanism will be left in the bowl. Releasing the residual condensate before ending operations for the day is recommended.

Note 5) If the compressor is small (0.75 kW, discharge flow is less than 100 L/min[ANR]), air leakage from the drain cock may occur during start of operations. N.C. type is recommended.

Note 6) When the pressure gauge is attached, a 1.0 MPa pressure gauge will be fitted for standard (0.85 MPa) type. 0.4 MPa pressure gauge for 0.2 MPa type.

Note 7) Not available with piping port size: 06

Note 8) The bracket position varies depending on the pressure switch mounting.

Note 9) Pressure can be set higher than the specification pressure in some cases, but use pressure within the specification range.

Note 10) Refer to Chemical data on page 46 for chemical resistance of the bowl.

Note 11) A bowl guard is provided as standard equipment (polycarbonate).

Note 12) A bowl guard is provided as standard equipment (nylon).

Note 13) The combination of float type auto drain: C and D is not available.

Note 14) Without a valve function

Note 15) The combination of metal bowl: 2 and 8 is not available.

Note 16) When choosing with W: Filter drain port, the drain cock of a lubricator will be with barb fittings.

Note 17) For pipe thread type: NPT.
Cannot be used with M: Round pressure gauge (with colour zone). Available by request for special.
The digital pressure switch will be equipped with the unit conversion function, setting to psi initially.

Note 18) For options: E1, E2, E3, E4.

Note 19) ○: For pipe thread type: NPT only

Note 20) △: Select with options: E1, E2, E3, E4.

Standard Specifications

Model		AC20A-B	AC30A-B	AC40A-B	AC40A-06-B	AC50A-B	AC60A-B
Component	Filter Regulator [AW]	AW20-B	AW30-B	AW40-B	AW40-06-B	AW60-B	AW60-B
	Lubricator [AL]	AL20-A	AL30-A	AL40-A	AL40-06-A	AL50-A	AL60-A
Port size		1/8, 1/4	1/4, 3/8	1/4, 3/8, 1/2	3/4	3/4, 1	1
Pressure gauge port size [AW] ^{Note 1)}		1/8					
Fluid		Air					
Ambient and fluid temperature ^{Note 2)}		-5 to 60°C (with no freezing)					
Proof pressure		1.5 MPa					
Maximum operating pressure		1.0 MPa					
Set pressure range [AW]		0.05 to 0.85 MPa					
Nominal filtration rating [AW]		5 µm					
Recommended lubricant [AL]		Class 1 turbine oil (ISO VG32)					
Bowl material [AW/AL]		Polycarbonate					
Bowl guard [AW/AL]		Semi-standard (Steel)		Standard (Polycarbonate)			
Construction [AW]		Relieving type					
Weight [kg]		0.33	0.63	1.15	1.25	3.21	3.36

Note 1) Pressure gauge connection threads are not available for F.R.L. unit with a square embedded type pressure gauge or with a digital pressure switch.

Note 2) -5 to 50°C for the products with the digital pressure switch

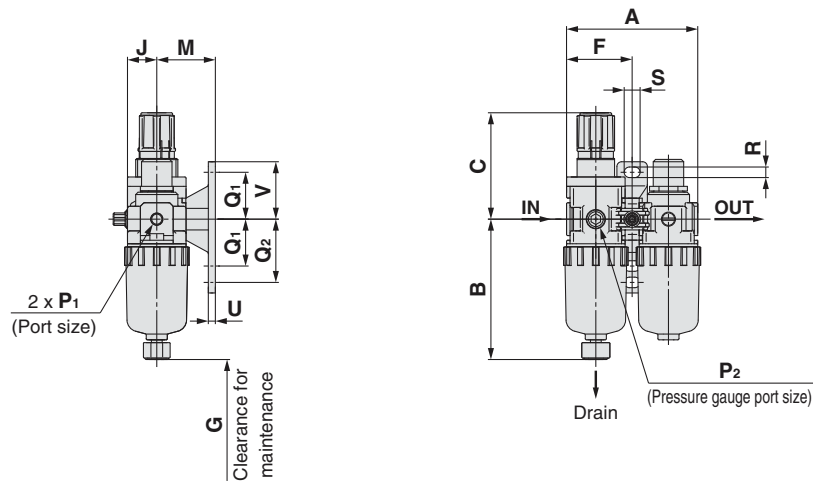
AC
AF+AR+AL
AW+AL
AF+AR
AF+AFM+AR
AW+AFM
Attachment
AF
AFM/AFD
AR
AL
AW

Series AC10A-A

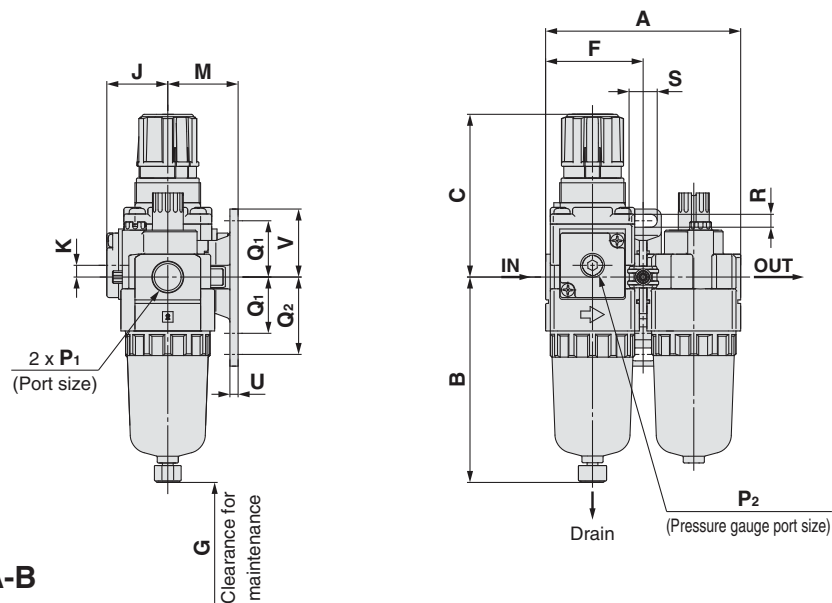
Series AC20A-B to AC60A-B

Dimensions

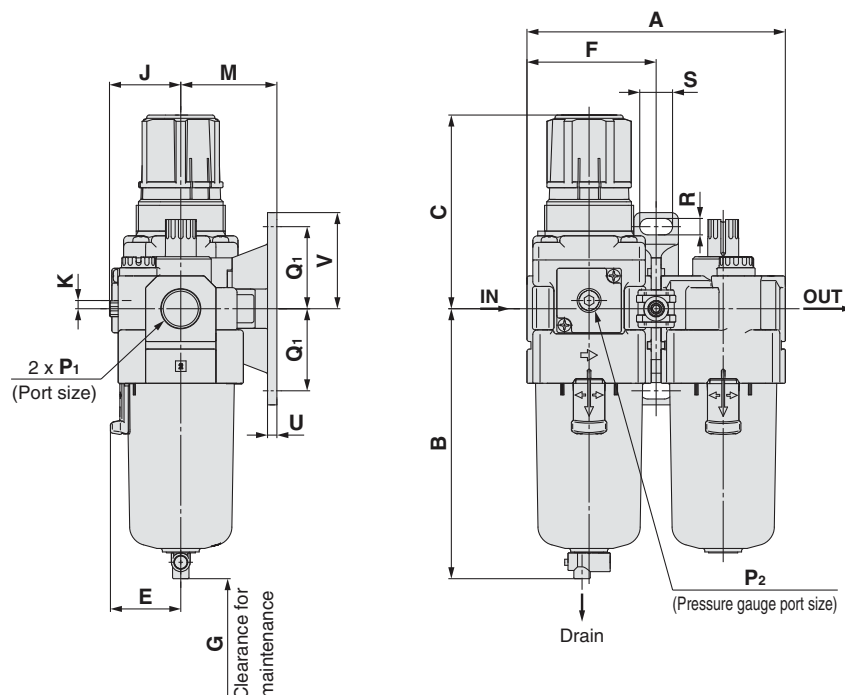
AC10A-A



AC20A-B

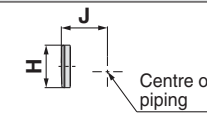
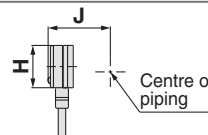
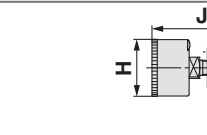
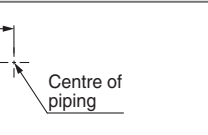


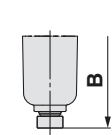
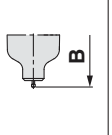
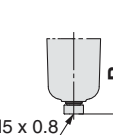
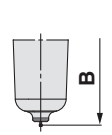
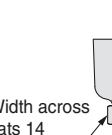

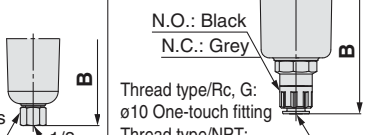
AC30A-B to AC60A-B

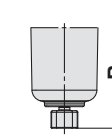
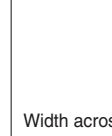
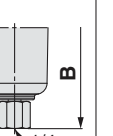
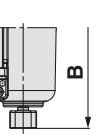

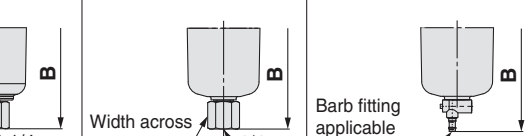


Air Combination *Series AC10A-A*

Air Combination *Series AC20A-B to AC60A-B*

Option	Square embedded type pressure gauge	Digital pressure switch	Round type pressure gauge	Round type pressure gauge (with colour zone)
Dimensions				

Applicable model	AC10A-A		AC20A-B				AC30A-B to AC60A-B
Optional/Semi-standard specifications	With auto drain	Metal bowl	With auto drain	Metal bowl	With drain guide	Metal bowl with drain guide	With auto drain (N.O./N.C.)
Dimensions							

Applicable model	AC30A-B to AC60A-B					
Optional/Semi-standard specifications	Metal bowl	Metal bowl with drain guide	Metal bowl with level gauge	Metal bowl with level gauge, with drain guide	With drain guide	Drain cock with barb fitting
Dimensions						

Model	Standard specifications																
	P ₁	P ₂	A	B	C (Note)	E	F	G	J	K	Bracket mount						
											M	Q ₁	Q ₂	R	S	U	V
AC10A-A	M5 x 0.8	1/16	56	59.9	47.4	—	28	25	12.5	—	25	20	27	4.5	6.8	3	24.5
AC20A-B	1/8, 1/4	1/8	83.2	87.6	72.4	—	41.6	60	28.5	5	30	24	33	5.5	12	3.5	29
AC30A-B	1/4, 3/8	1/8	110.2	115.1	85.6	30	55.1	80	29.4	3.5	41	35	—	7	14	4	41
AC40A-B	1/4, 3/8, 1/2	1/8	145.2	147.1	91.7	38.4	72.6	110	33.8	1.5	50	40	—	9	18	5	48
AC40A-06-B	3/4	1/8	155.2	149.1	93.2	38.4	77.6	110	33.8	1.2	50	40	—	9	18	5	48
AC50A-B	3/4, 1	1/8	191.2	220.1	175.5	—	93.1	110	43.3	3.2	70	50	—	11	20	6	60
AC60A-B	1	1/8	196.2	234.1	175.5	—	98.1	110	43.3	3.2	70	50	—	11	20	6	60

Model	Optional specifications								Semi-standard specifications							
	Square type pressure gauge		Digital pressure switch		Round type pressure gauge		Round type pressure gauge (with colour zone)		With auto drain	With barb fitting	With drain guide	Metal bowl	Metal bowl with drain guide	Metal bowl with level gauge	Metal bowl with level gauge, with drain guide	
	H	J	H	J	H	J	H	J	B	B	B	B	B	B	B	
AC10A-A	—	—	—	—	ø26	26	—	—	77.9	—	—	59.3	—	—	—	
AC20A-B	□28	27	□27.8	37.5	ø37.5	62.5	ø37.5	63.5	104.9	—	91.4	87.4	93.9	—	—	
AC30A-B	□28	30	□27.8	40.9	ø37.5	66.9	ø37.5	67.9	156.8	123.6	121.9	117.6	122.1	137.6	142.1	
AC40A-B	□28	38.4	□27.8	48.8	ø42.5	75.7	ø42.5	75.7	186.9	155.6	153.9	149.6	154.1	169.6	174.1	
AC40A-06-B	□28	38.4	□27.8	48.8	ø42.5	75.7	ø42.5	75.7	188.9	157.6	155.9	151.6	156.1	171.6	176.1	
AC50A-B	□28	44.3	□27.8	61.3	ø42.5	80.8	ø42.5	80.8	259.9	228.6	226.9	222.6	227.1	242.6	247.1	
AC60A-B	□28	44.3	□27.8	61.3	ø42.5	80.8	ø42.5	80.8	273.9	242.6	240.9	236.6	241.1	256.6	261.1	

Note) The dimension of C is the length when the filter regulator knob is unlocked.

AC
 AF+AR+AL
 AW+AL
 AF+AR
 AF+AFM+AR
 AW+AFM
 Attachment
 AF
 AFM / AFD
 AR
 AL
 AW