

STRUCTURE	Silicon Monolithic Integrate Circuit
TYPE	Regulator IC for Memory Termination
PRODUCT SERIES	<b>BD3537F</b>
FEATURES	<ul style="list-style-type: none"> <li>• Incorporates a push-pull power supply for termination (VTT)</li> <li>• Compatible with Dual Channel (DDR- II)</li> </ul>

○ ABSOLUTE MAXIMUM RATINGS (Ta=100°C)

Parameter	Symbol	Limit	Unit
Input Voltage	VCC	7 <sup>*1</sup>	V
REF Input Voltage	REF	7 <sup>*1</sup>	V
Termination Input Voltage	VTT_IN	7 <sup>*1</sup>	V
Output Current	ITT	3	A
Power Dissipation1	Pd1	560 <sup>*2</sup>	mW
Power Dissipation2	Pd2	690 <sup>*3</sup>	mW
Operating Temperature Range	Topr	-30~+100	°C
Storage Temperature Range	Tstg	-55~+150	°C
Maximum Junction Temperature	Tjmax	+150	°C

\*1 Should not exceed Pd.

\*2 Reduced by 4.48mW for each increase in Ta of 1°C over 25°C (With no heat sink)

\*3 Reduced by 5.52mW for each increase in Ta of 1°C over 25°C (When mounted on a board 70mm × 70mm × 1.6mm Glass-epoxyPCB)

○ RECOMMENDED OPERATING CONDITIONS (Ta=25°C)

PARAMETER	SYMBOL	MIN	MAX	UNIT
Input Voltage	VCC	4.75	5.25	V
Termination Input Voltage	VTT_IN	1.746	1.854	V
REF Input Voltage	REF	0.6	1.6	V

★ No radiation-resistant design is adopted for the present product.

The Japanese version of this document is the official specification.

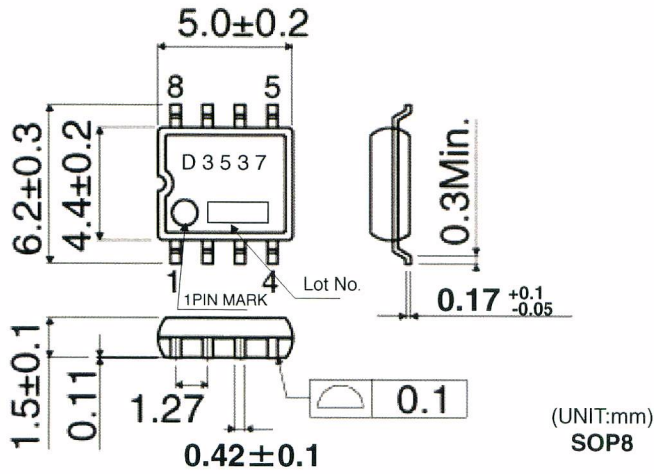
This translated version is intended only as a reference, to aid in understanding the official version.

If there are any differences between the original and translated versions of this document, the official Japanese language version takes priority.

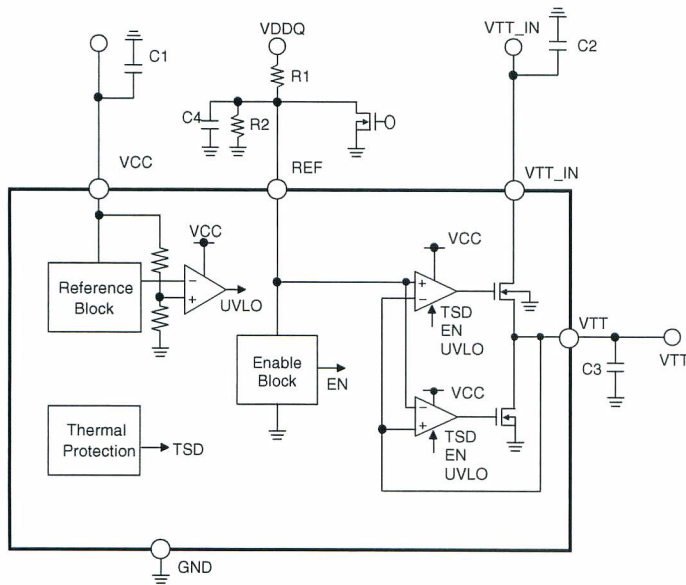
## ○ ELECTRICAL CHARACTERISTICS (Unless otherwise specified, Ta=25°C, VCC=5V REF=0.9V, VTT\_IN=1.8V)

PARAMETER	SYMBOL	LIMIT			UNIT	CONDITIONS
		MIN	TYP	MAX		
Standby Current	IST	-	50	90	uA	REF<0.15V(Shutdown)
Bias Current	ICC	-	1	2.5	mA	REF=0.9V
[Termination Block]						
Termination Output Voltage 1	VTT1	REF-20m	REF	REF+20m	V	ITT=0A
Termination Output Voltage 2	VTT2	REF-20m	REF	REF+20m	V	ITT=-1.8A to 1.8A
Source Current	ITT+	1.8	-	-	A	
Sink Current	ITT-	-	-	-1.8	A	
Upper Side ON Resistance	HRON1	-	0.3	0.5	Ω	
Lower Side ON Resistance	LRON1	-	0.3	0.5	Ω	
[UVLO]						
Threshold Voltage	VUVLO	3.5	3.8	4.1	V	VCC : sweep up
Hysteresis Voltage	ΔVUVLO	100	160	220	mV	VCC : sweep down
[EN Block]						
EN-ON Voltage	V <sub>ENH</sub>	0.6	-	-	V	
EN-OFF Voltage	V <sub>ENL</sub>	-	-	0.15	V	

○PHYSICAL DIMENSIONS



○BLOCK DIAGRAM



○Pin number Pin name

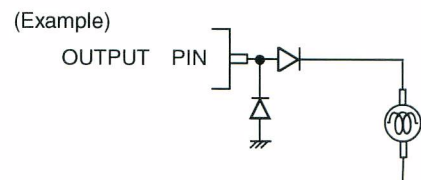
PIN No.	PIN Name
1	VTT_IN
2	GND
3	REF
4	VTT
5	NC
6	VCC
7	NC
8	NC

## ONOTES FOR USE

- (1) Absolute maximum range  
Although the quality of this product is rigorously controlled, and circuit operation is guaranteed within the operation ambient temperature range, the device may be destroyed when applied voltage or operating temperature exceeds its absolute maximum rating. Because the failure mode (such as short mode or open mode) cannot be identified in this instance, it is important to take physical safety measures such as fusing if a specific mode in excess of absolute rating limits is considered for implementation.
- (2) Ground potential  
Make sure the potential for the GND pin is always kept lower than the potentials of all other pins, regardless of the operating mode, including transient conditions.
- (3) Thermal Design  
Provide sufficient margin in the thermal design to account for the allowable power dissipation (Pd) expected in actual use.
- (4) Using in the strong electromagnetic field  
Use in strong electromagnetic fields may cause malfunctions.
- (5) ASO  
Be sure that the output transistor for this IC does not exceed the absolute maximum ratings or ASO value.
- (6) Thermal shutdown circuit  
The IC is provided with a built-in thermal shutdown (TSD) circuit. When chip temperature reaches the threshold temperature shown below, output goes to a cut-off (open) state. Note that the TSD circuit is designed exclusively to shut down the IC in abnormal thermal conditions. It is not intended to protect the IC per se or guarantee performance when extreme heat occurs. Therefore, the TSD circuit should not be employed with the expectation of continued use or subsequent operation once TSD is operated.

TSD ON temperature [°C] (typ.)	Hysteresis temperature [°C] (typ.)
175	15

- (7) GND pattern  
When both a small-signal GND and high current GND are present, single-point grounding (at the set standard point) is recommended, in order to separate the small-signal and high current patterns, and to be sure the voltage change stemming from the wiring resistance and high current does not cause any voltage change in the small-signal GND. In the same way, care must be taken to avoid wiring pattern fluctuations in any connected external component GND.
- (8) Output Capacitor (C3)  
Mount an output capacitor between VTT and GND for stability purposes. The output capacitor is for the open loop gain phase compensation and reduces the output voltage load regulation. If the capacitor value is not large enough, the output voltage may oscillate. And if the equivalent series resistance (ESR) is too large, the output voltage rise/drop increases during a sudden load change. Over 10uF ceramic capacitor that is minimally susceptible to temperature (such as an X5R or X7R) are recommended to connect somewhere near the pins VTT and GND. When a wide range of load change may happen on the application, additionally connecting at least 100uF polymer capacitance (such as OS-CAP) in parallel of the ceramic capacitance can stabilize the output voltage line. However, the stability depends on the characteristics of temperature and load conditions. Please confirm operation across a variety of temperature and load conditions.
- (9) Input Capacitor (C1, C2)  
The input capacitor reduces the output impedance of the voltage supply source connected in the VCC and VTT\_IN. If the output impedance of this power supply increases, the input voltage (VCC,VTT\_IN) may become unstable. This may result in the output voltage oscillation or lowering ripple rejection. A low ESR 1uF capacitor in VCC and 10uF capacitor in VTT\_IN with minimal susceptibility to temperature are preferable, but stability depends on power supply characteristics and the substrate wiring pattern (a parasitic capacitance and impedance). Please confirm operation across a variety of temperature and load conditions.
- (10) Input (VCC, VTT\_IN, REF)  
The VCC, VTT\_IN, and REF are isolated. The UVLO function is integrated to protect faulty operation due to low voltage levels of VCC. And also Enable function is integrated in REF. VTT output voltage starts up when VCC reaches the UVLO threshold level and REF reaches the threshold level (EN-ON) respectively regardless of the start up order in those inputs.
- (11) Input REF (R1 , R2 , C4)  
The REF pin has an enable function. When REF pin voltage reaches the EN-ON threshold voltage, the IC becomes turned on. This IC does not have internal soft start function. The start up time is calculated with time constant value determined by external resistance (R1 and R2) and capacitance (C4).
- (12) Please add a protection diode when a large inductance component is connected to the output terminal, and reverse-polarity power is possible at startup or in output OFF condition



### Notes

- No technical content pages of this document may be reproduced in any form or transmitted by any means without prior permission of ROHM CO.,LTD.
- The contents described herein are subject to change without notice. The specifications for the product described in this document are for reference only. Upon actual use, therefore, please request that specifications to be separately delivered.
- Application circuit diagrams and circuit constants contained herein are shown as examples of standard use and operation. Please pay careful attention to the peripheral conditions when designing circuits and deciding upon circuit constants in the set.
- Any data, including, but not limited to application circuit diagrams information, described herein are intended only as illustrations of such devices and not as the specifications for such devices. ROHM CO.,LTD. disclaims any warranty that any use of such devices shall be free from infringement of any third party's intellectual property rights or other proprietary rights, and further, assumes no liability of whatsoever nature in the event of any such infringement, or arising from or connected with or related to the use of such devices.
- Upon the sale of any such devices, other than for buyer's right to use such devices itself, resell or otherwise dispose of the same, no express or implied right or license to practice or commercially exploit any intellectual property rights or other proprietary rights owned or controlled by
- ROHM CO., LTD. is granted to any such buyer.
- Products listed in this document are no antiradiation design.

The products listed in this document are designed to be used with ordinary electronic equipment or devices (such as audio visual equipment, office-automation equipment, communications devices, electrical appliances and electronic toys).

Should you intend to use these products with equipment or devices which require an extremely high level of reliability and the malfunction of which would directly endanger human life (such as medical instruments, transportation equipment, aerospace machinery, nuclear-reactor controllers, fuel controllers and other safety devices), please be sure to consult with our sales representative in advance.

#### About Export Control Order in Japan

Products described herein are the objects of controlled goods in Annex 1 (Item 16) of Export Trade Control Order in Japan.

In case of export from Japan, please confirm if it applies to "objective" criteria or an "informed" (by MITI clause) on the basis of "catch all controls for Non-Proliferation of Weapons of Mass Destruction.

Thank you for your accessing to ROHM product informations.  
More detail product informations and catalogs are available,  
please contact your nearest sales office.

Please contact our sales offices for details ;

U.S.A / San Diego	TEL : +1(858)625-3630	FAX : +1(858)625-3670
Atlanta	TEL : +1(770)754-5972	FAX : +1(770)754-0691
Dallas	TEL : +1(972)312-8818	FAX : +1(972)312-0330
Germany / Dusseldorf	TEL : +49(2154)9210	FAX : +49(2154)921400
United Kingdom / London	TEL : +44(1)908-282-666	FAX : +44(1)908-282-528
France / Paris	TEL : +33(0)1 56 97 30 60	FAX : +33(0) 1 56 97 30 80
China / Hong Kong	TEL : +852(2)740-6262	FAX : +852(2)375-8971
Shanghai	TEL : +86(21)6279-2727	FAX : +86(21)6247-2066
Dilian	TEL : +86(411)8230-8549	FAX : +86(411)8230-8537
Beijing	TEL : +86(10)8525-2483	FAX : +86(10)8525-2489
Taiwan / Taipei	TEL : +866(2)2500-6956	FAX : +866(2)2503-2869
Korea / Seoul	TEL : +82(2)8182-700	FAX : +82(2)8182-715
Singapore	TEL : +65-6332-2322	FAX : +65-6332-5662
Malaysia / Kuala Lumpur	TEL : +60(3)7958-8355	FAX : +60(3)7958-8377
Philippines / Manila	TEL : +63(2)807-6872	FAX : +63(2)809-1422
Thailand / Bangkok	TEL : +66(2)254-4890	FAX : +66(2)256-6334

Japan /  
(Internal Sales)

Tokyo	2-1-1, Yaesu, Chuo-ku, Tokyo 104-0082	TEL : +81(3)5203-0321	FAX : +81(3)5203-0300
Yokohama	2-4-8, Shin Yokohama, Kohoku-ku, Yokohama, Kanagawa 222-8575	TEL : +81(45)476-2131	FAX : +81(45)476-2128
Nagoya	Dainagayo Building 9F 3-28-12, Meieki, Nakamura-ku, Nagoya, Aichi 450-0002	TEL : +81(52)581-8521	FAX : +81(52)561-2173
Kyoto	579-32 Higashi Shiokouji-cho, Karasuma Nishi-iru, Shiokoujidori, Shimogyo-ku, Kyoto 600-8216	TEL : +81(75)311-2121	FAX : +81(75)314-6559

(Contact address for overseas customers in Japan)

Yokohama	TEL : +81(45)476-9270	FAX : +81(045)476-9271
----------	-----------------------	------------------------