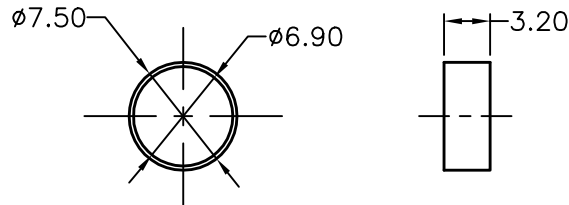
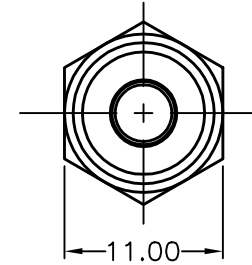
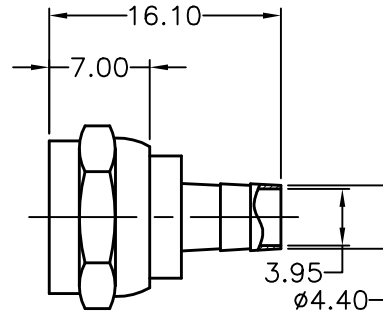
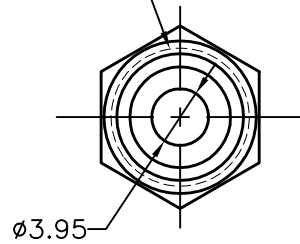


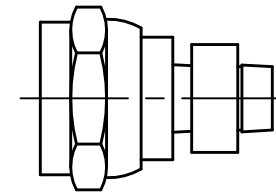
ALL RIGHTS RESERVED. NO PORTION OF THIS PUBLICATION, WHETHER IN WHOLE OR IN PART CAN BE REPRODUCED WITHOUT THE EXPRESS WRITTEN CONSENT OF SPC TECHNOLOGY.

REVISIONS			DOC. NO. SPC-F005 * Effective: 12/21/98 * DCP No: 680					
DCP #	REV	DESCRIPTION	DRAWN	DATE	CHECKD	DATE	APPRVD	DATE
	A	RELEASED	J.C.	7/25/91				
522	B	REDRAWN & UPDATED	SAS	7/27/99	JC	12/1/99	JC	12/1/99

3/8-32 UNEF-2A
COUPLING THREADS




CRIMP FERRULE



ASSEMBLY

Specification:

Body: Brass-nickel plated

<p>DISCLAIMER: ALL STATEMENTS AND TECHNICAL INFORMATION CONTAINED HEREIN ARE BASED UPON INFORMATION AND/OR TESTS WE BELIEVE TO BE ACCURATE AND RELIABLE. SINCE CONDITIONS OF USE ARE BEYOND OUR CONTROL, THE USER SHALL DETERMINE THE SUITABILITY OF THE PRODUCT FOR THE INTENDED USE AND ASSUME ALL RISK AND LIABILITY WHATSOEVER IN CONNECTION THEREWITH.</p>		 SPC TECHNOLOGY		
<p>UNLESS OTHERWISE SPECIFIED, DIMENSIONS ARE FOR REFERENCE PURPOSES ONLY.</p> <p>TOLERANCES: .x ±0.2 [0.008] .xx ±0.12[0.005]</p>	DRAWN BY:	DATE:	DRAWING TITLE:	
	J.C.	7/25/91	"F" PLUGS	
	CHECKED BY:	DATE:	SIZE	DWG. NO.
			A	CPF59-1/8
	APPROVED BY:	DATE:	ELECTRONIC FILE	REV
			32N1129.DWG	B
			SCALE: NTS	U.O.M.: MILLIMETERS
			SHEET: 1 OF 1	