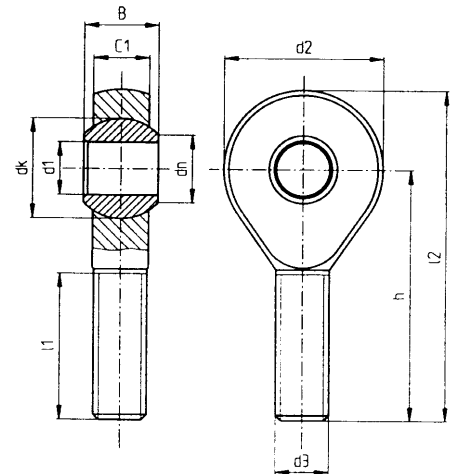


72-9350
igubal® articulated head

Size range K
Form A
Description to DIN 648

Delivery period: from stock



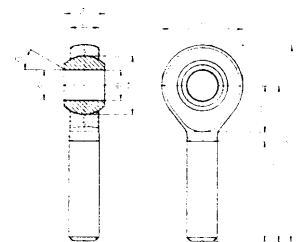
Metrical sizes

Article No.

Right-hand thread	Left-hand thread	d ₁ ¹⁾ (E10)	d _n	d ₂	d ₃	d _k	C ₁	B	h	ℓ ₁	ℓ ₂
KARM-05	KALM-05	5	7,7	18	M05	11,1	6,0	8	33	19	42
KARM-06	KALM-06	6	8,9	20	M06	12,7	7,0	9	36	21	46
KARM-08	KALM-08	8	10,3	24	M08	15,8	9,0	12	42	25	55
KARM-10	KALM-10	10	12,9	30	M10	19,0	10,5	14	48	28	63
KARM-12	KALM-12	12	15,4	34	M12	22,2	12,0	16	54	32	71
KARM-14	KALM-14	14	16,8	38	M14	25,4	13,5	19	61	36	79
KARM-16	KALM-16	16	19,3	42	M16	28,5	15,0	21	66	37	88
KARM-18	KALM-18	18	21,8	46	M18x1,5	31,7	16,5	23	72	41	96
KARM-20	KALM-20	20	24,3	50	M20x1,5	34,9	18,0	25	78	45	104
KARM-22	KALM-22	22	25,8	56	M22x1,5	38,1	20,0	28	84	48	112
KARM-25	KALM-25	25	29,5	61	M24x2,0	42,8	22,0	31	94	55	125
KARM-30	KALM-30	30	34,8	71	M30x2,0	50,8	25,0	37	110	66	147

Special metrical sizes

Right-hand thread	Left-hand thread	d ₁ ¹⁾ (E10)	d _n	d ₂	d ₃	d _k	C ₁	B	h	ℓ ₁	ℓ ₂
KARM-10 M 10 x 1,25	KALM-10 M 10 x 1,25 LH	10	12,9	30	M10x1,25	19,0	10,5	14	43	28	63
KARM-12 M 12 x 1,25	KALM-12 M 12 x 1,25 LH	12	15,4	34	M12x1,25	22,2	12,0	10	50	32	71
KARM-16 M 16 x 1,5	KALM-16 M 16 x 1,5 LH	16	19,3	42	M16x1,5	28,5	15,0	21	64	37	88
KARM-20 M 20	KALM-20 M 20 LH	20	24,3	50	M20	34,9	18,0	25	77	45	104



Inch sizes

Right-hand thread	Left-hand thread	d ₁ ¹⁾ (E10)	d _n	d ₂	d ₃	d _k	C ₁	B	h	ℓ ₁	ℓ ₂
KARI-03	KALI-03	.1900	.307	.625	10-32	.438	.234	.312	1.250	.750	1.563
KARI-04	KALI-04	.2500	.354	.750	1/4-28	.516	.250	.375	1.562	1.000	1.937
KARI-05	KALI-05	.3125	.447	.875	5/16-24	.625	.312	.437	1.875	1.250	2.313
KARI-06	KALI-06	.3750	.504	1.000	3/8-24	.718	.359	.500	1.938	1.250	2.438
KARI-07	KALI-07	.4375	.601	1.125	7/16-20	.828	.406	.562	2.125	1.375	2.688
KARI-08	KALI-08	.5000	.700	1.312	1/2-20	.938	.453	.625	2.438	1.500	2.094
KARI-10	KALI-10	.6250	.838	1.500	5/8-18	1.125	.484	.750	2.625	1.625	3.375
KARI-12	KALI-12	.7500	.978	1.750	3/4-16	1.312	.593	.875	2.875	1.750	3.750
KARI-16	KALI-16	1.0000	1.269	2.750	1-12	1.875	1.000	1.375	4.125	2.125	5.500

¹⁾ Barrel gauge test