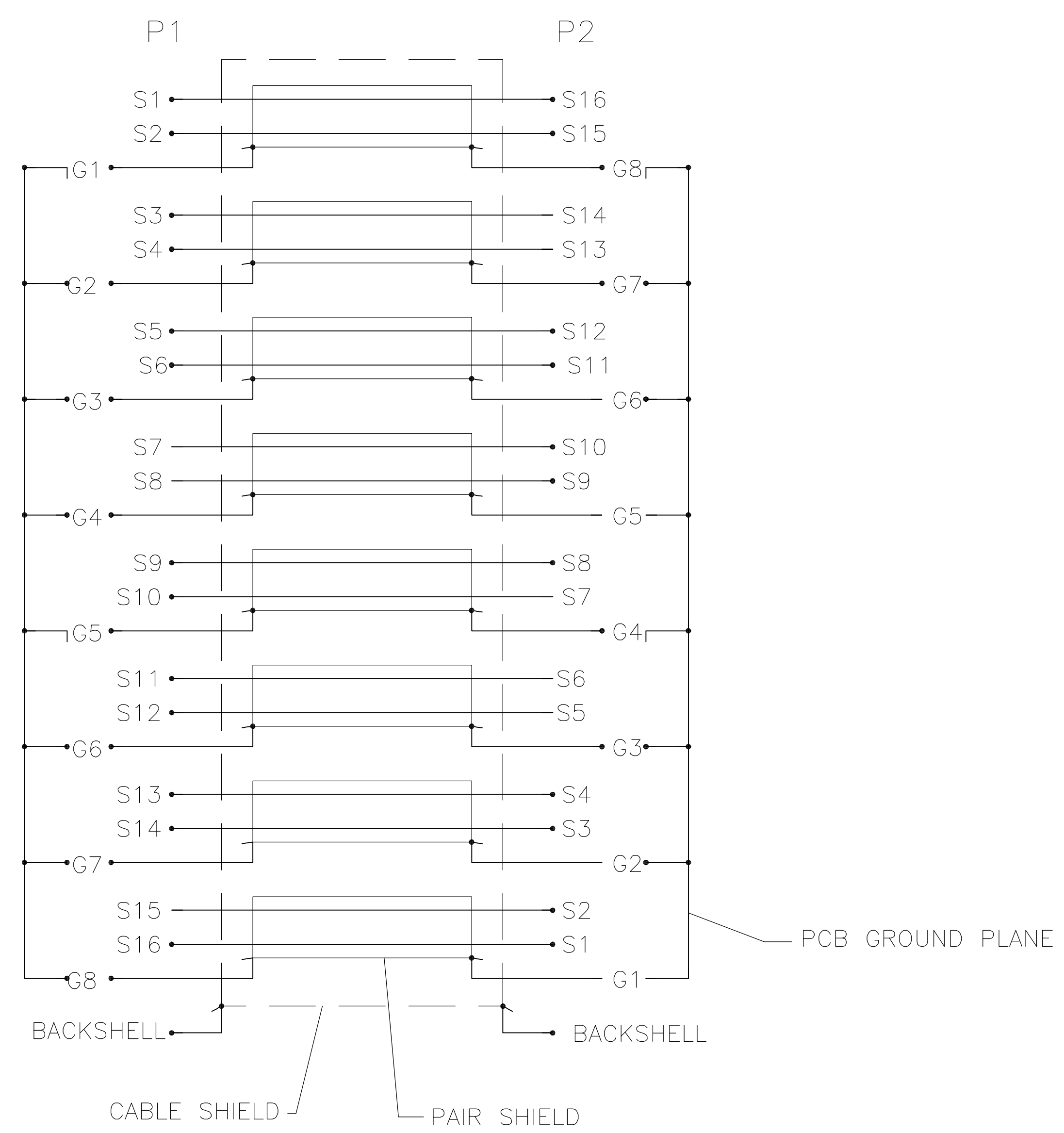
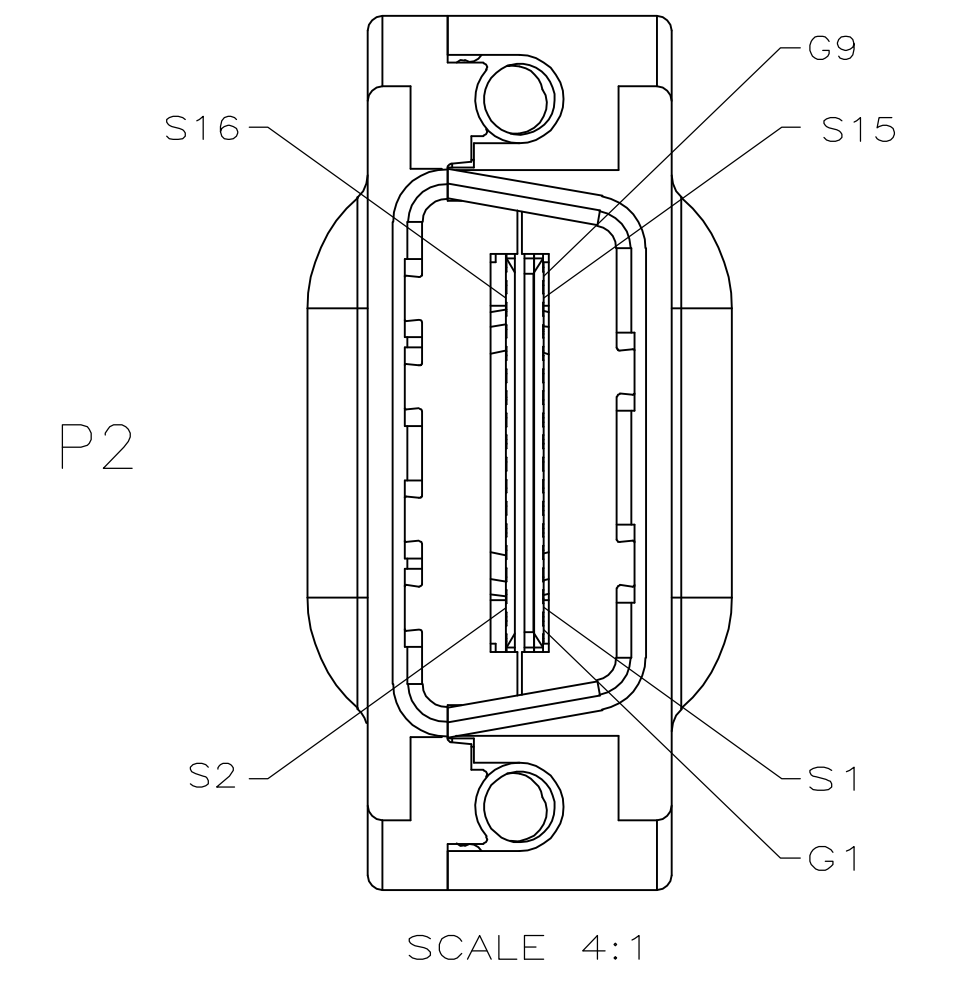
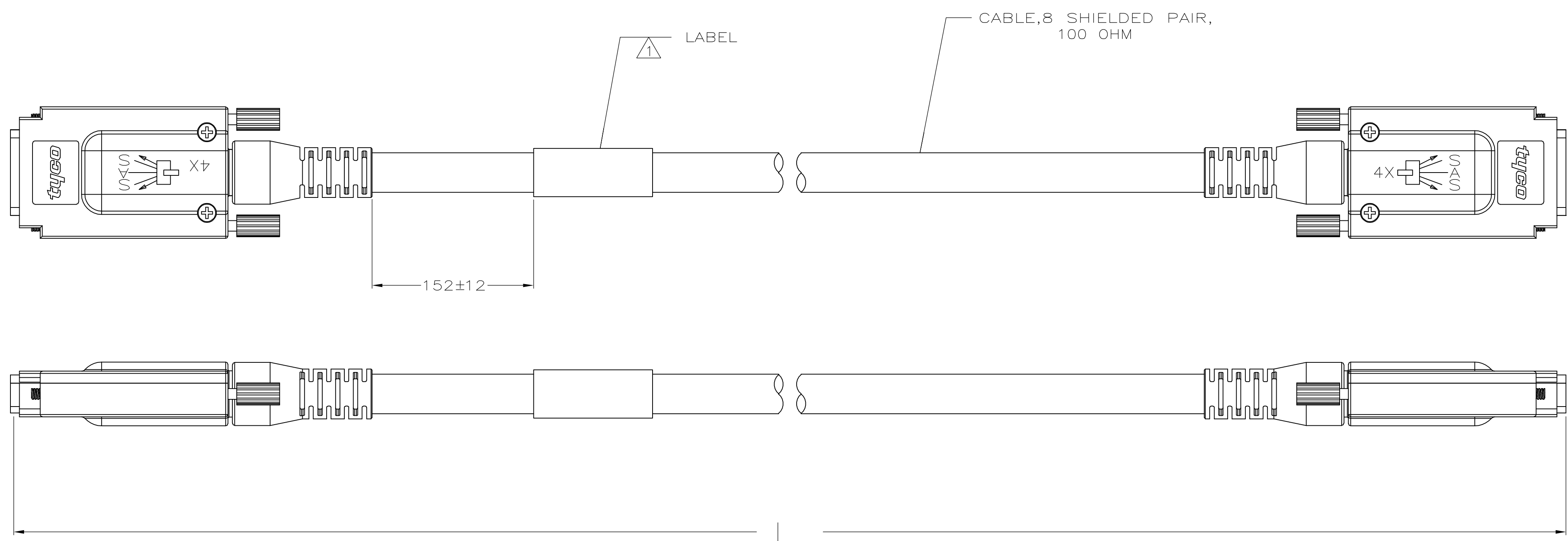
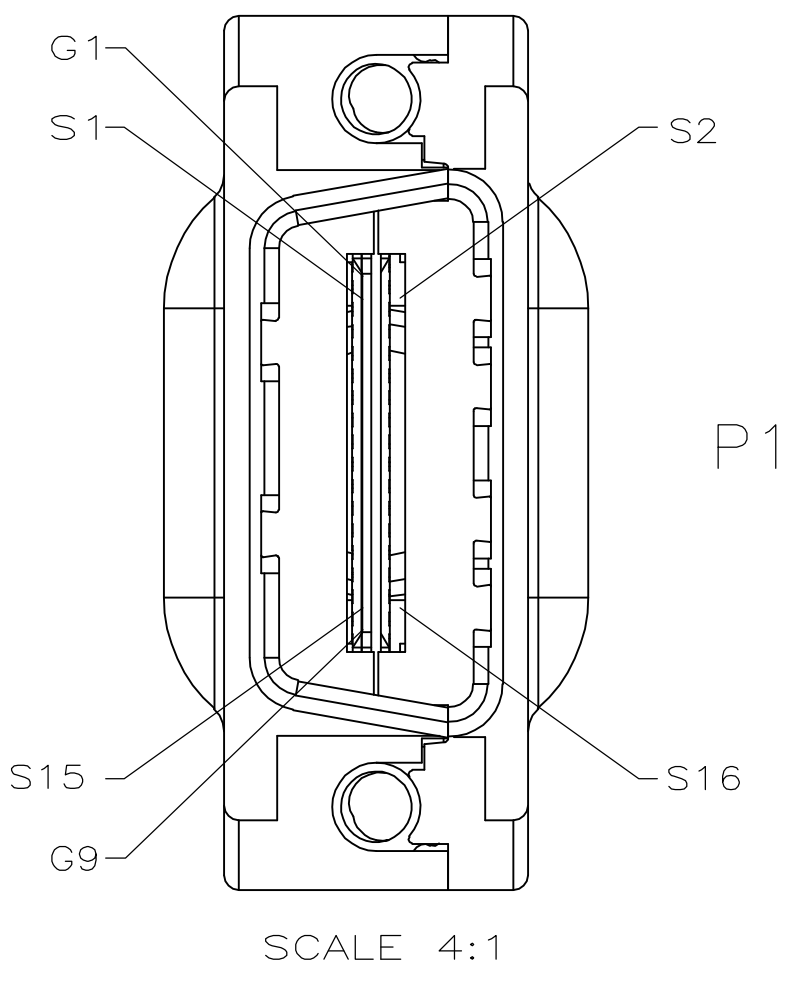


LOC		DIST		REVISIONS			
F	LTR	DESCRIPTION	DATE	DRN	APVD		
C2		MAKE "SAS" AT CENTER OF CONNECTOR	23NOV06	E.W	HD		



⚠ LABEL INFORMATION:

TYCO	← DATE CODE
TYCO PART NUMBER	← COUNTRY OF ORIGIN
SAS 3.0 Gbps	
YYWW	
MADE IN _____	

NOT RELEASED FOR PRODUCTION	28	0.3M±0.04	1-1812765-4
NOT RELEASED FOR PRODUCTION	28	0.6M±0.04	1-1812765-3
	28	1.5M±0.07M	1-1812765-2
	24	10M±0.1M	1-1812765-1
	24	9M±0.1M	1-1812765-0
	24	8M±0.1M	1812765-9
	24	7M±0.07M	1812765-8
	28	6M±0.07M	1812765-7
	28	5M±0.07M	1812765-6
	28	4M±0.07M	1812765-5
	28	3M±0.07M	1812765-4
	28	2M±0.07M	1812765-3
	28	1M±0.04M	1812765-2
	28	0.5M±0.04M	1812765-1
CABLE SIZE AWG	L		PART NO

THIS DRAWING IS A CONTROLLED DOCUMENT.

DWN	T.SMITH	25OCT04	tyco Electronics	Tyco Electronics Corporation	
CHK	F.MORANA	25OCT04		Harrisburg, Pa 17105-3608	
APP'D	F.MORANA	25OCT04	NAME	CABLE ASSY, SAS TO SAS	
DIMENSIONS: mm			PRODUCT SPEC	SIZE	
TOLERANCES UNLESS OTHERWISE SPECIFIED:			APPLICATION SPEC	CAGE CODE	
0 PLC	±	-	---	DRAWING NO	
1 PLC	±	-	---	RESTRICTED TO	
2 PLC	±	-	---	A1	
3 PLC	±	-	---	00779	
4 PLC	±	-	---	©=1812765	
ANGLES	±	-	---	1812765	
FINISH	±	-	---	SCALE 1:1	
MATERIAL	-	-	---	SHEET 1 OF 1	
CUSTOMER DRAWING			---	REV C2	