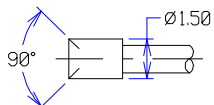
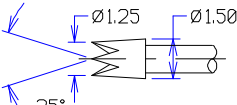
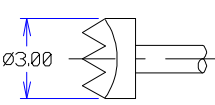
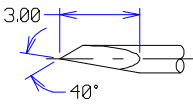
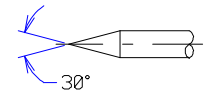
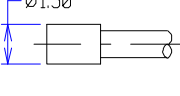
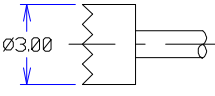
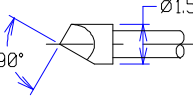
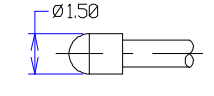
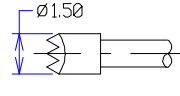
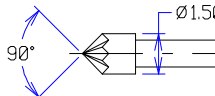
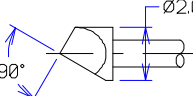
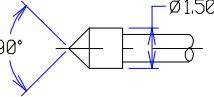
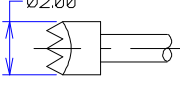
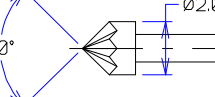
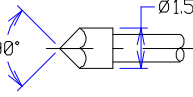
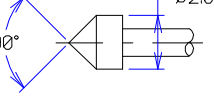
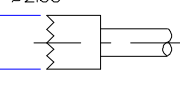
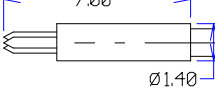
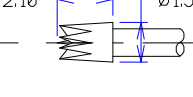
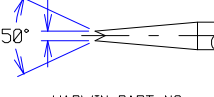
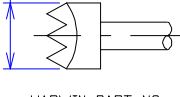
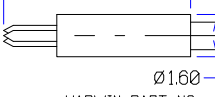
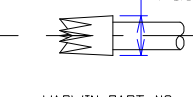
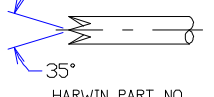
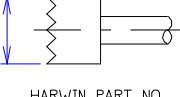



PROBE HEAD VARIANTS

| | | | |
|---|---|---|---|
|  <p>HARWIN PART NO. P25-1126</p> |  <p>HARWIN PART NO. P25-3226</p> |  <p>HARWIN PART NO. P25-4526</p> |  <p>HARWIN PART NO. P25-6526</p> |
|  <p>HARWIN PART NO. P25-0126</p> |  <p>HARWIN PART NO. P25-0626</p> |  <p>HARWIN PART NO. P25-4626</p> |  <p>HARWIN PART NO. P25-6226</p> |
|  <p>HARWIN PART NO. P25-0226</p> |  <p>HARWIN PART NO. P25-4026</p> |  <p>HARWIN PART NO. P25-5026</p> |  <p>HARWIN PART NO. P25-6326</p> |
|  <p>HARWIN PART NO. P25-2026</p> |  <p>HARWIN PART NO. P25-4126</p> |  <p>HARWIN PART NO. P25-5126</p> |  <p>HARWIN PART NO. P25-1826</p> |
|  <p>HARWIN PART NO. P25-2126</p> |  <p>HARWIN PART NO. P25-4226</p> |  <p>HARWIN PART NO. P25-7126</p> |  <p>HARWIN PART NO. P25-1626</p> |
|  <p>HARWIN PART NO. P25-3426</p> |  <p>HARWIN PART NO. P25-4326</p> |  <p>HARWIN PART NO. P25-7326</p> |  <p>HARWIN PART NO. P25-1726</p> |
|  <p>HARWIN PART NO. P25-3526</p> |  <p>HARWIN PART NO. P25-4426</p> |  <p>HARWIN PART NO. P25-6426</p> | |

NOTES:

1. TO BE USED WITH SLEEVES S25-XX6.
2. MINIMUM CENTRES = 2.54mm.
3. MATERIALS AND FINISH:

PLUNGER = HEAT TREATED BERYLLIUM
COPPER, RHODIUM PLATED
OVER HARD NICKEL

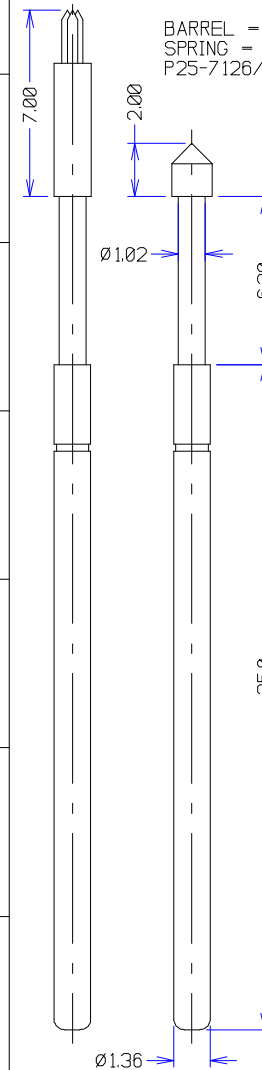
BARREL = PHOSPHOR BRONZE, GOLD PLATED
SPRING = MUSIC WIRE, GOLD PLATED
P25-7126/7326 TIPS = HIGH CARBON STEEL,
NICKEL PLATED

SPECIFICATIONS:

FULL TRAVEL = 6.30mm
SPRING FORCE =
1.47N (150g) @ 6.30mm
CURRENT RATING = 3 AMPS
CONTACT RESISTANCE =
50 MILLIOHMS

ORDER CODE:
P25-XX26
PROBE HEAD
VARIANT (SEE TABLE)

CUSTOMER
INFORMATION
SHEET



| | | |
|------------------|----------|------|
| 1 | 14.01.97 | ---- |
| ISS. | DATE | C/N |
| APPROVED: | | |
| CHECKED: | | |
| DRAWN: W. BOURNE | | |
| CUSTOMER REF. | | |
| ASSEMBLY DRG: | | |



| | | | |
|--|--|--|--|
| HARWIN INC U.S.A. TEL: (812) 285 0055 FAX: (812) 285 0056 | HARWIN PLC UK TEL: 01705 370451 FAX: 01705 314590 | HARWIN PTE SINGAPORE TEL: 65 77949009 FAX: 65 7793868 | HARWIN CONNECTORS KOREA TEL: 822 521 0747 FAX: 822 521 0749 |
|--|--|--|--|

TOLERANCES
X = ±1mm
XX = ±0.25mm
XXX = ±0.10mm
XXXX = ±0.01mm
ANGLES = ±1'
UNLESS STATED

MATERIAL:

SEE NOTE 3

FINISH:

SEE NOTE 3

S/AREA:

mm²

TITLE:

2.54mm MIN. CENTRE
TWO-PIECE SPRING PROBE

DRAWING NUMBER:

P25-XX26

SHT
2
OF
2