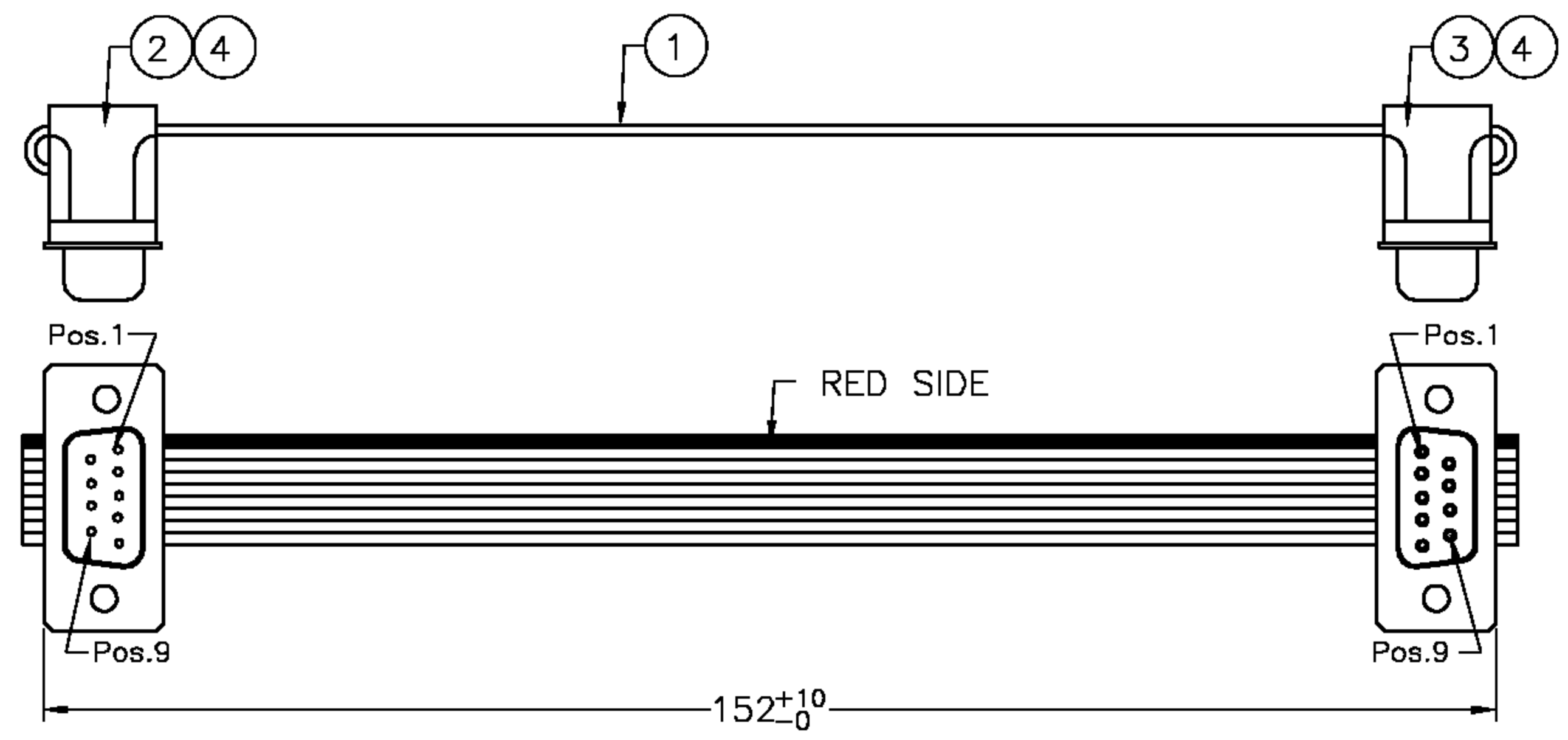


USED ON —



TYCO P/N: 1537731-1
 CUSTOMER P/N: EB-GCN-04-248-01-9

QTY	U/M	PART NO.	DESCRIPTION	ITEM
2	PC		STRAIN RELIEF FOR 9 PIN	4
1	PC		DB9 FEMALE, IDC TYPE, FOR WIRE 28AWG INSULATION: BLACK	3
1	PC		DB9 MALE, IDC TYPE, FOR WIRE 28AWG INSULATION: BLACK	2
AR	MR		UL2651 28AWG 9C, 1.27MM PITCH, GRAY	1

DWN	21JUL04	MATERIAL	—	HEAT TREAT	—
BOVEY LIU		CHK	—		—
PHILIP YANG	20AUG04	APVD	—		—
SINGOL HE	20AUG04	Tyco Electronics Corporation Harrisburg, PA 17105			
NAME: DB9M TO DB9F FLAT CABLE ASSEMBLY					
SCALE	SIZE	DRAWING NO	SHEET	OF	REV
N.T.S.	A3	1537731	1	1	A

DIMENSIONS:		TOLERANCES UNLESS OTHERWISE SPECIFIED:	
MM		0 PLC	± —
		1 PLC	± —
		2 PLC	± —
		3 PLC	± —
		4 PLC	± —
ANGLES ±	—		
SURFACE TEXTURE	√		

	A	ECN-0412333	22NOV04	BL	KL
P	LTR	REVISION RECORD	DATE	DWN	APVD

LOC
HS
DIST
00

DWG NO 1537731
 THIS DRAWING IS A CONTROLLED DOCUMENT.

THIS INFORMATION IS CONFIDENTIAL AND PROPRIETARY TO TYCO ELECTRONICS CORPORATION AND ITS WORLDWIDE SUBSIDIARIES AND AFFILIATES. IT MAY NOT BE DISCLOSED TO ANYONE, OTHER THAN TYCO ELECTRONICS PERSONNEL, WITHOUT WRITTEN AUTHORIZATION FROM TYCO ELECTRONICS CORPORATION, HARRISBURG, PENNSYLVANIA USA.