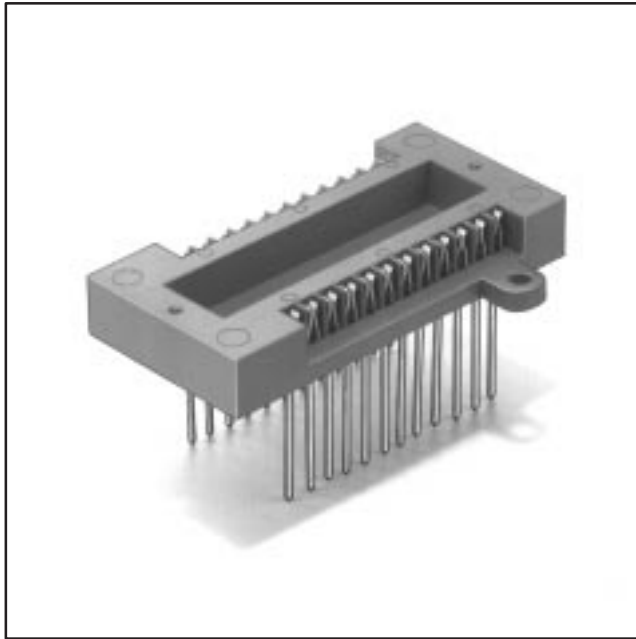


# Receptacles for DIP Sockets



- Matching receptacle for every ZIP DIP Socket, including “Universal DIP” and “Shrink DIP”
- Mounting flanges hold receptacle to board
- Pre-tapped holes in receptacle body mate with screw-hole in socket to hold socket firmly to receptacle (2 screws provided with each receptacle)
- Available in wire-wrap and solder-tail options, with and without mounting flanges

Date Issued: August 18, 2000

TS-0454-11  
Sheet 1 of 3

43

---

## Physical

### Insulation

Material: Glass Filled Polysulfone  
Flammability: UL 94V-0  
Color: Green

**Marking:** 3M Log & Part Number Identifier

### Contact

Material: Beryllium Copper  
Plating: 30  $\mu$ " (.076  $\mu$ m) Gold – MIL-G-45204, Type II, Grade C, over 50  $\mu$ " (1.3  $\mu$ m)  
Nickel – QQ-N-290A, Class 2

---

## Environmental

**Current Rating:** 1 Amp  
**Insulation Resistance:**  $>1 \times 10^9 \Omega$  at 500 Vdc  
**Withstanding Voltage:** 1000 Vrms at Sea Level

---

## Environmental

**Operating Temperature Rating:** - 55 °C to + 150 °C

---

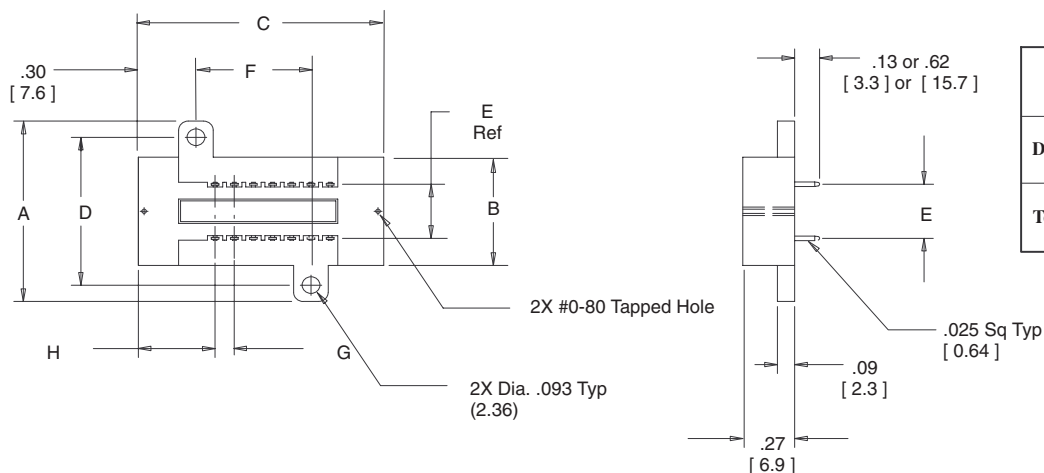
### 3M Electronic Handling and Protection Division

6801 River Place Blvd.  
Austin, TX 78726-9000

For technical, sales or ordering information call 800-328-0411  
or visit our website: <http://www.3M.com/ehpd>

# Receptacle for DIP Sockets

Receptacle Part Numbers	Dimensions									
	A	B	C	D	E	F	G	H		
214-3339-XX	1.00 [ 25.4 ]	.60 [ 15.2 ]	1.28 [ 32.5 ]	.820 [ 20.83 ]	.300 [ 7.62 ]	.600 [ 15.26 ]	.100 [ 2.54 ]	.40 [ 10.2 ]		
216-3340-XX	.96 [ 24.4 ]	.56 [ 14.2 ]	1.37 [ 34.8 ]	.773 [ 19.63 ]	.300 [ 7.62 ]	.700 [ 17.78 ]				
218-3341-XX	.95 [ 24.1 ]	.55 [ 14.0 ]	1.49 [ 37.8 ]	.770 [ 19.56 ]		.804 [ 20.42 ]				
220-3342-XX	1.00 [ 25.4 ]	.60 [ 15.2 ]	1.58 [ 40.1 ]	.820 [ 20.83 ]		.900 [ 22.86 ]				
222-3343-XX	1.06 [ 26.9 ]	.65 [ 16.5 ]	1.69 [ 42.9 ]	.870 [ 22.09 ]	.400 [ 10.16 ]	1.005 [ 25.53 ]			.070 [ 1.78 ]	.41 [ 10.4 ]
224-1275-XX	1.26 [ 32.0 ]	.86 [ 21.8 ]	1.77 [ 45.0 ]	1.080 [ 27.43 ]	.600 [ 15.24 ]	1.100 [ 7.62 ]				
224-5248-XX	.96 [ 24.4 ]	.56 [ 14.2 ]		.773 [ 19.63 ]	.300 [ 7.62 ]					
228-1277-XX	1.26 [ 32.0 ]	.86 [ 21.8 ]	1.98 [ 50.3 ]	1.085 [ 27.56 ]	.600 [ 15.24 ]	1.300 [ 33.02 ]				
228-4817-XX	1.06 [ 26.9 ]	.66 [ 16.8 ]		.887 [ 22.53 ]	.400 [ 10.16 ]	1.301 [ 33.05 ]				
228-1290-XX	1.09 [ 27.9 ]	.70 [ 17.8 ]	1.59 [ 40.5 ]	.92 [ 23.4 ]		.970 [ 24.74 ]				
232-1285-XX	1.25 [ 32.0 ]	.86 [ 21.9 ]	2.17 [ 55.2 ]	1.08 [ 27.5 ]	.600 [ 15.24 ]	1.500 [ 38.10 ]	.100 [ 2.54 ]	.40 [ 10.2 ]		
240-3639-XX	1.66 [ 42.2 ]	1.26 [ 32.0 ]	2.58 [ 65.5 ]	1.480 [ 37.59 ]	1.000 [ 25.4 ]	1.900 [ 48.26 ]				
240-1280-XX	1.27 [ 32.3 ]	.86 [ 21.8 ]		1.085 [ 27.56 ]	.600 [ 15.24 ]	1.900 [ 48.26 ]				
242-1293-XX	1.30 [ 33.0 ]	.90 [ 22.9 ]	2.08 [ 52.9 ]	1.12 [ 28.5 ]	.600 [ 15.24 ]	1.460 [ 37.08 ]				
242-1281-XX	1.26 [ 32.0 ]	.86 [ 21.8 ]	2.68 [ 68.1 ]	1.080 [ 27.43 ]	.600 [ 15.24 ]	2.00 [ 50.80 ]	.100 [ 2.54 ]	.40 [ 10.2 ]		
248-1282-XX	1.25 [ 31.8 ]		2.98 [ 75.8 ]	1.070 [ 27.18 ]	.600 [ 15.24 ]	2.500 [ 63.50 ]			.50 [ 12.7 ]	
264-1300-XX	1.52 [ 38.5 ]	1.11 [ 28.3 ]	2.85 [ 72.5 ]	1.34 [ 34.0 ]	.800 [ 20.32 ]	2.230 [ 56.64 ]	.070 [ 1.78 ]	.41 [ 10.4 ]		
264-4493-XX	1.70 [ 43.2 ]	1.30 [ 33.0 ]	3.95 [ 100.3 ]	1.520 [ 38.61 ]	.900 [ 22.86 ]	3.243 [ 82.37 ]	.100 [ 2.54 ]	.50 [ 12.7 ]		
290-1294-XX	1.61 [ 40.8 ]	1.19 [ 30.2 ]	3.77 [ 95.7 ]	1.42 [ 36.0 ]		3.150 [ 80.01 ]	.070 [ 1.78 ]	.41 [ 10.4 ]		



Dimension	Tolerance	
	inch	(mm)
	.00 (.0)	.000 (.00)
Tolerance	± .010 (± .25)	± .005 (± .13)

TS-0454-11  
Sheet 2 of 3

## 3M Electronic Handling and Protection Division

6801 River Place Blvd.  
Austin, TX 78726-9000

For technical, sales or ordering information call **800-328-0411**  
or visit our website: <http://www.3M.com/ehpd>

# Receptacles for DIP Sockets

Ordering Information			
Receptable Part Numbers	Contact Quantity	Dimensions	
		Contact Spacing	Distance Between Rows
3 214-3339-XX-0602J	14	.100 [2.54 ]	.300 [ 7.62 ]
3 216-3340-XX-0602J	16		
3 218-3341-XX-0602J	18		
3 220-3342-XX-0602J	20		
3 222-3343-XX-0602J	22		
1 224-1275-XX-0602J	24		.600 [ 15.24 ]
3 224-5248-XX-0602J			.300 [ 7.62 ]
1 228-1277-XX-0602J	28		.600 [ 15.24 ]
3 228-4817-XX-0602J			.400 [ 10.16 ]
2 228-1290-XX-0602J			.070 [ 1.78 ]
1 232-1285-XX-0602J	32	.100 [2.54 ]	.600 [15.24 ]
3 240-3639-XX-0602J	40		1.000 [25.40 ]
1 240-1280-XX-0602J		42	.070 [ 1.78 ]
2 242-1293-XX-0602J			
1 242-1281-XX-0602J	.100 [2.54 ]		
1 248-1282-XX-0602J		48	
2 264-1300-XX-0602J	64	.070 [ 1.78 ]	.800 [ 20.32 ]
3 264-4493-XX-0602J		.100 [2.54 ]	
2 290-1294-XX-0602J		.070 [ 1.78 ]	.900 [ 22.86 ]

Contact Tail Length:

XX = 09, .13 [ 3.3 ] Solder Tail w/ flanges  
 = 19, .62 [ 15.8 ] Wire Wrap w/ flanges  
 = 29, .13 [ 3.3 ] Solder Tail w/out flanges  
 = 39, .62 [ 15.8 ] Wire Wrap w/out flanges

- 1 Available with -09, -19, -29 and -39 options.
- 2 Only available with the -09 & -29 option for the .070" (1.78 mm) spacing
- 3 Only available with -09 and -19 options