

MICROSWITCH JOYSTICK - STOCK NO. 989-5736

1000 SERIES

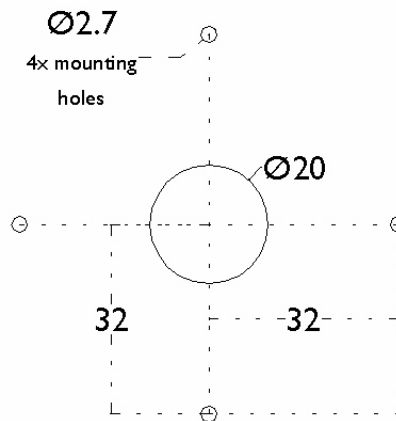
The **FARNELL** switch joystick is the ideal choice for single step switching applications, where a compact, robust joystick is required, that is capable of switching up to 15A

Supplied with a new, comfortable knob the joystick is designed for sub panel mounting via the use of the 4 x M2.5 screws supplied.

The operating mode of the joystick is defined by the use of the supplied limiter plates. Selection of the required limiter will enable single, axis, dual axes, cross or diagonal operation.

The joystick is supplied with industry standard V3 micro-switches, configured with changeover contacts carrying a nominal 15A/250V AC rating.

MOUNTING DIMENSIONS



TECHNICAL SPECIFICATION

Switch type	V3
Number of switches	4
Nominal current	15 Amp
Maximum voltage	250V AC
Contacts	Changeover
Termination	Solder
Contact life	Load dependent
Temperature range	-20 to +50C
Environmental	IP65 (above panel)
Mechanical life	>5 million cycles
Lever travel	+/- 12 degrees from centre
Lever material	Stainless steel
Lever diameter	4mm nominal
Body material	Material filled nylon-6
Knob material	Nylon
Gaiter material	Santoprene
Mounting	4 X M2.5x25mm Stainless