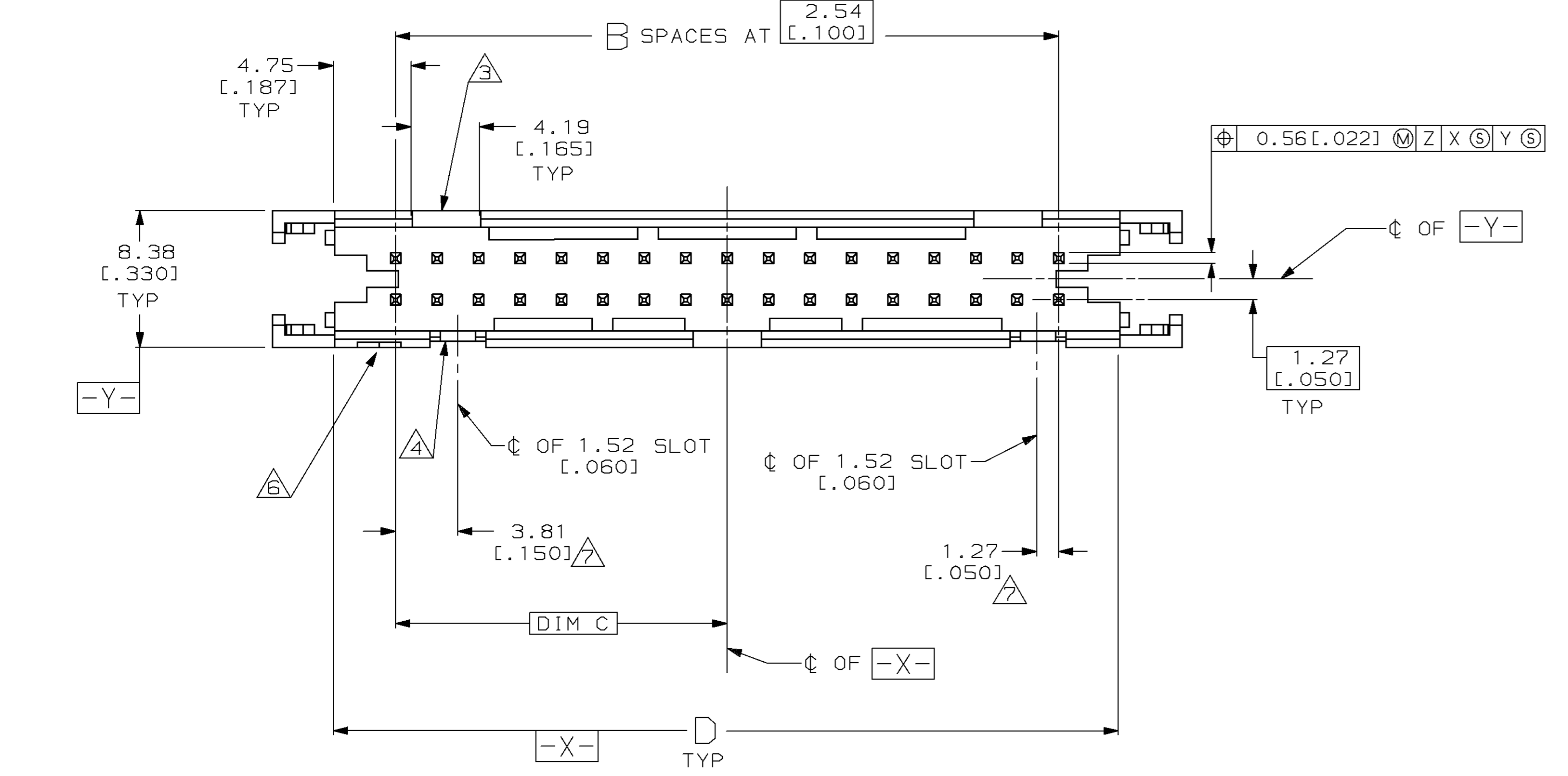
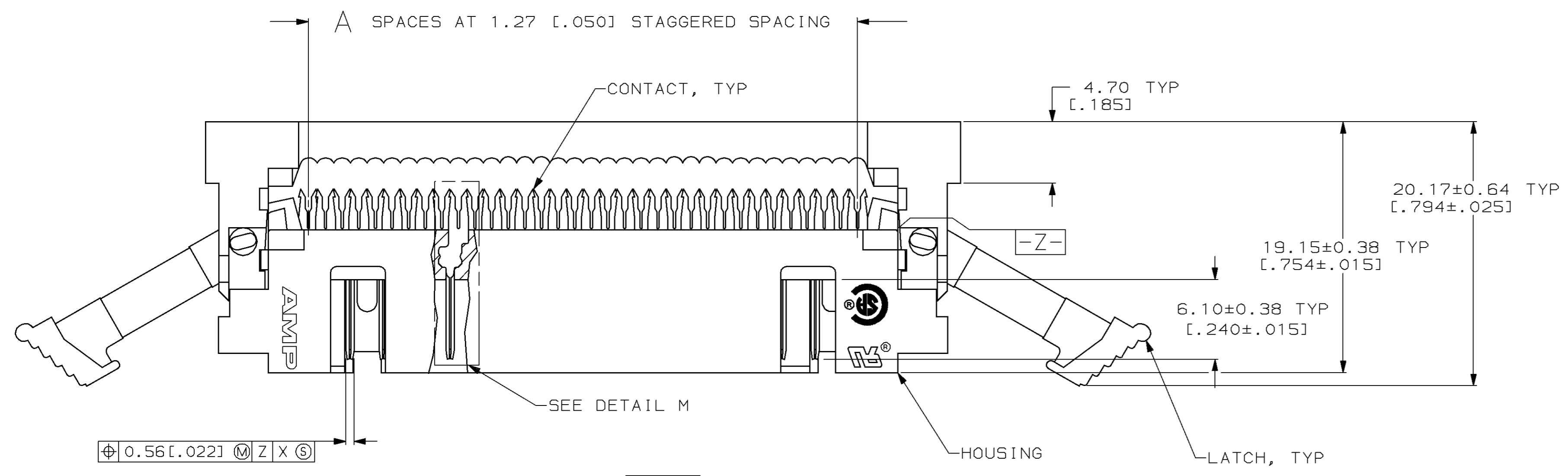
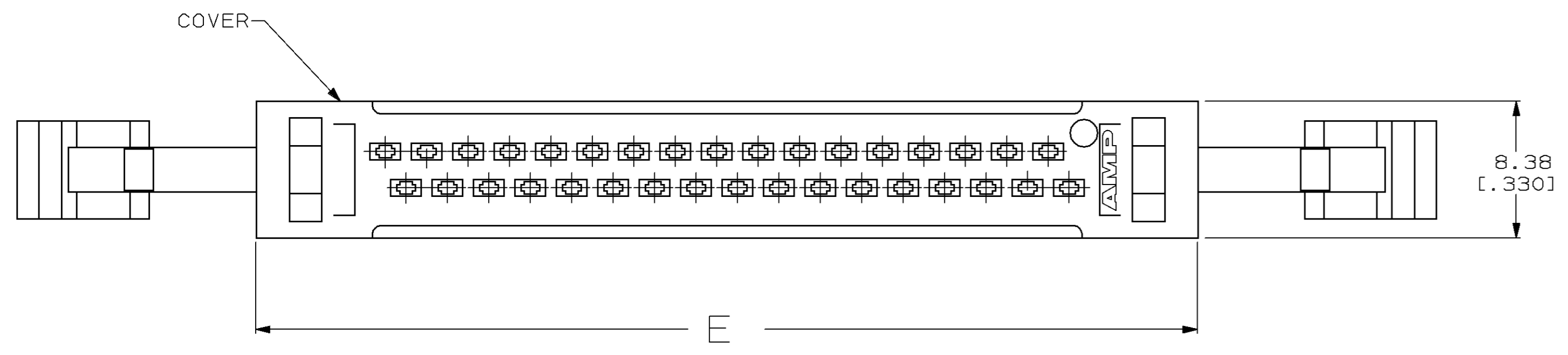
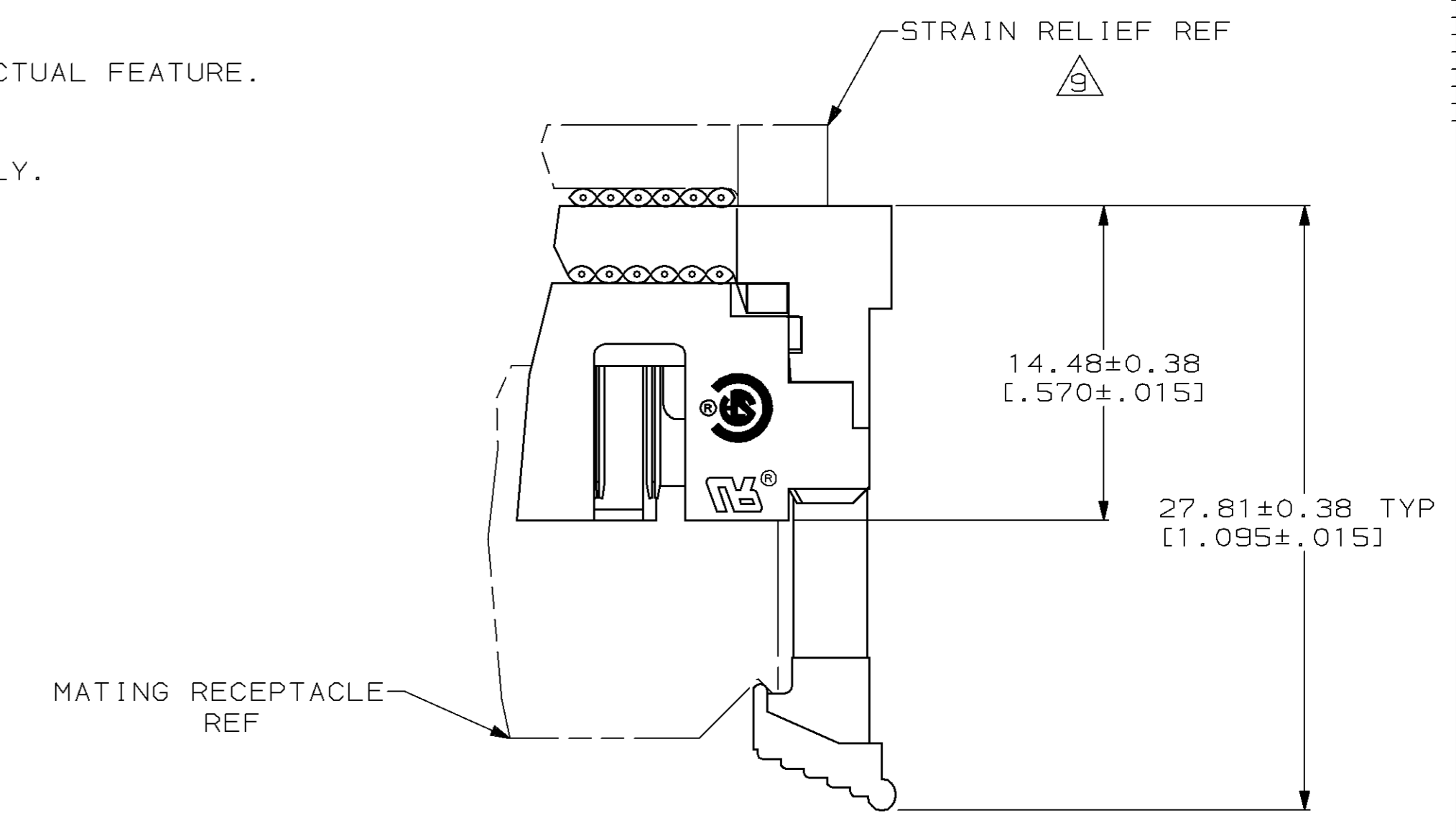


- △ FLAME RETARDANT 94V-0 RATED THERMOPLASTIC; BLACK.
- △ 2.54µm [.000100] MIN BRIGHT TIN-LEAD ON TERMINATION END, 0.76µm [.000030] MIN GOLD ON CONTACT AREA, ALL OVER 1.27µm [.000050] MIN NICKEL.
- △ NO SLOT ON THIS END FOR 10 AND 14 POSITION HOUSINGS.
- △ NO SLOT FOR SNAP-IN POLARIZER ON THIS END FOR 10 AND 14 POSITION HOUSINGS.
- 5. FOR MILITARY POLARIZATION, ORDER SNAP-IN POLARIZER 499991-2 (BULK PACK OF 50).
- △ POSITION NO 1 INDICATOR.
- △ COORDINATE DIMENSION APPLIES FROM CENTER OF ACTUAL FEATURE.
- △ PHOSPHOR BRONZE PER QQ-B-750.
- △ STRAIN RELIEF 111547 MUST BE ORDERED SEPARATELY.

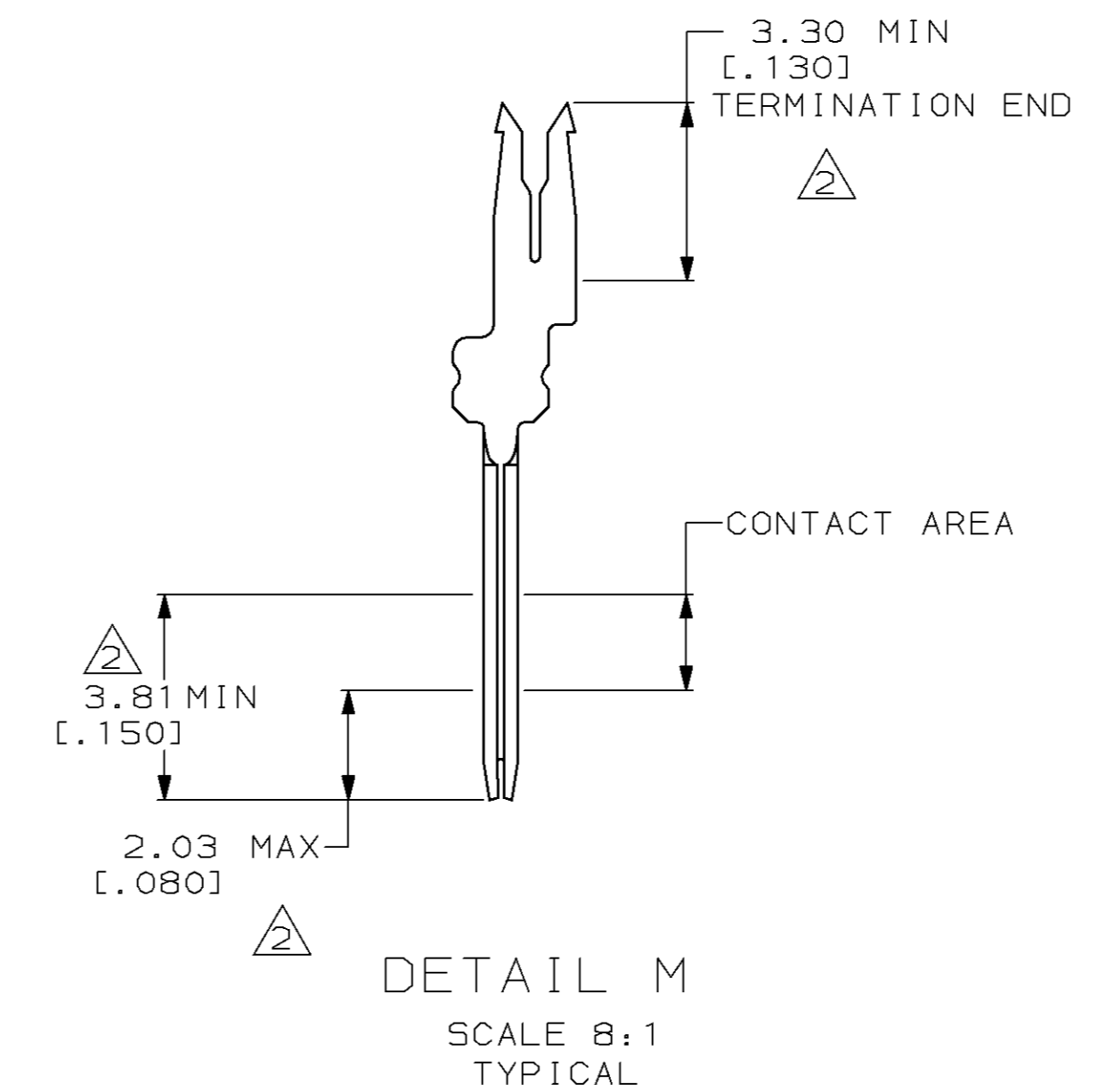
LOC	DIST	P	F	ZONE	LTR	DESCRIPTION	DATE	APPD
AR	35							
						RLSE PER NPR 3028 WAS 90-5131-17	8-10-90	-
						REV PER ECN BD4933	4-18-91	FMH
						REV PER EC 0020-53-94	05/02/94	DK
						REV PER EC 0020-1023-95	21 SEP 95	KD



COVER AND LATCH NOT SHOWN IN THIS VIEW FOR CLARITY



TERMINATED ASSEMBLY (ASSEMBLED BY CUSTOMER)



95.81 [3.772]	86.21 [3.394]	39.37 [1.550]	31	63	64	1-111504-3
89.59 [3.527]	81.13 [3.194]	36.83 [1.450]	29	59	60	1-111504-2
78.03 [3.072]	68.43 [2.694]	30.48 [1.200]	24	49	50	1-111504-1
70.41 [2.772]	60.81 [2.394]	26.67 [1.050]	21	43	44	1-111504-0
65.33 [2.572]	55.73 [2.194]	24.13 [0.950]	19	39	40	111504-9
57.71 [2.272]	48.11 [1.894]	20.32 [0.800]	16	33	34	111504-8
52.63 [2.072]	43.03 [1.694]	17.78 [0.700]	14	29	30	111504-7
47.55 [1.872]	37.95 [1.494]	15.24 [0.600]	12	25	26	111504-6
45.01 [1.772]	35.41 [1.394]	13.97 [0.550]	11	23	24	111504-5
39.93 [1.572]	30.33 [1.194]	11.43 [0.450]	9	19	20	111504-4
34.85 [1.372]	25.25 [0.994]	8.89 [0.350]	7	15	16	111504-3
32.31 [1.272]	22.71 [0.894]	7.62 [0.300]	6	13	14	111504-2
27.23 [1.072]	17.63 [0.694]	5.08 [0.200]	4	9	10	111504-1
E	D	C	B	A	NO OF POSN	PART NUMBER

DO NOT SCALE PRINT. UNLESS SPECIFIED DIMENSIONS IN mm [INCHES]		PART NO	
DR 8-10-90 C. OBERMAN	CHK 11-28-90 F M HEINEY	AMP INCORPORATED Harrisburg, Pa. 17105	
TOLERANCES: ON; 2 PLC DEC ± 0.13 [.005] 3 PLC DEC ± - ANGLES ± -	APPD 11-29-90 F M HEINEY	NAME	
MATERIAL MOLDED PARTS: △1	APPD 11-30-90 D HOFFMAN	UNIVERSAL I/O PIN CONNECTOR, WITHOUT MOUNTING EARS, WITH STRAIN RELIEF LATCHES, AMP-LATCH™	
CONTACTS: △8	PRODUCT SPEC 108-1336	SIZE D	CAGE CODE 00779
FINISH CONTACTS: △2	APPLICATION SPEC 114-7011	DRAWING NO 111504	
	WEIGHT -	SCALE 4:1	SHEET 1 OF 1