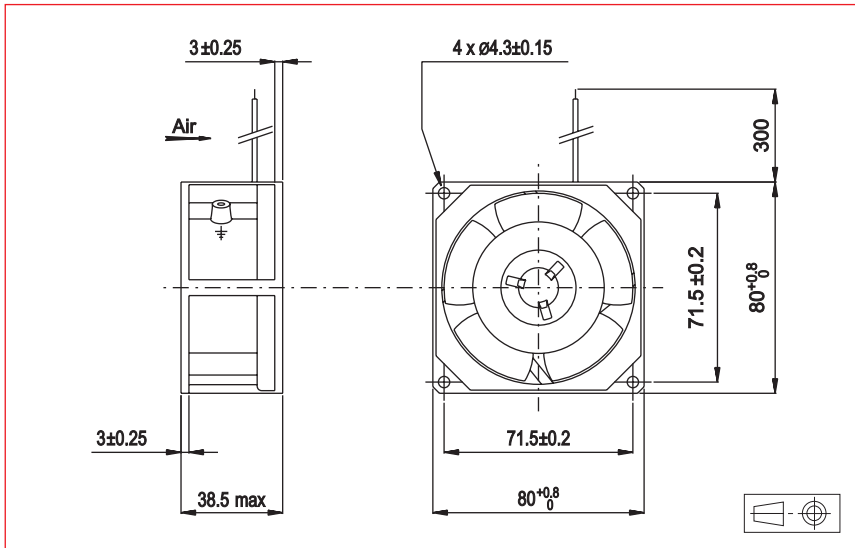


**3,15" x 3,15" x 1,496" 80 x 80 x 38 mm**

**Series 126L**

**ETRI®**

AC Axial Fans



Approvals



Life expectancy

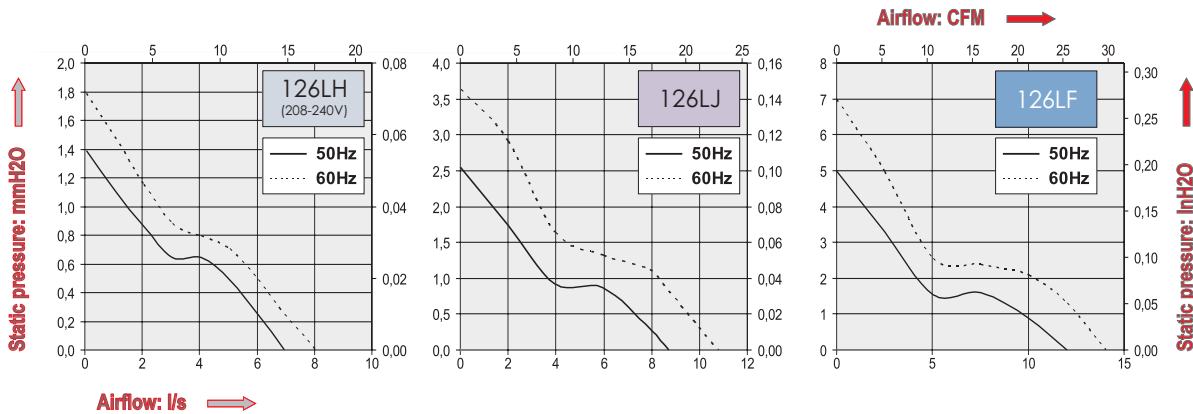
L-10 LIFE AT 40°C:  
80 000 hours

**AC Motor**

Electrical protection: impedance protected  
Housing material: zamak  
Impeller material: plastic UL 94 VO  
Weight: 400 g  
Bearing system: ball bearings

**Available with:**

- Connection type: terminals



Part Number	Nominal voltage	Airflow	Noise level	Nominal speed	Frequency	Phases	Capacitor	Input Power	Nominal current	Starting current	Connection type		Operating temperature	
	V										l/s	dB(A)	RPM	Hz
126LH0182000	115	6	10	1350	50	1		5	50	60	X	Terminals	-10	70
		7	11	1550	60	1		4	50	60	X	Terminals	-10	70
126LH0181000	208-240	6,5	14	1550	50	1		7	35	40	X	Terminals	-10	70
		8	18	1850	60	1		6	30	35	X	Terminals	-10	70
126LJ0182000	115	9	22	2000	50	1		7	75	80	X	Terminals	-10	70
		11	25	2400	60	1		6	65	70	X	Terminals	-10	70
126LJ0181000	208-240	9	22	2000	50	1		8	45	50	X	Terminals	-10	70
		11	25	2400	60	1		7	40	45	X	Terminals	-10	70
126LF0182000	115	12,5	30	2750	50	1		10	130	170	X	Terminals	-10	70
		15	35	3250	60	1		8	100	140	X	Terminals	-10	70
126LF0181000	208-240	12,5	30	2750	50	1		12	75	90	X	Terminals	-10	70
		15	35	3550	60	1		9	60	70	X	Terminals	-10	70

**Additional versions:**

Shock and vibration protected - wide temperature range  
IP54: consult factory

**Accessories:**

Refer to Accessories leaflet