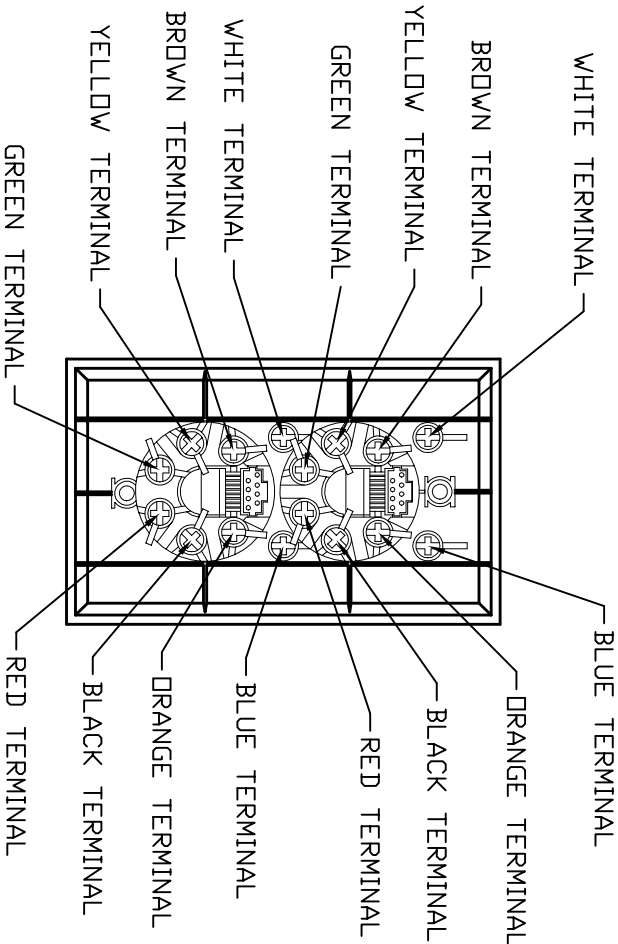
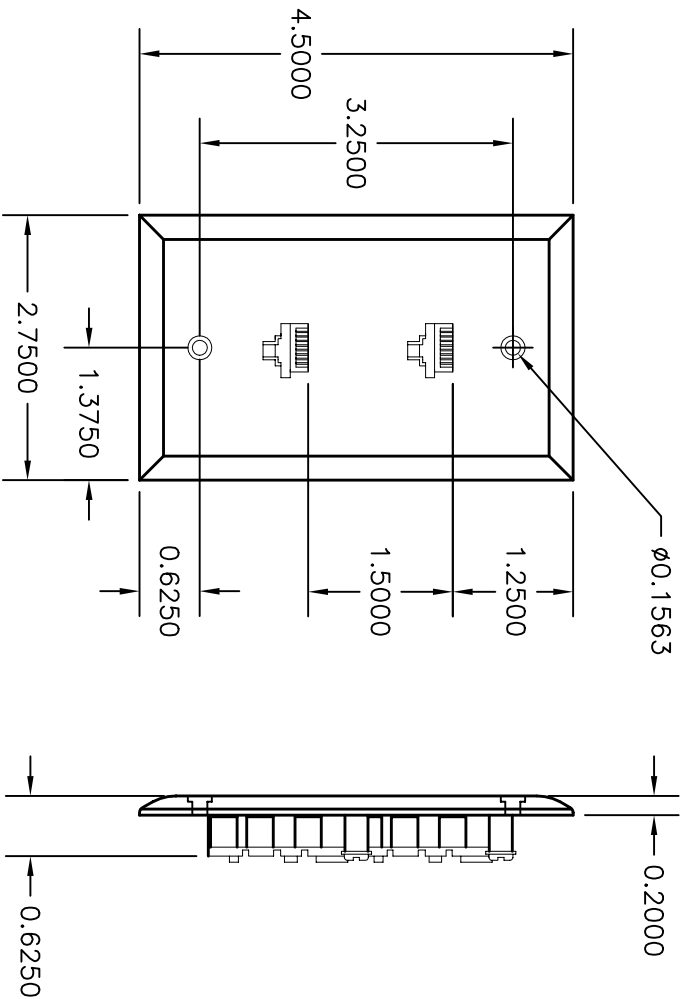


ALL RIGHTS RESERVED. NO PORTION OF THIS PUBLICATION, WHETHER IN WHOLE OR IN PART CAN BE REPRODUCED WITHOUT THE EXPRESS WRITTEN CONSENT OF SPC TECHNOLOGY.

REVISIONS		DOC. NO. SPC-F005	Effective: 12/21/98		DCP No. 680			
DCP #	REV	DESCRIPTION	DRAWN	DATE	CHECKD	DATE	APPRD	DATE
788	A	RELEASED	HYO	3/2/00	JC	3/14/00	DJC	4/28/00



**SPECIFICATIONS**

CONNECTOR: KEYED 8 POSITION / 8 CONDUCTOR  
 LEADWIRE: 26 AWG, 7 STRAND  
 LEADWIRE COLORS: BLACK, RED, GREEN, YELLOW, BROWN, WHITE, ORANGE, BLUE  
 SPRING WIRE: .45mm (0.018 in) DIAMETER, PHOSPHOROUS BRONZE ALLOY  
 HOUSING MATERIAL: ABS AND POLYCARBONATE  
 COLOR: IVORY  
 HARDWARE: (2) #8-32 MACHINE SCREWS

INSULATION RESISTANCE: >500 MEGOHMS  
 DIELECTRIC STRENGTH: 500 V AC RMS, 60 HZ  
 CONTACT RESISTANCE: <15 MILLIOHMS  
 CURRENT RATING: 1-1/2 AMPS  
 RETENTION FORCE: 76 N (17 lbs)  
 CRIMPING STRENGTH: 2.0 Kg (4.4 lbs)

**DISCLAIMER:**  
 ALL STATEMENTS AND TECHNICAL INFORMATION CONTAINED HEREIN ARE BASED UPON INFORMATION AND/OR TESTS WE BELIEVE TO BE ACCURATE AND RELIABLE. SINCE CONDITIONS OF USE ARE BEYOND OUR CONTROL, THE USER SHALL DETERMINE THE SUITABILITY OF THE PRODUCT FOR THE INTENDED USE AND ASSUME ALL RISK AND LIABILITY WHATSOEVER IN CONNECTION THEREWITH.



**SPC TECHNOLOGY**

UNLESS OTHERWISE SPECIFIED, DIMENSIONS ARE FOR REFERENCE PURPOSES ONLY.

DRAWN BY:	HISHAM ODISH	DATE:	3/2/00
CHECKED BY:	JOHN COLE	DATE:	3/14/00
APPROVED BY:	DANIEL CAREY	DATE:	4/28/00

DRAWING TITLE:		DUPEX 8 POSITION, TELEPHONE WALL PLATE	
SIZE	DWG. NO.	ELECTRONIC FILE	REV
A	8588-0060	52N9417.DWG	A
SCALE:	NTS	U.O.M.: INCHES	SHEET: 1 OF 1