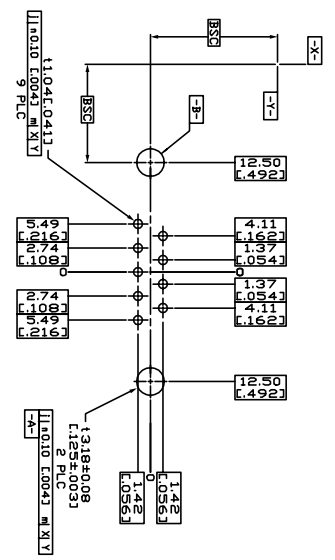


- 1. MATERIAL
HOUSING: PBT, GLASS FILLED, UL RATED 94V-0, BLACK.
FRONT SHELL: CARBON STEEL.
BOARD LOCKS AND INSERTS: BRASS
CONTACTS: PHOSPHOR BRONZE
2. FINISH
FRONT SHELL: TIN PLATED.
CONTACTS: GOLD FLASH OVER 254 μm (0000100) MIN NICKEL
BOARD LOCKS AND INSERTS: NICKEL PLATED
3. ELECTRICAL SPECIFICATIONS:
30 OHMS AT 30 MHZ
30 OHMS AT 50 MHZ
50 OHMS AT 100 MHZ
4V SCL, 56-404-001 AND DATE CODE MARKED ON THIS SURFACE.

P.C. BOARD MOUNTING DIMENSIONS



1 2 3 4 5 6 7 8

Table with columns for REV, DATE, BY, and other metadata. Includes a revision history table and a title block with part name 'P.C. BOARD MOUNTING DIMENSIONS' and drawing number '56-404-001'.