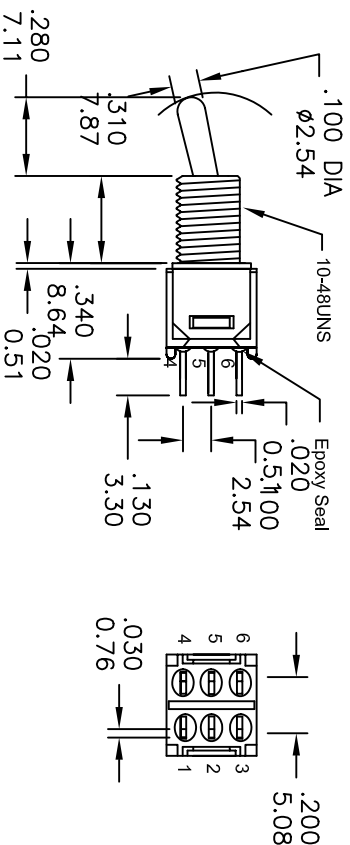
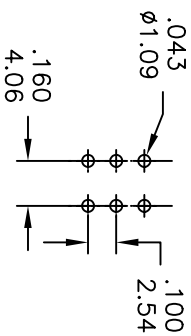


P.C. MOUNTING



Model No.	POS.1	POS.2	POS.3
2MD1	ON	NONE	ON
Term. Comm.	2-3,5-6	OPEN	2-1,5-4
SCHEMATIC			

SWITCH FUNCTION



SPECIFICATIONS

ELECTRICAL LIFE: 30,000 make-and-break cycles at full load.
CONTACT RESISTANCE: 20mΩ max. Initial @ 2-4VDC
 100mA for both silver and gold plated contacts.
INSULATION RESISTANCE: 1,000MΩ min.
DIELECTRIC STRENGTH: 1,000 V RMS@sea level.
OPERATING TEMPERATURE: -30° C to 85° C.

MATERIALS

CASE - Dallyl phthalate(DAPY UL94V-0)
ACTUATOR - Brass,chrome plated
BUSHING - Brass,nickel plated
HOUSING - Stainless Steel
SWITCH SUPPORT - Brass,tin plated.
TERMINALS/CONTACT - Brass, with Silver or gold plated.

符號	原尺寸	修改後尺寸	變更日期
1	(A)		
2	(B)		
3	(C)		
4	(D)		
5	(E)		

SCALE (比例): 3:2

TOLERANCE (公差):

0.00 mm ± 0.25mm
 0.0 mm ± 0.40mm
 ANGULAR: ± 2.54 mm

FILE NAME: 2MDP0064

德利威電子股份有限公司
DAILYWELL ELECTRONICS CO.,LTD.

TITLE 圖名	Sub - Miniature Toggle Switches	SIZE 圖紙	A4
DWG NO. 圖號	2MD1T1B5M2RE	UNIT 單位	inch mm
REV. 版本	A	DATA 日期	MAY - 26 - 2003
CHECKED BY 審核	JACK	DRAWN BY 製圖	BLUE
SHEET 張數			1 of 1

RATING:

R : 0.4 Volt-Amps(VA) max. @20V max.(AC or DC)
 Q : 1Amp @250VAC
 3Amps @120 VAC or 28 VDC