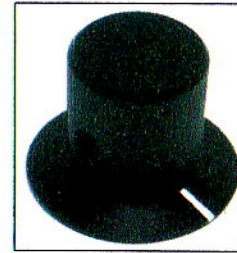
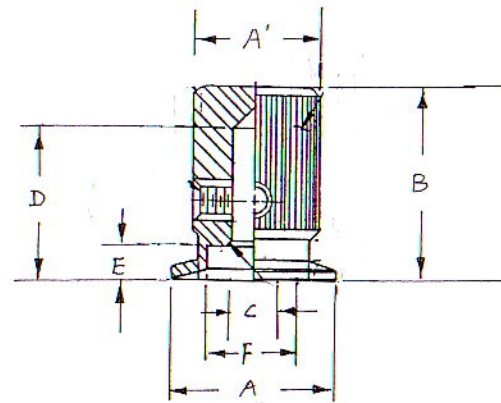
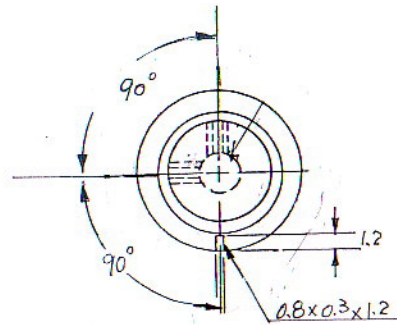


P/N	A'	A	B	C	D	E	F	Color
KFS400B1/8h	9.7	12.7	15.0	3.2	11.9	2.5	7.1	Black
KFS500B1/8	12.7	16.0	16.0	3.2	12.0	4.0	9.5	Black
KFS600B1/4	15.7	25.4	20.6	6.4	16.0	4.1	9.5	Black



KFS600B1/4



嘉信旋鈕股份有限公司  
 CHIA SHIN KNOBS CO., LTD.  
 351, YUNGHO ROAD,  
 CHUNGHO CITY,  
 TAIPEI HSIEN,  
 TEL:(02)2225-1216-7  
 FAX:(02)2222-7312

Material: ALUMINUM SOLIDE  
 Tolerance: +/-0.20  
 Unit : mm

P/N:	
CHIA SHIN P/N:	KFS SERIES

Date: 1-Sep-07