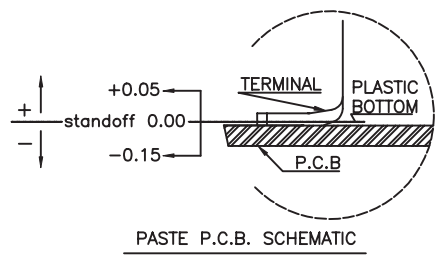
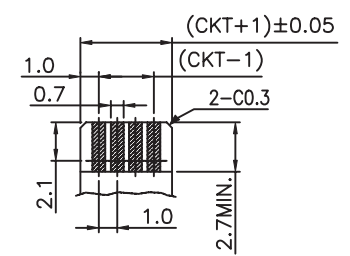


SECT. A-A



PASTE P.C.B. SCHEMATIC



APPLICABLE FFC LAYOUT (THICKNESS: 0.3 ± 0.05)

MATERIAL:  
 HOUSING MATERIAL: PPS  
 COLOR: BEIGE  
 ACTUATOR MATERIAL: PPS  
 COLOR: BROWN  
 CONTACT MATERIAL: PHOSPOR BRONZE  
 CONTACT PLATING: 100µ TIN OVER 50µ NI  
 QUALITY CLASS: 25 MATING CYCLES

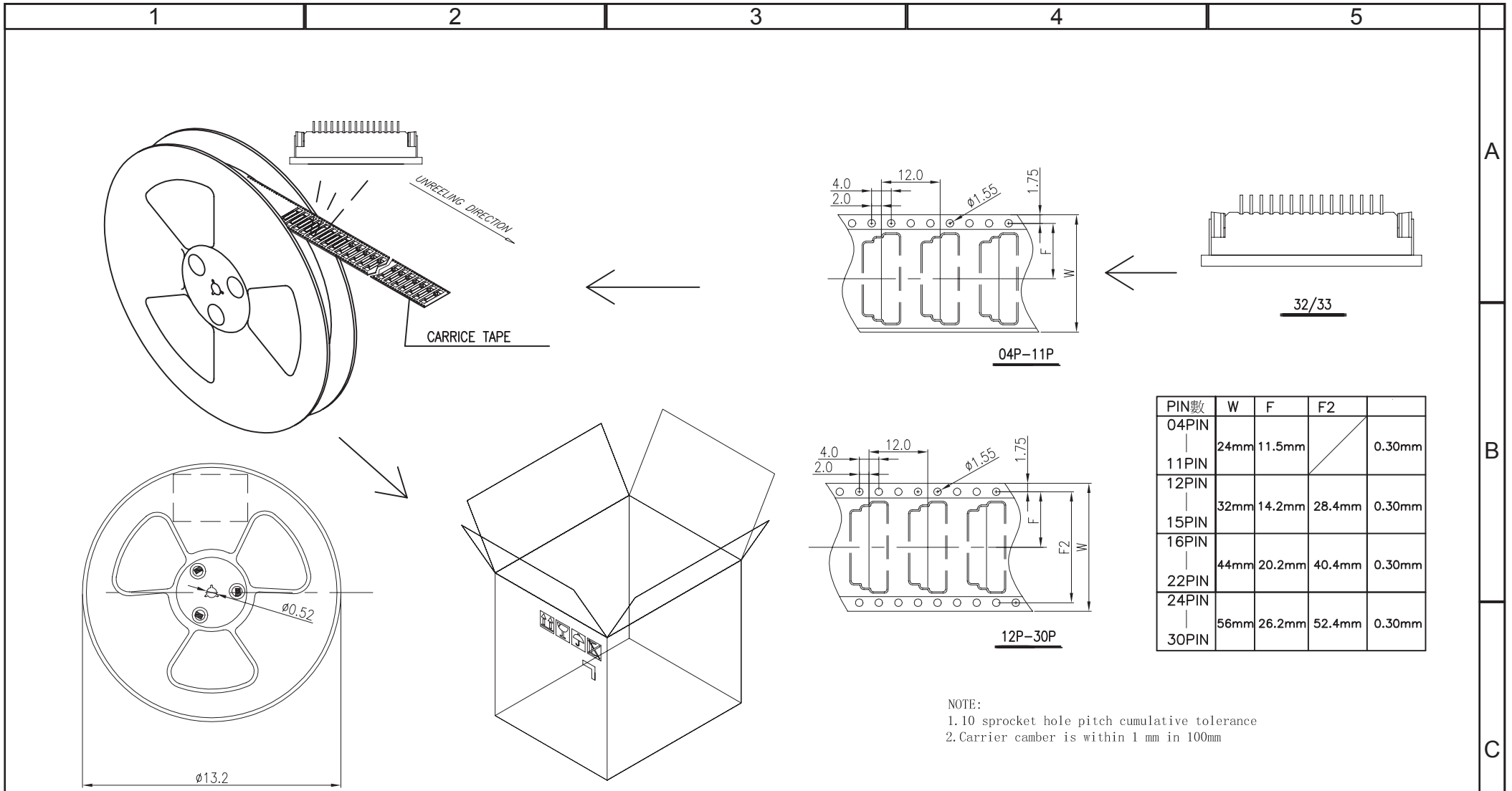
ENVIRONNEMENTAL:  
 OPERATING TEMPERATURE: -25°C UP TO 85°C  
 FLAMABILITY RATING: UL94-V0  
 COMPLIANCE: LEAD FREE AND ROHS

ELECTRICAL:  
 CURRENT RATING: 1A  
 WORKING VOLTAGE: 125V  
 INSULATION RESISTANCE: >100MOHM  
 DIELECTRIC WITHSTANDING VOLT.: 500VAC/MN  
 CONTACT RESISTANCE: 20mOHM MAX

SOLDERING:  
 REFLOW PROCESS ONLY

DIMENSION:  
 A = B + 8.00  
 B = 1.00 x (NB PINS - 1)  
 C = B + 2.15  
 D = B + 6.00

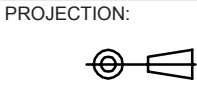
RoHS Compliant				PROJECTION: 	GENERAL TOLERANCE .X = +/- 0.2 .XX = +/- 0.15		DESCRIPTION: 1.0MM ZIF FPC HORIZONTAL TOP CONTACT TYPE - TAPE & REEL PACKAGING WERI PART NO: 6861 xx 14122	SIZE <b>A4</b>
G								
F								
E								
D	29-JUL-08	INSERTION DEPTH	CH	APPROVAL: RJ	UNIT: MM			
C	26-NOV-07	MODIFICATIONS	EC		SCALE:			
B	14-MAR-07	CHARACTERISTIC	EC		SHEET: 1/2			
A	02-OCT-06	PDF	JP		DRAW: PEARL			
REV	DATE	FILE	BY					



PIN數	W	F	F2	
04PIN	24mm	11.5mm	/	0.30mm
11PIN				
12PIN	32mm	14.2mm	28.4mm	0.30mm
15PIN				
16PIN	44mm	20.2mm	40.4mm	0.30mm
22PIN				
24PIN	56mm	26.2mm	52.4mm	0.30mm
30PIN				

NOTE:  
 1. 10 sprocket hole pitch cumulative tolerance  
 2. Carrier camber is within 1 mm in 100mm

RoHS Compliant			
G			
F			
E			
D	29-JUL-08	INSERTION DEPTH	CH
C	26-NOV-07	MODIFICATIONS	EC
B	14-MAR-07	CHARACTERISTIC	EC
A	02-OCT-06	PDF	JP
REV	DATE	FILE	BY



GENERAL TOLERANCE  
 .X =  $\pm 0.2$   
 .XX =  $\pm 0.15$



APPROVAL: RJ

UNIT: MM  
 SCALE:  
 SHEET: 2/2  
 DRAW: PEARL

DESCRIPTION: 1.0MM ZIF FPC HORIZONTAL BOTTOM CONTACT TYPE - TAPE & REEL PACKAGING  
 WERI PART NO: 6861 xx 14422

SIZE  
**A4**