



MICRO SWITCH
 FREEPORT ILLINOIS
 A DIVISION OF HONEYWELL
 FED. MFG. CODE 91929

SWITCH-BASIC

CATALOG LISTING
BZ-2RW863-A2

APH3500

BZ-2RW863-A2
 PAGE 1 OF 1

M

DRAWING NUMBER

ISSUE **10**

RELEASE NO.

REPLACES

CHECK

CHECK

CHECK

CHECK

CHECK

CHECK

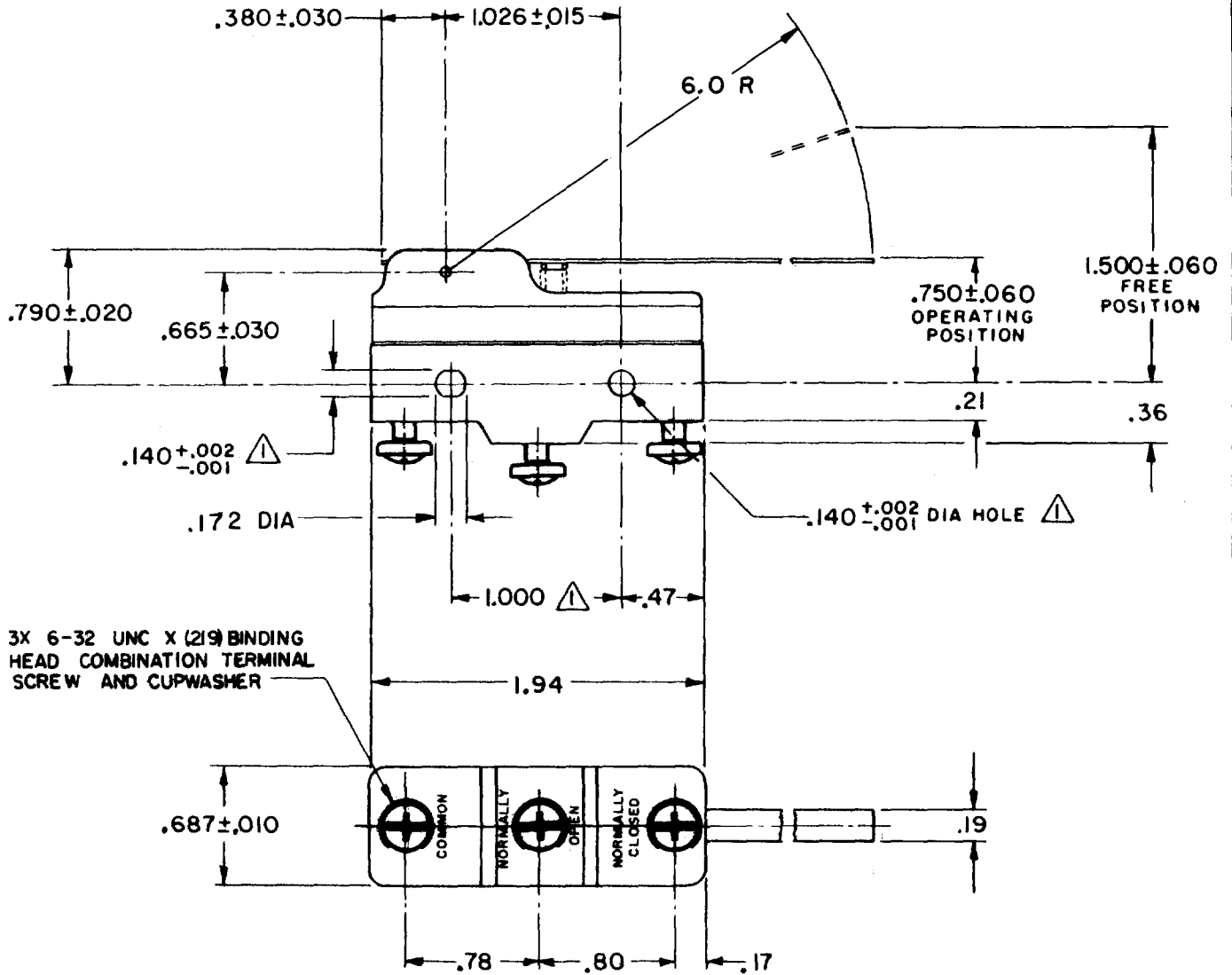
CHECK

CHECK

CHECK

CHECK

CHECK



3X 6-32 UNC X (219) BINDING HEAD COMBINATION TERMINAL SCREW AND CUPWASHER

NOTE
 MOUNTING HOLES WILL ACCEPT PINS OR SCREWS OF .139 MAX DIA ON 1.000 ± .002 CENTERS

THIS DRAWING COVERS A PROPRIETARY ITEM AND IS THE PROPERTY OF MICRO SWITCH, A DIVISION OF MINNEAPOLIS-HONEYWELL REGULATOR CO. THIS DRAWING IS NOT TO BE COPIED OR USED WITHOUT THE APPROVAL OF MICRO SWITCH.

CHARACTERISTICS

OPERATING FORCE — — — — 1 OZ MAX
 DIFFERENTIAL TRAVEL — — — .018 — .145
 OVERTRAVEL — — — — .500 MIN

ELECTRICAL DATA

CONTACT ARRANGEMENT
 S P D T

-L96- 15 A-125, 250, OR 480 VAC
 1/2 A-125 VDC; 1/4 A-250 VDC
 1/8 HP-125 VAC, 1/4 HP-250 VAC

-L288-
 -L306-
 -L315-

CE EN05 EC RU SP

16A 250V ~ T85 5E4

SCALE FULL

DO NOT SCALE PRINT

UNLESS OTHERWISE SPECIFIED
 DIMENSIONS ARE IN INCHES

TOLERANCES ARE:

ONE PLACE (.0) ± .030
 TWO PLACE (.00) ± .015
 THREE PLACE (.000) ± .005
 ANGLES ±

WEIGHT .065 LB

FORMTEK

FO-30378

DRAWN

MB F 6 SEP 62