

Handwritten mark

Model: 9 8 2 0

Switching chargers/Switching adaptors
(max. output: below 10 watt)

SPECIFICATIONS

SPECIFICATION

AMP9820 SWITCHING ADAPTOR SPECIFICATIONS

TABLE OF CONTENTS

- 1. SCOPE
- 2. SPECIFICATION NUMBER
- 3. ENVIRONMENTAL REQUIREMENTS
- 4. INPUT REQUIREMENTS
- 5. INTRODUCTION OF AMP9820
- 6. DC INSULATION RESISTANCE
- 7. DIELECTRIC WITHSTAND-VOLTAGE
- 8. MAIN FUSE
- 9. INRUSH CURRENT
- 10. TIME SEQUENCE
- 11. EFFICIENCY
- 12. SAFETY STANDARD
- 13. RFI EMISSION
- 14. OUTPUT RATED & ELECTRICAL SPECIFICATIONS
- 15. OUTLOOK DRAWING

RD	1							
REP No						AMP-SWM2A	Page	2

SPECIFICATION

AMP9820 SWITCHING ADAPTOR SPECIFICATIONS

1. SCOPE

This document is applied to AMP9820 model for S.M.P.S

2. SPECIFICATION NUMBER

part number : AMP9820

Customer part number:

3. ENVIRONMENTAL REQUIREMENTS

Operating temperature: 0°C -- 40°C

Storage temperature : -25°C -- +85°C

Operating humidity : 30% -- 95%

Storage humidity : 30% -- 98%

Operating bar : 1BAR

4. INPUT REQUIREMENTS

Regular input voltage: AC 100 - AC 240V

Variable input voltage range : AC 90V - AV264V

Rating frequency : 50Hz - 60Hz

Frequency range : 47Hz - 63Hz

Input current : 0.18Arms MAX (at regular voltage & current)

5. INTRODUCTION OF AMP9820

The S.M.P.S operated at input regular voltage AC 100V - 240V

The S.M.P.S should be capable of a total continuous DC power output of 7.5 Watts.

The S.M.P.S should be capable of a total peak 10 Watts.

The S.M.P.S should be able to single output only. Refer output rated & electrical specifications table

The S.M.P.S should not be fired or emitted smoke by protection when the circuit is short.

The S.M.P.S should carried max. power when the output circuit is short that the unit is really hot.

RD	1						
REP No					AMP-SWM2A	Page	3

SPECIFICATION

AMP9820 SWITCHING ADAPTOR SPECIFICATIONS

6. DC INSULATION RESISTANCE

Input – Output :50M Ω minimum (at 500VDC)
 Input – Body Metal : 50M Ω minimum (at 500VDC)

7. DIELECTRIC WITHSTAND - VOLTAGE

Input – Output : 3750VAC minimum (1minute)
 Input – Body Metal : 3750VAC minimum (1minute)

8. MAIN FUSE

Input fuse is 10 OHM 1W fusible resistor

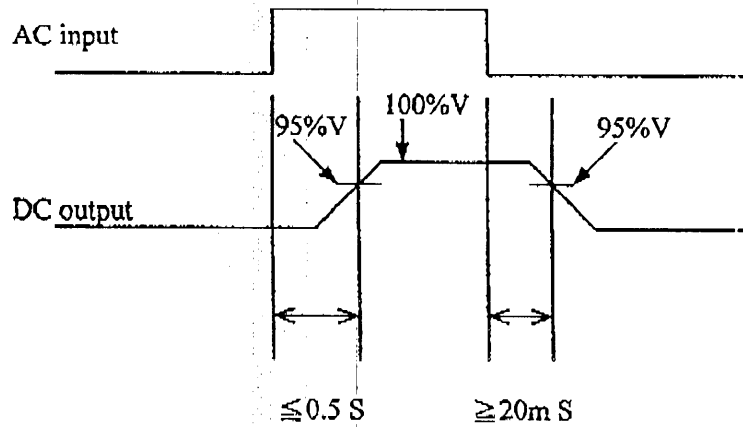
9. INRUSH CURRENT

Peak inrush current shall be limited to 10A for a cold start

10. TIME SEQUENCE

Time sequence should be satisfied to power ON/OFF

AC switch at ON/OFF



11. EFFICIENCY

The efficiency of the S.M.P.S must be satisfied the minimum 70%.

RD	1							
REF No						AMP-SWM2A	Page	4

SPECIFICATION

AMP9820 SWITCHING ADAPTOR SPECIFICATIONS

12. SAFETY STANDARD

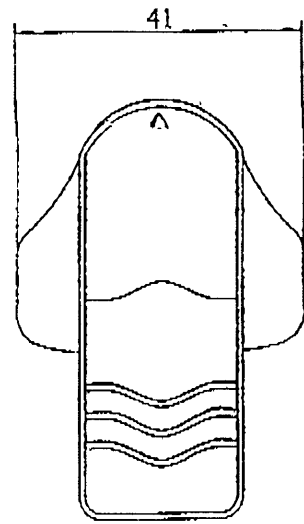
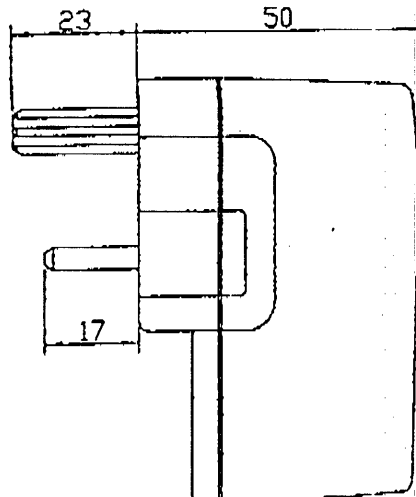
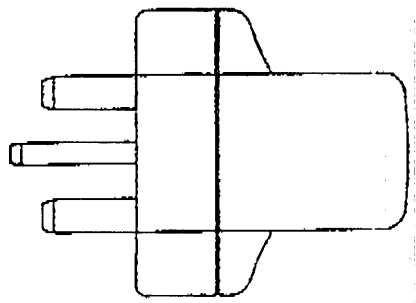
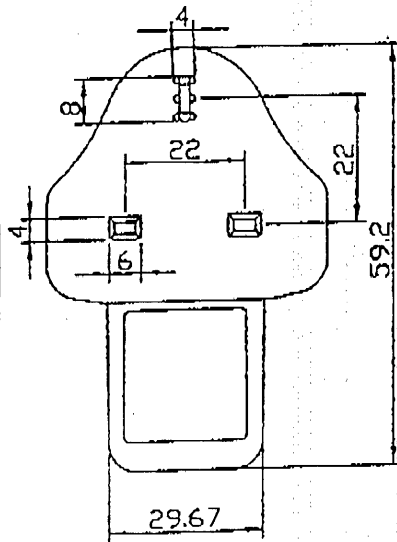
To meet ETL-UL1950, CETL-C22.2 NO.950, GS-DIN EN60950

13. RFI EMISSION

To meet EN55014

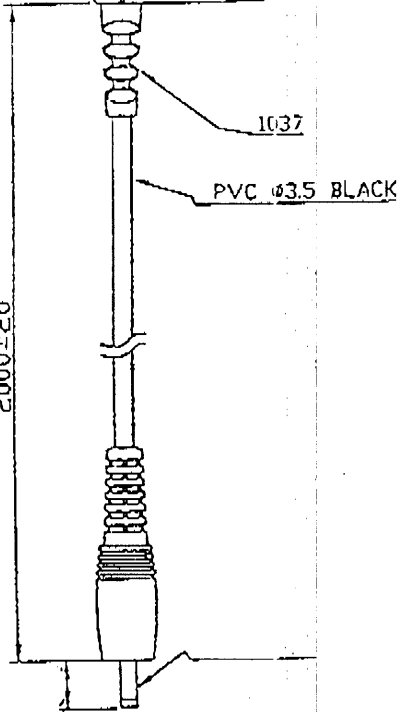
14. OUTPUT RATED & ELECTRICAL SPECIFICATIONS

Rated output(V)	3	4.5	5	6	7.5	9	10	12	15	18	23
Rated current(A)@240V	2	1.5	1.5	1.3	1.2	1	0.8	0.7	0.55	0.4	0.3
Rated current(A)@100V	1.5	1.1	1.1	1	0.9	0.8	0.7	0.6	0.45	0.4	0.3
Peak load current(A)	3	2	2	2	1.5	1.5	1.2	0.9	0.7	0.6	0.4
Short output current (A)	4	3	3	3	3	3	3	3	3	3	3
Load variable range (A)	0-2	0-1.5	0-1.5	0-1.3	0-1.2	0-1	0-0.9	0-0.75	0-0.6	0-0.5	0-0.3
Max. output voltage (V)	3.3	4.8	5.4	6.4	7.8	9.4	10.5	12.6	15.7	18.8	24
Min. output voltage (V)	2.7	4.3	4.8	5.7	7.2	8.6	9.5	11.4	14.4	17.4	22
Ripple & Noise(mV)	25	30	35	35	50	50	60	80	100	100	120
Over voltage protection	NO	NO	NO	NO	NO	NO	NO	NO	NO	NO	NO
Over heat protection	YES	YES	YES	YES	YES	YES	YES	YES	YES	YES	YES
Rated power (W)	6	6.75	7.5	7.8	9	9	9	9	9	9	9
Peak power (W)	10	10	10	10	10	10	10	10	10	10	10
Switch frequency (KHZ)	130	130	130	130	130	130	130	130	130	130	130
Insulation class	II	II	II	II	II	II	II	II	II	II	II
Consumes (W)	<0.2	<0.2	<0.2	<0.2	<0.2	<0.2	<0.2	<0.2	<0.2	<0.2	<0.2



Customer's requirement

2000±20



TITLE: UK TYPE ADAPTOP		UNIT :	mm
DRAWN	CHKD	APPD	