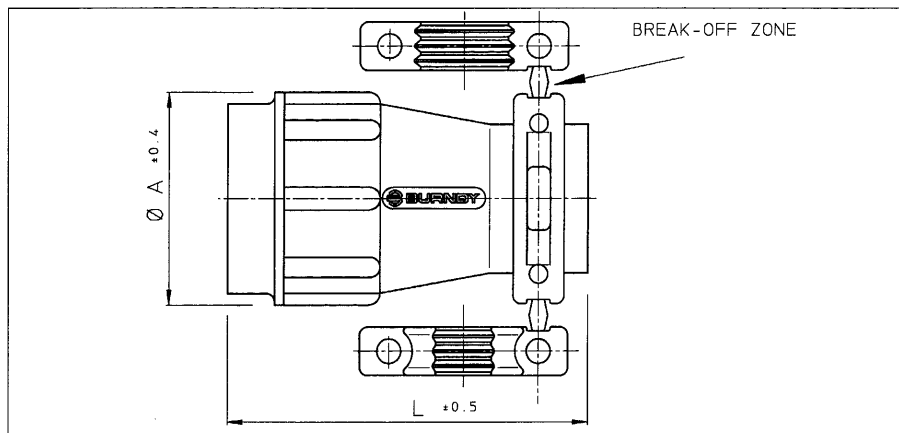
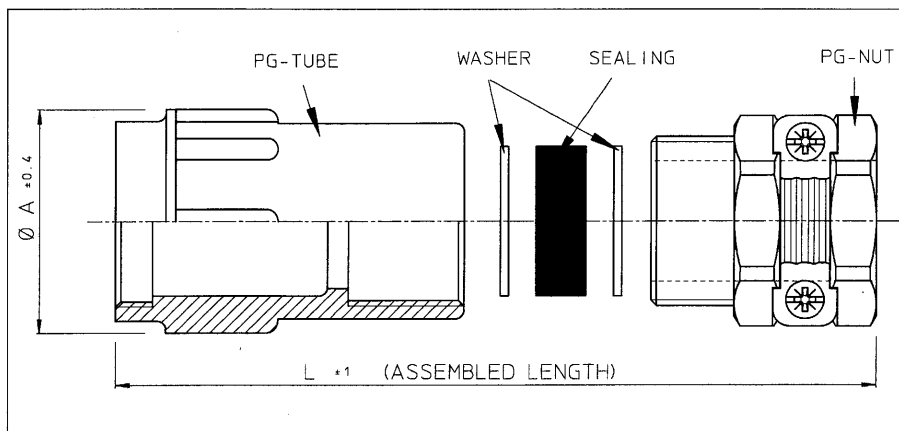
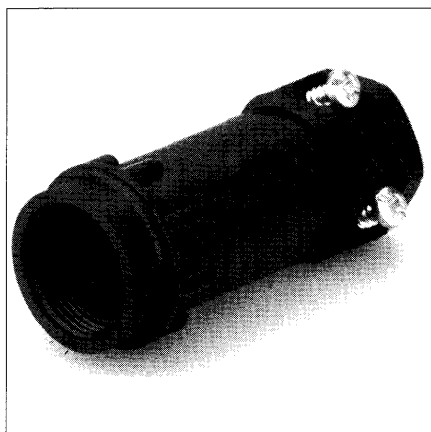


Cable clamp with strain relief (UTG--AC)



Catalogue number	Shell size	Cable range \varnothing	$\varnothing A \pm 6.4$	$L \pm 0.5$
UTG10AC	10	3.0 - 8.7	21.0	40.0
UTG12AC	12	3.0 - 12.8	24.0	40.0
UTG14AC	14	4.0 - 13.8	27.0	46.0
UTG16AC	16	5.0 - 17.0	30.2	46.0
UTG18AC	18	5.0 - 19.0	33.3	50.0
UTG20AC	20	5.0 - 21.0	36.5	55.0
UTG22AC	22	5.0 - 23.0	39.7	60.0
UTG24AC	24	8.0 - 27.0	42.9	65.0

Cable clamp with strain relief nut for waterprotected (IP65) applications (UTG--PG)



Catalogue number	Shell size	Sealing range* outer dia. x inner dia's	$\varnothing A \pm 6.4$	$L \pm 1$
UTG10PG	10	13.5 x 5 x 8	21.0	54
UTG12PG	12	16 x 7 x 10.5 x 13	24.0	57
UTG14PG	14	18.5 x 7 x 10.5 x 13 x 16	27.0	62
UTG16PG	16	20.5 x 8 x 10.5 x 13.5 x 16	30.2	68
UTG18PG	18	20.5 x 8 x 10.5 x 13.5 x 16	33.3	71
UTG20PG	20	26 x 11 x 15 x 18 x 22	36.5	82
UTG22PG	22	26 x 11 x 15 x 18 x 22	39.7	88
UTG24PG	24	35 x 19 x 23 x 27 x 31	42.9	103

* In order to obtain different diameters, the sealing exists of different layers which can be peeled out easily.