



- Dual-beam contact design for highly reliable electrical performance
- Latching key assures proper alignment and friction retention

## TECHNICAL DATA

### Physical

- Housing: Black thermoplastic
- Flammability rating: UL 94 V-0
- Contact: Phosphor-bronze
- Plating: Gold over 1.27 μm (50 μ") nickel



### Electrical Performance

- Current rating: 2 A continuous
- Insulation resistance: 1000 MΩ min.
- Contact resistance: 20 mΩ max.
- Dielectric withstanding voltage: 650 V
- Voltage rating: 200 V

### Mechanical Performance

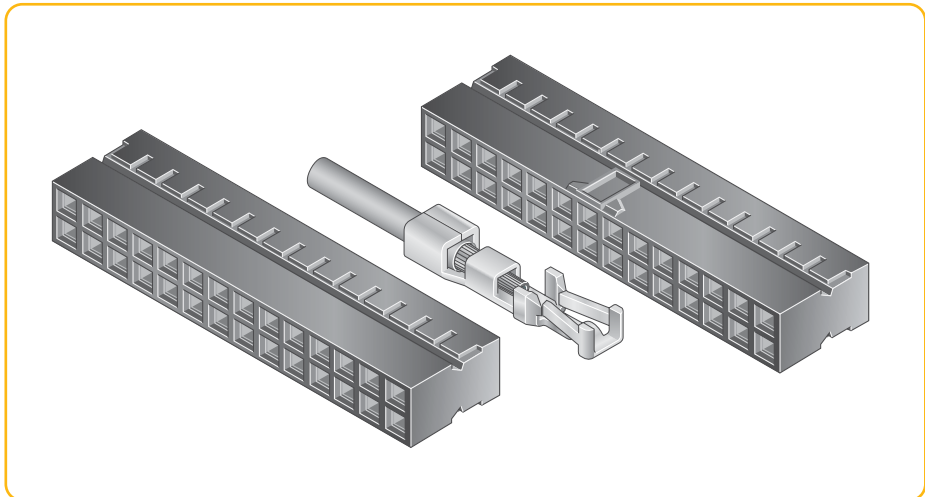
- Mating cycles (durability): 100
- Contact retention to housing: 7.83 N (800 gf) min.
- Mating force per contact: 1.77 N (180 gf) max.
- Unmating force per contact: 0.20 N (20 gf) min.

### Operating Temperature Range

- -40°C to +105°C

### Packaging

- Reels – Contacts
- Bags – Housings



### Reference Information

- File no. E66906
- File no. LR46923
- Product drawing: 77138 or 77139 – Contact  
69307, 90311 – Housing
- Product specification: 110-036
- Application specification: 100-006, TA-959

Specifications subject to change without notice.

### INSERTION DEPTH

- 2.40 mm min. to 3.30 mm max. [provides .381 mm wipe]
- 3.63 mm min. to 4.00 mm max. [provides .381 mm wipe in housing]

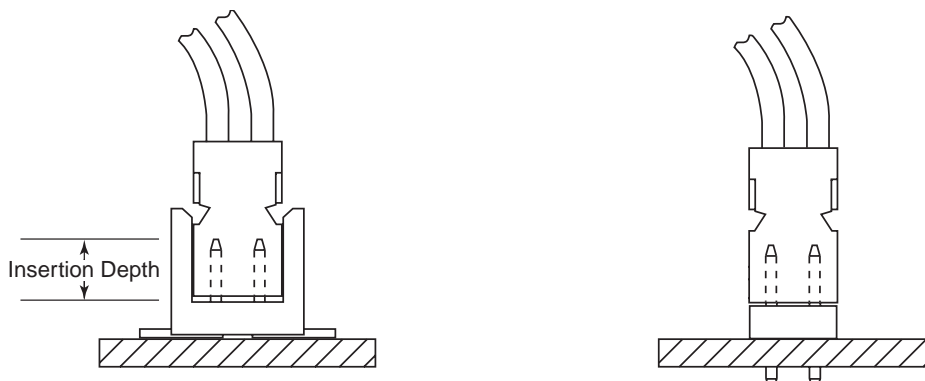
### RoHs INFORMATION

This product is RoHs compatible according to the European Union Directive 2002/95/IEC

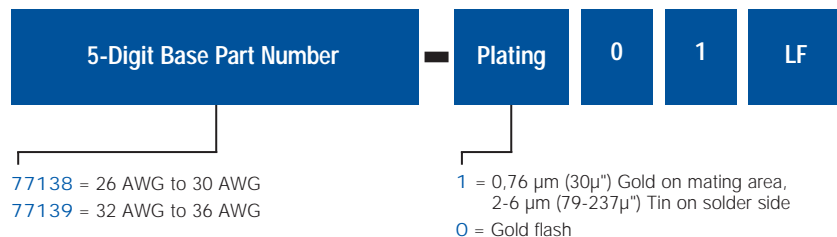
### MATING DATA

- Minitek™ Unshrouded headers 54, 56, 58
- Minitek™ Shrouded headers 64, 66

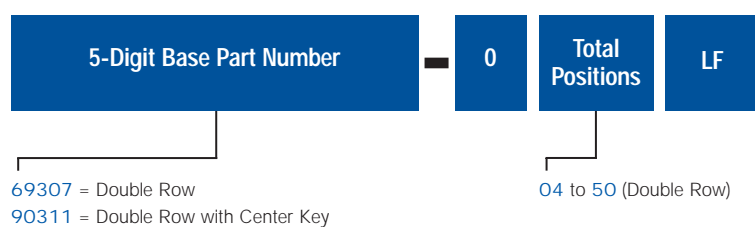
## TYPICAL APPLICATIONS



## PART NUMBER



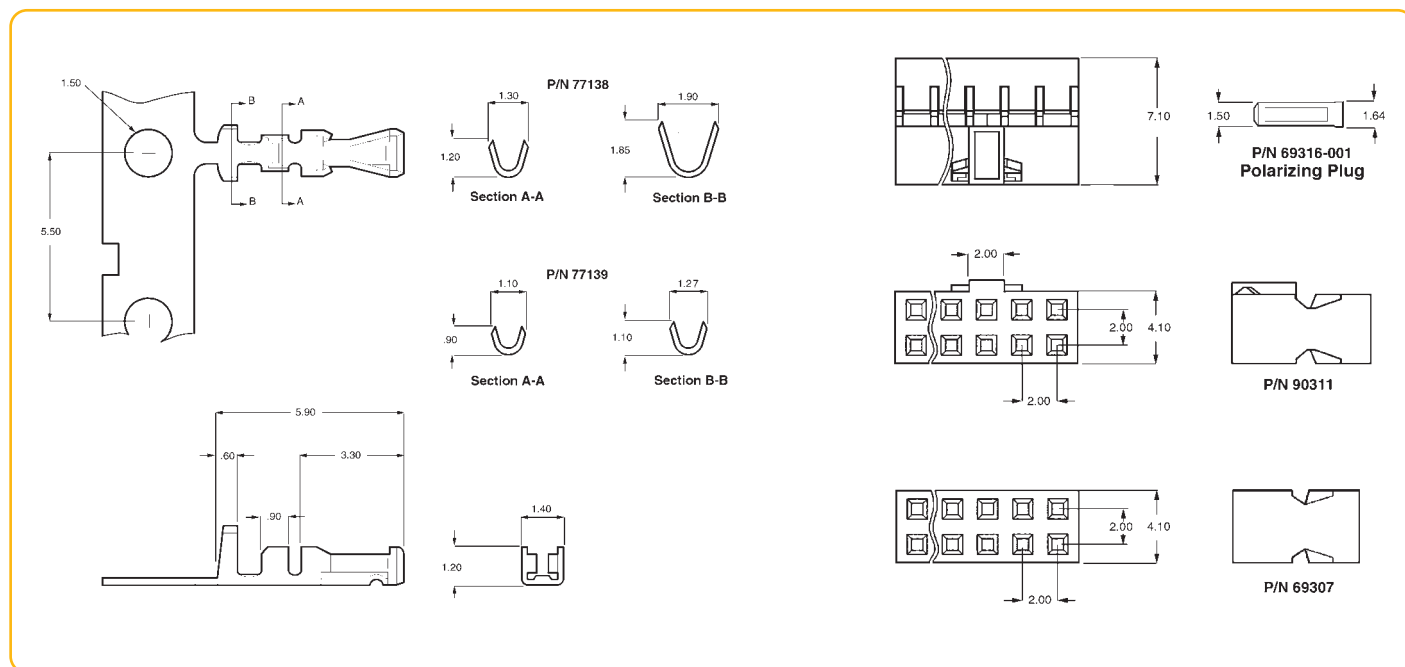
## Housings



77138	-	101LF	<b>CORE RANGE</b>
90311	-	0XXLF	

XX = 04, 06, 08, 10, 12, 16, 20

90311	-	0 Total Positions LF	<b>PRIORITY PART</b>
-------	---	----------------------	----------------------



Dimensions in mm

2.00 mm (.079")