

INTRODUCTION:

Adam Tech ASJ Series Stereo Jacks are a complete line of 2.6mm and 3.5mm jacks used primarily in computer and multi-media audio applications. This series provides a multitude of sizes and configurations that are available in single or multiple switching forms. Options include choice of full plastic or metal reinforced bodies, single, stacked and ganged versions and color-coded jacks for port identification.

FEATURES:

Broad range of sizes and configurations
Single or Multiple switching functions
Plastic or Metal reinforced bodies
Ganged and stacked versions
Color Coded option for Port Identification

MATING PLUGS:

All industry standard 2.50mm and 3.50mm mono or stereo plugs.

SPECIFICATIONS:

Material:

Insulator: PBT, LCP or Hi-temp Nylon, Glass reinforced, rated UL94V-0

Insulator Color: Black

Bushing: Brass, Nickel plated

Contacts: Copper alloy

Contact Plating:

Tin over Copper underplate

Electrical:

Operating voltage: 12V DC max.

Current rating: 1 Amp max.

Contact resistance: 30 mΩ max. initial

Insulation resistance: 100 MΩ min.

Dielectric withstanding voltage: 500V AC for 1 minute

Mechanical:

Insertion force: 4.4 lbs max.

Withdrawal force: 0.3 kg min

Mating durability: 5000 cycles min.

Temperature Rating:

Operating temperature: -65°C to +125°C

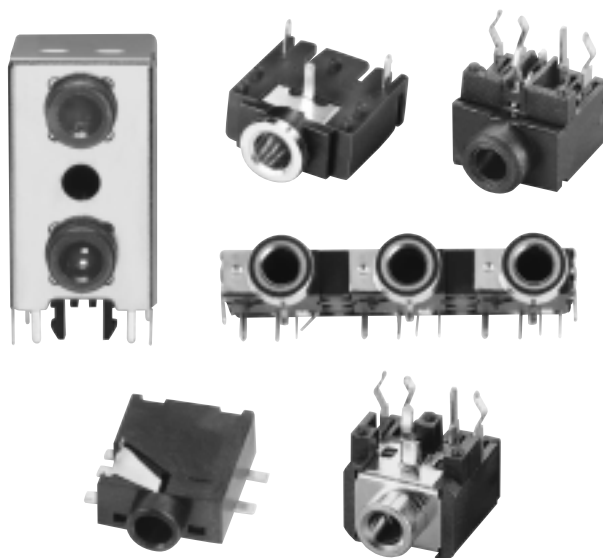
PACKAGING:

Anti-ESD plastic bags or Tape and Reel

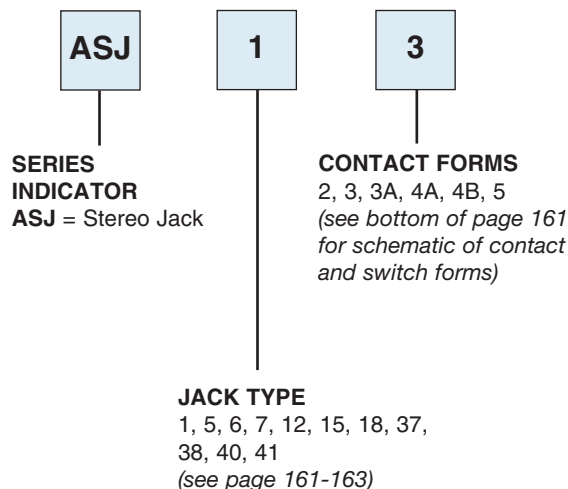
APPROVALS AND CERTIFICATIONS:

UL Recognized File No. E224053

CSA Certified File No. LR1578596



ORDERING INFORMATION



HI-TEMP INSULATOR AVAILABLE

OPTIONS:

Add designator(s) to end of part number

E = No back cover (Type 1 only)

K = Kinked soldertails

(Standard on Type 6, 7, 40)

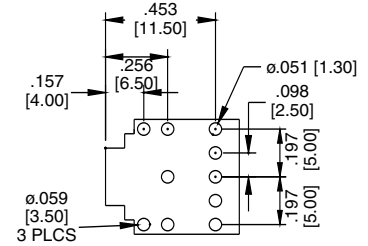
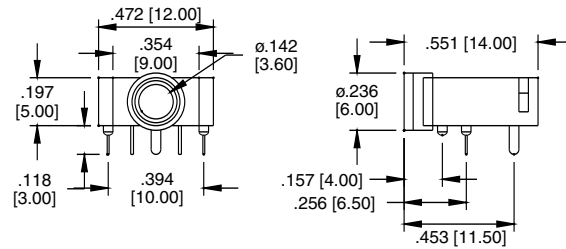
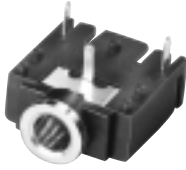
M = M6 x 0.5 threaded bushing

HT = Hi-Temp Nylon 6T insulator

TR = Tape & Reel packaging

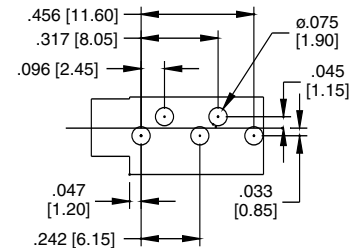
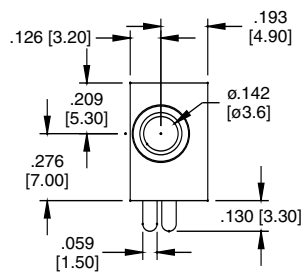
RC = RoHS compliant lead-free product with Hi-Temp insulator

ASJ-1



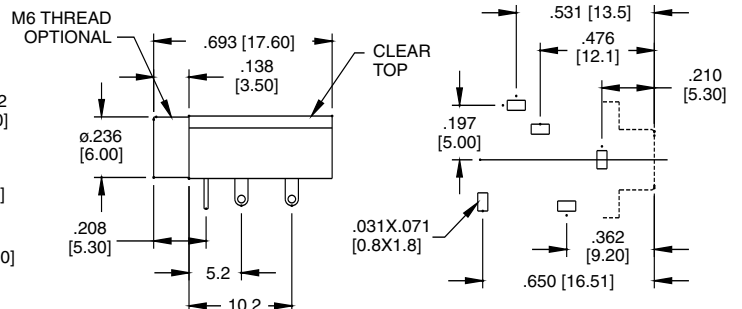
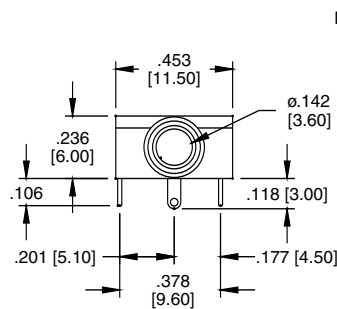
Recommended PCB Layout

ASJ-5



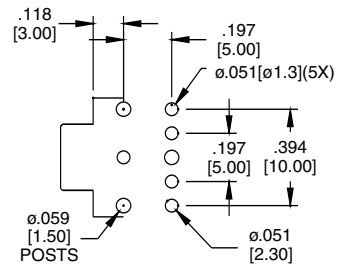
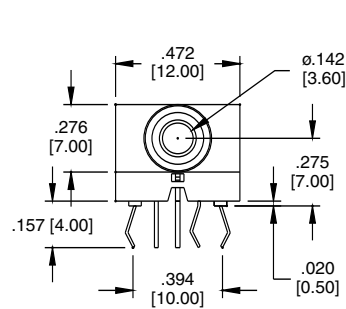
Recommended PCB Layout

ASJ-37



Recommended PCB Layout

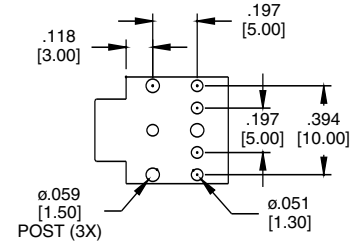
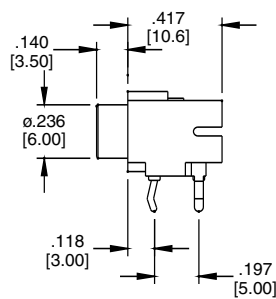
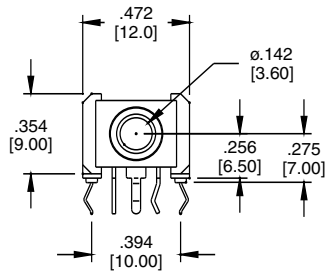
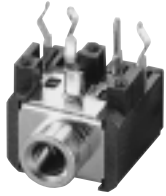
ASJ-6



Recommended PCB Layout

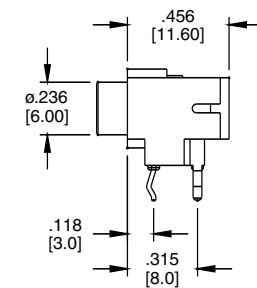
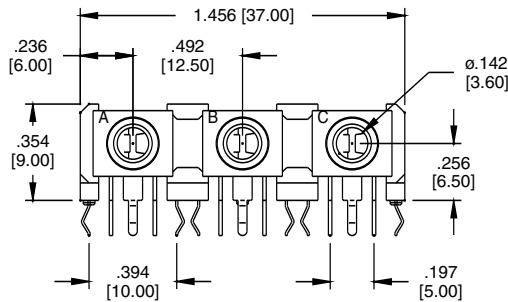
Contact Form	Form 2	Form 3	Form 3A	Form 4A	Form 4B	Form 5
Schematic						

ASJ-7



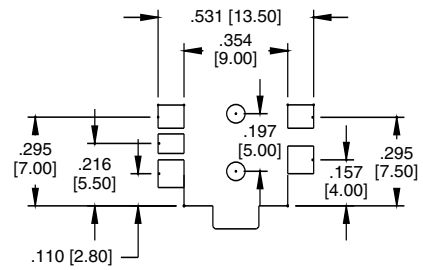
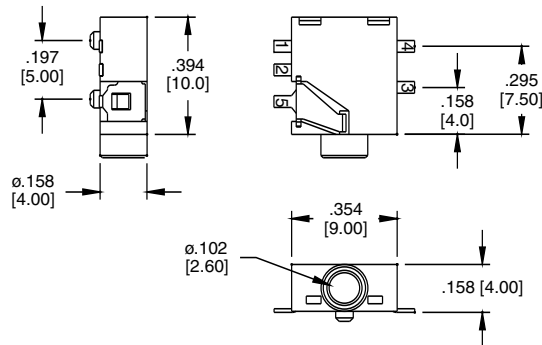
Recommended PCB Layout

ASJ-40



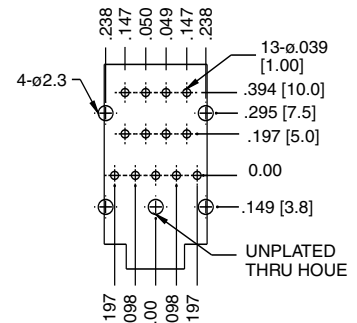
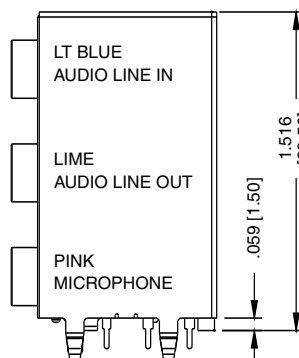
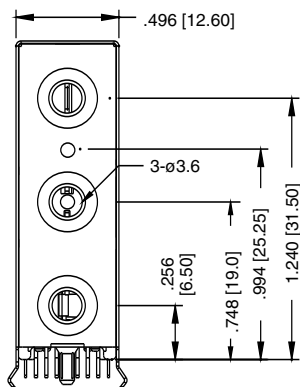
Recommended PCB Layout

ASJ-12



Recommended PCB Layout

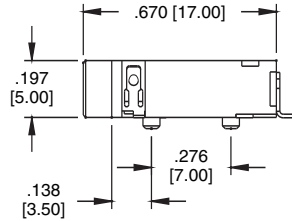
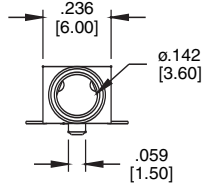
ASJ-4



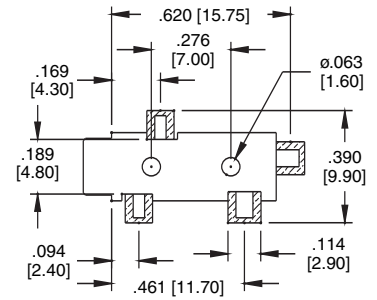
Recommended PCB Layout

3.5mm Audio Jack

ASJ-15

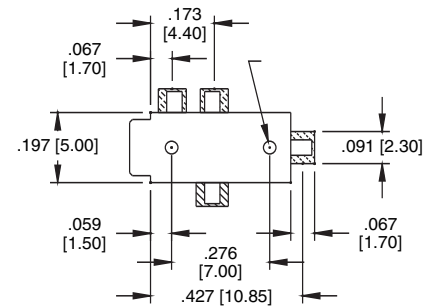
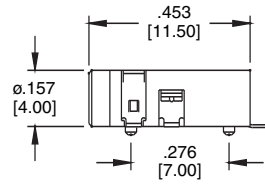
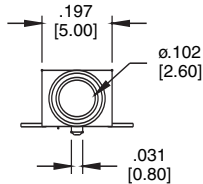


Recommended PCB Layout



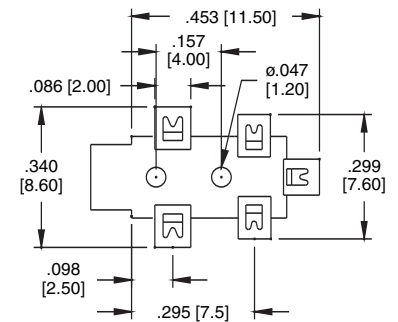
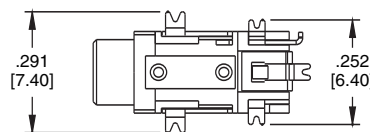
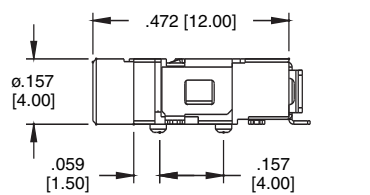
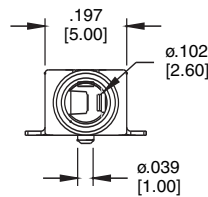
2.6mm Audio Jacks

ASJ-18



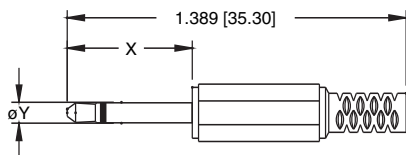
Recommended PCB Layout

ASJ-38



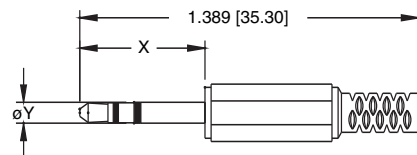
Recommended PCB Layout

Mono Audio Plug



PART No.	X	Y
ASP-2.5-M	.468 [11.90]	ø.098 [2.50]
ASP-3.5-M	.590 [15.00]	ø.137 [3.50]

Stereo Audio Plug



PART No.	X	Y
ASP-2.5-S	.468 [11.90]	ø.098 [2.50]
ASP-3.5-S	.590 [15.00]	ø.137 [3.50]