

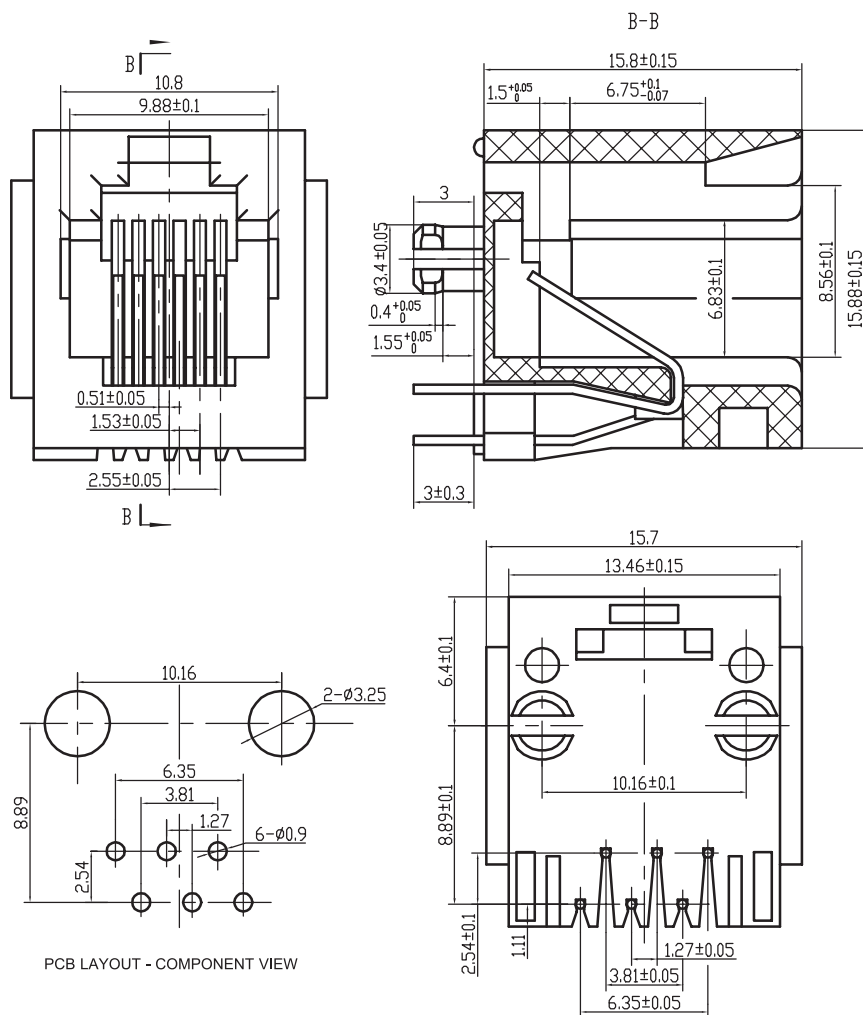
1

2

3

4

5



## TECHNICAL CHARACTERISTICS

## MATERIAL

INSULATOR MATERIAL: GLASS FILLED PBT  
 COLOUR: BLACK  
 CONTACT MATERIAL: COPPER ALLOY  
 CONTACT TYPE: STAMPED  
 CONTACT PLATING: SELECTIVE GOLD  
 QUALITY CLASS: 500 MATING CYCLES

## ENVIRONMENTAL

OPERATING TEMPERATURE: -25 °C UP TO 85 °C  
 FLAMMABILITY RATING UL94-V0  
 COMPLIANCE: LEAD FREE AND ROHS

## ELECTRICAL

CURRENT RATING: 1.5 A  
 WORKING VOLTAGE: 120 VAC  
 INSULATION RESISTANCE: >500 mOHM  
 DIELECTRIC WITHSTANDING VOLTAGE: 1 000 VAC/MN  
 CONTACT RESISTANCE: 20 mOHM MAX

## SOLDERING

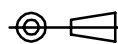
WAVE PROCESS ONLY

## PACKAGING

TRAY

RoHS Compliant

PROJECTION:



GENERAL TOLERANCE

.X = +/- 0.2

.XX = +/- 0.15



APPROVAL: RJ

UNIT: MM

DESCRIPTION: RJ11 VERTICAL

SIZE

MODIFICATIONS

SCALE:

WERI PART NO: 615006138521

**A4**

PDF

SHEET: 1/1

DATE

DRAW:

FILE

BY