

D/A Converter Series for Electronic Adjustments

Standard 8bit

2ch - 3ch Type D/A Converters

BH2219FVM, BH2220FVM



●Description

The BH2219FVM and BH2220FVM are 8bit R-2R-type D/A converters with 2 and 3 channels, respectively. A compact package allows adjacent placement, thereby eliminating deterioration of the D/A converter due to wire pattern. Furthermore, a built-in RESET function ensures that the output voltage at all channels is Low during power up. A broad power supply voltage range (2.7V-5.5V) is available, providing design flexibility.

●Features

- 1) Compact package enabling adjacent placement
- 2) Built-in RESET function
- 3) High speed output response characteristics
- 4) 3-line serial interface
- 5) Broad power supply voltage range: 2.7V-5.5V

●Applications

DVCs, DSCs, DVDs, CD-Rs, CD-RWs

●Lineup

Parameter	BH2219FVM	BH2220FVM
Power source voltage range	2.7V to 5.5V	2.7V to 5.5V
Number of channels	2ch	3ch
Current consumption	0.6mA	0.6mA
Differential non linearity error	±1.0LSB	±1.0LSB
Integral non linearity error	±1.5LSB	±1.5LSB
Output current performance	±1.0mA	±1.0mA
Settling time	100µs	100µs
Maximum data transfer frequency	10MHz	10MHz
Input method	CMOS	CMOS
Data latch method	LD method	LD method
Package	MSOP8	MSOP8

● Absolute Maximum Ratings

(Ta=25°C)

Parameter	Symbol	Limits	Unit	Remarks
Power source voltage	VCC	-0.3 to 7.0	V	-
Terminal voltage	VIN	-0.3 to VCC	V	-
Storage temperature range	TSTG	-55 to 125	°C	-
Power dissipation	PD	470*1	mW	-

*1 Derated at 4.7mW/C at Ta>25°C

*2 These products are not robust against radiation

● Recommended Operating Conditions

(Ta=25°C)

Parameter	Symbol	Limits			Unit	Remarks
		MIN.	TYP.	MAX.		
VCC power source voltage	VCC	2.7	-	5.5	V	-
Terminal input voltage range	VIN	0	-	VCC	V	-
Analog output current	IO	-1.0	-	1.0	mA	-
Action temperature range	TOPR	-30	-	85	°C	-
Serial clock frequency	FSCLK	-	1.0	10.0	MHz	-
Limit load capacity	CL	-	-	0.1	µF	-

● Electrical Characteristics

(Unless otherwise specified, VCC=3.0V, RL=OPEN, CL=0pF, Ta=25°C)

Parameter	Symbol	Limits			Unit	Conditions
		MIN.	TYP.	MAX.		
<Current consumption>						
VCC system	ICC	-	0.4	0.8	mA	CLK=1MHz, 80H setting
<Logic interface>						
L input voltage	VIL	GND	-	0.2VCC	V	
H input voltage	VIH	0.8VCC	-	VCC	V	
Input current	IIN	-10	-	10	µA	
<Buffer amplifier>						
Output zero scale voltage	ZS1	GND	-	0.1	V	00H setting, at no load
	ZS2	GND	-	0.3	V	00H setting, IOH=1.0mA
Output full scale voltage	FS1	VCC-0.1	-	VCC	V	FFH setting, at no load
	FS2	VCC-0.3	-	VCC	V	FFH setting, IOL=1.0mA
<D/A converter precision>						
Differential non linearity error	DNL	-1.0	-	1.0	LSB	Input code 02H to FDH
Integral non linearity error	INL	-1.5	-	1.5	LSB	Input code 02H to FDH
VCC power source voltage rise time	trVCC	100	-	-	µs	VCC=0→2.7V
Power ON reset release voltage	VPOR	-	1.9	-	V	

● Timing Chart

(Unless otherwise specified, VCC = 3.0V, Ta = 25°C)

Parameter	Symbol	Limits			Unit	Conditions
		MIN.	TYP.	MAX.		
CLK L level time	tCLKL	50	-	-	ns	
CLK H level time	tCLKH	50	-	-	ns	
DI setup time	tsDI	20	-	-	ns	
DI hold time	thDI	40	-	-	ns	
LD setup time	tsLD	50	-	-	ns	
LD hold time	thLD	50	-	-	ns	
LD H level time	tLDH	50	-	-	ns	
Output settling time	tOUT	-	-	100	μs	CL=50pF, RL=10kΩ

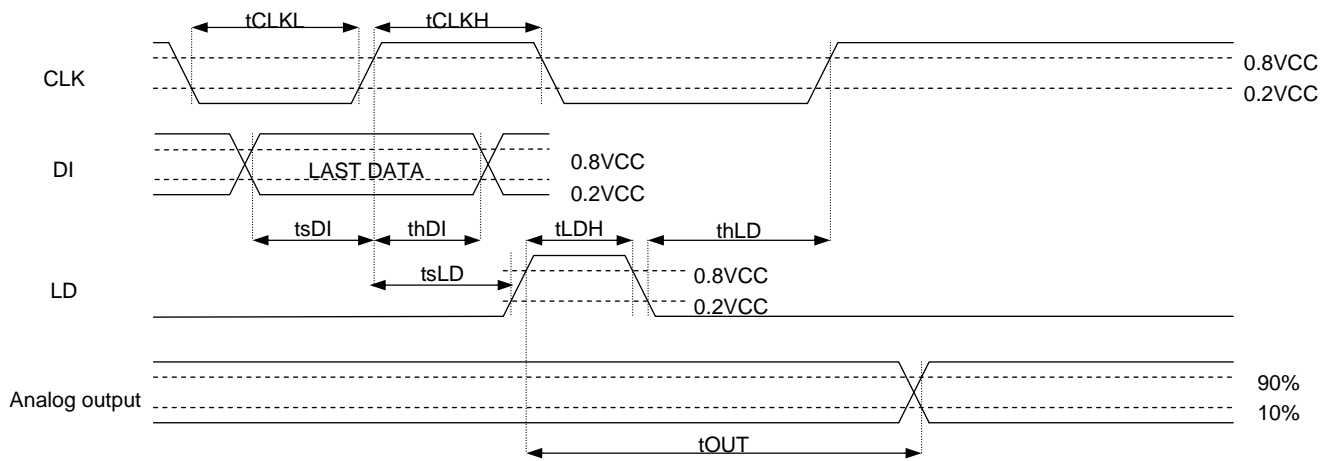


Fig.1

● Terminal Description / Block Diagrams

(BH2219FVM)

Terminal	Terminal name	Function
1	AO1	Analog output terminal
2	AO2	
3	TEST MONI	Test terminal (OPEN at normal use)
4	VCC	Power source terminal
5	GND	Ground terminal
6	DI	Serial data input terminal
7	CLK	Serial clock input terminal
8	LD	Serial data load input terminal

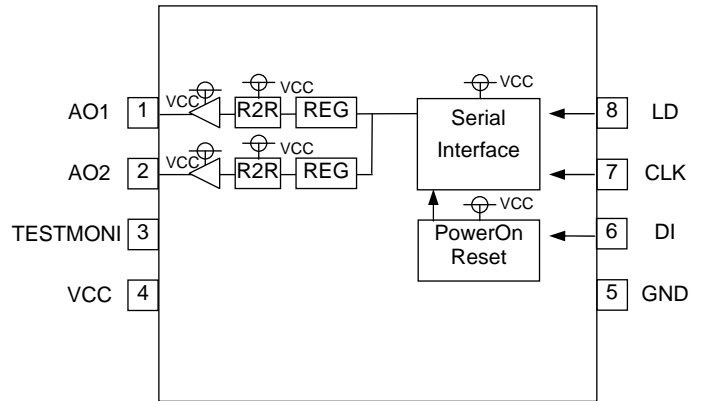


Fig.2

(BH2220FVM)

Terminal	Terminal name	Function
1	AO1	Analog output terminal
2	AO2	
3	AO3	
4	VCC	Power source terminal
5	GND	Ground terminal
6	DI	Serial data input terminal
7	CLK	Serial clock input terminal
8	LD	Serial data load input terminal

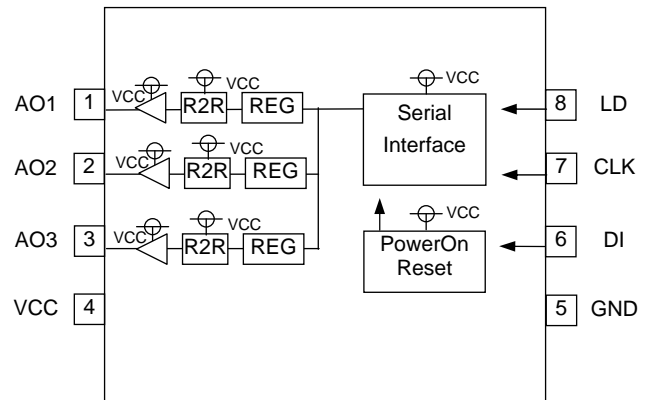


Fig.3

● Equivalent Circuits

Terminal	Equivalent circuit	Terminal	Equivalent circuit
AO1 AO2 AO3		DI CLK LD	

Fig.4 Equivalent circuit

● Operation Description

Serial Interface

The Control command consists of 3 lines of 12bit serial input data (MSB first).

D1 data is read at the rising edge of the CLK, and is held in the LD Low area.

The output data is determined in LD High area.

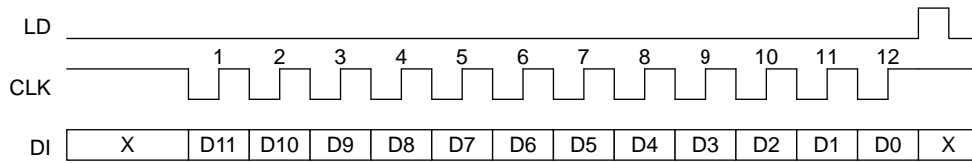


Fig.5

Data Settings

D0	D1	D2	D3	D4	D5	D6	D7	Setting
0	0	0	0	0	0	0	0	GND
1	0	0	0	0	0	0	0	(VCC-GND)/256x1
0	1	0	0	0	0	0	0	(VCC-GND)/256x2
1	1	0	0	0	0	0	0	(VCC-GND)/256x3
0	0	1	0	0	0	0	0	(VCC-GND)/256x4
~								~
0	1	1	1	1	1	1	1	(VCC-GND)/256x254
1	1	1	1	1	1	1	1	(VCC-GND)/256x255

Channel Setting (BH2219FVM)

D8	D9	D10	D11	Setting
0	0	X	X	AO1
1	0	X	X	AO2
0	1	X	X	Inconsequential
1	1	X	X	Inconsequential

Channel setting (BH2220FVM)

D8	D9	D10	D11	Setting
0	0	X	X	AO1
1	0	X	X	AO2
0	1	X	X	AO3
1	1	X	X	Inconsequential

● Electrical Characteristics Curves

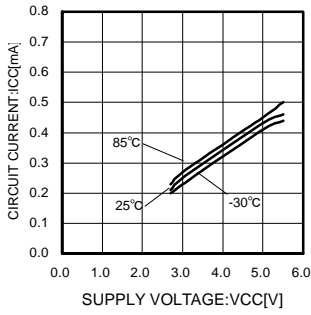


Fig.6 Action current consumption

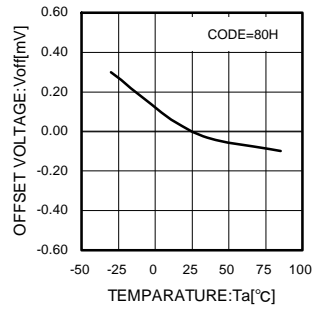


Fig.7 DC offset voltage

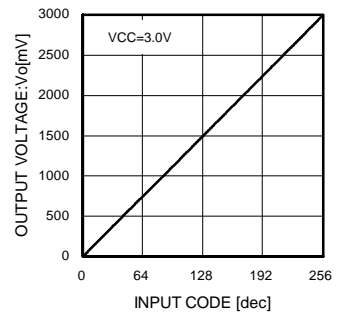


Fig.8 Output voltage characteristic

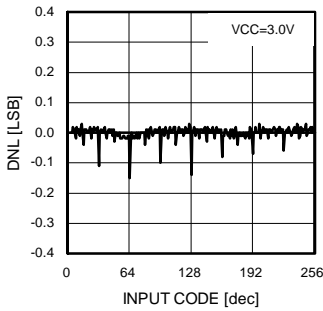


Fig.9 Differential non linearity error

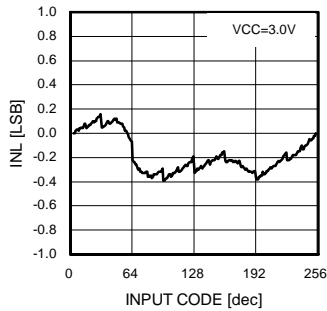


Fig.10 Integral non linearity error

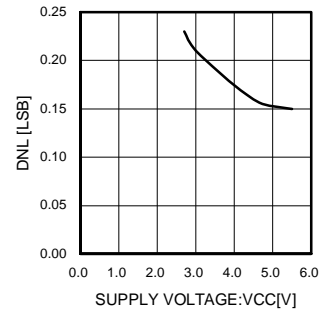


Fig.11 Power source voltage to differential non linearity

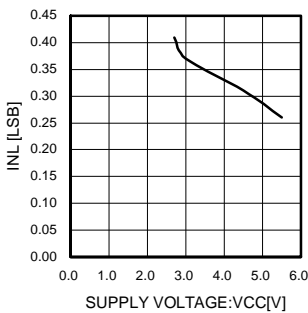


Fig.12 Power source voltage to integral non linearity error

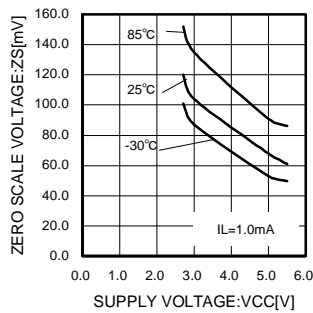


Fig.13 Output zero scale voltage

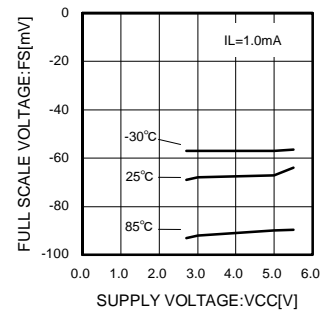


Fig.14 Output full scale voltage

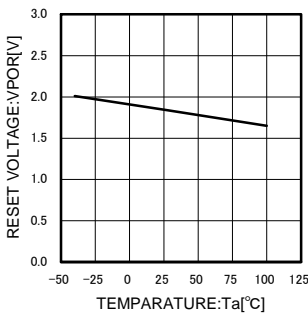


Fig.15 Reset release voltage

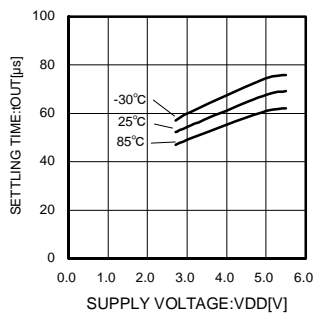


Fig.16 Settling time

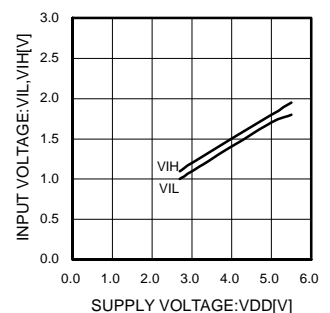


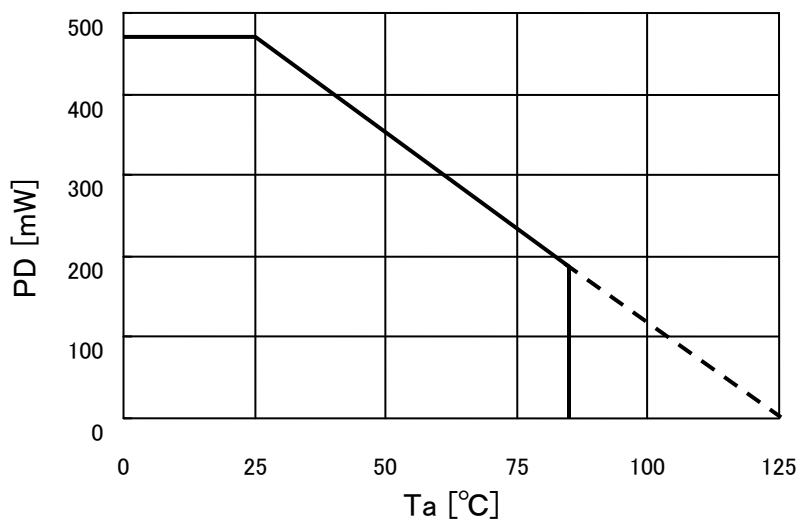
Fig.17 Input voltage

●Precautions

- (1) Numbers and data in entries are representative design values and are not guaranteed values of the items.
- (2) Although we are confident in recommending the sample application circuits, carefully check their characteristics further when using them. When modifying externally attached component constants before use, determine them so that they have sufficient margins by taking into account variations in externally attached components and the Rohm LSI, not only for static characteristics but also including transient characteristics.
- (3) Absolute maximum ratings
Operating or testing the device over the maximum specifications may damage the part itself as well as peripheral components. Therefore, please ensure that the specifications are not exceeded.
- (4) GND potential
Ensure that the GND terminal is at the lowest potential under all operating conditions.
- (5) Thermal design
Use a thermal design that allows for a sufficient margin regarding power dissipation (Pd) under actual operating conditions.
- (6) Terminal shorts and mis-mounting
Incorrect orientation or misalignment of the IC when mounting to the PCB may damage part. Short-circuits caused by the introduction of foreign matter between the output terminals or across the output and power supply or GND may also result in destruction.
- (7) Operation in a strong magnetic field
Operation in a strong electromagnetic field may cause malfunction.
- (8) Reset circuit
The power on reset circuit, which initializes internal settings, may malfunction during abrupt power ons. Therefore, set the time constant so as to satisfy the power source rise time.

●Thermal Derating Curve

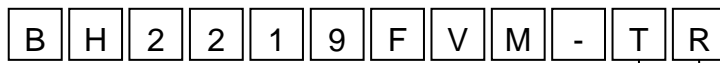
• MSOP8



Board size: 70 x 70 x 1.6mm Material : FR4 glass epoxy board (copper foil area less than 3%)

Fig.18

●Part Number Explanation

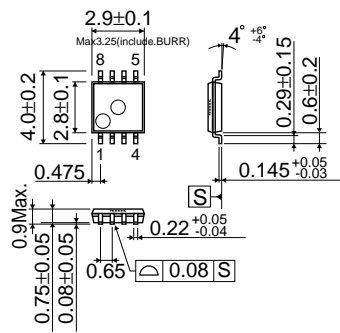


Part No.
BH2219FVM
BH2220FVM

Package and forming specification

MSOP8

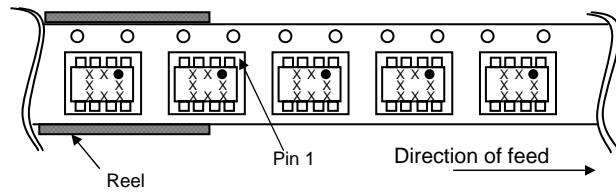
Dimension



(Unit:mm)

<Tape and Reel Information>

Tape	Embossed carrier tape
Quantity	3,000pcs
Direction of feed	TR (Pin 1 is the upper right when holding the reel with the left hand while pulling the tape out towards the right)



※Please order in multiples of the minimum quantity.

Notes

- No technical content pages of this document may be reproduced in any form or transmitted by any means without prior permission of ROHM CO.,LTD.
- The contents described herein are subject to change without notice. The specifications for the product described in this document are for reference only. Upon actual use, therefore, please request that specifications to be separately delivered.
- Application circuit diagrams and circuit constants contained herein are shown as examples of standard use and operation. Please pay careful attention to the peripheral conditions when designing circuits and deciding upon circuit constants in the set.
- Any data, including, but not limited to application circuit diagrams information, described herein are intended only as illustrations of such devices and not as the specifications for such devices. ROHM CO.,LTD. disclaims any warranty that any use of such devices shall be free from infringement of any third party's intellectual property rights or other proprietary rights, and further, assumes no liability of whatsoever nature in the event of any such infringement, or arising from or connected with or related to the use of such devices.
- Upon the sale of any such devices, other than for buyer's right to use such devices itself, resell or otherwise dispose of the same, no express or implied right or license to practice or commercially exploit any intellectual property rights or other proprietary rights owned or controlled by
- ROHM CO., LTD. is granted to any such buyer.
- Products listed in this document are no antiradiation design.

The products listed in this document are designed to be used with ordinary electronic equipment or devices (such as audio visual equipment, office-automation equipment, communications devices, electrical appliances and electronic toys).

Should you intend to use these products with equipment or devices which require an extremely high level of reliability and the malfunction of which would directly endanger human life (such as medical instruments, transportation equipment, aerospace machinery, nuclear-reactor controllers, fuel controllers and other safety devices), please be sure to consult with our sales representative in advance.

It is our top priority to supply products with the utmost quality and reliability. However, there is always a chance of failure due to unexpected factors. Therefore, please take into account the derating characteristics and allow for sufficient safety features, such as extra margin, anti-flammability, and fail-safe measures when designing in order to prevent possible accidents that may result in bodily harm or fire caused by component failure. ROHM cannot be held responsible for any damages arising from the use of the products under conditions out of the range of the specifications or due to non-compliance with the NOTES specified in this catalog.

Thank you for your accessing to ROHM product informations.

More detail product informations and catalogs are available, please contact your nearest sales office.

ROHM Customer Support System

THE AMERICAS / EUROPE / ASIA / JAPAN

www.rohm.com

Contact us : webmaster@rohm.co.jp