

Customer Information Sheet

DRAWING No.: M80-666XXXX

SHEET 2 OF 2

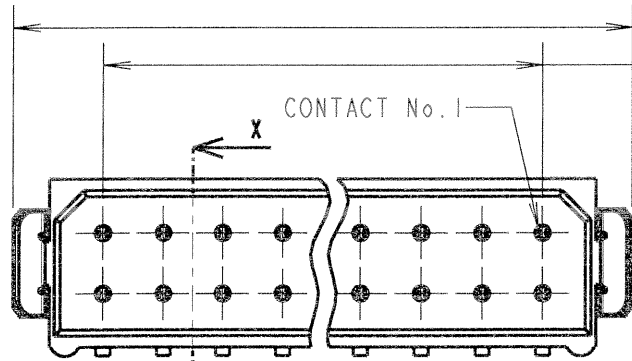
IF IN DOUBT - ASK

©

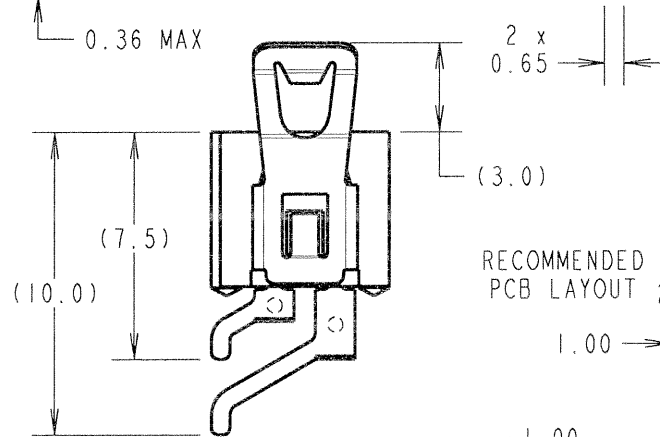
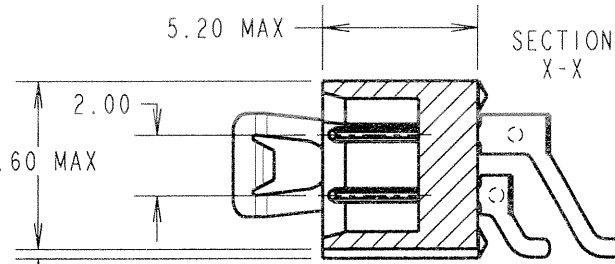
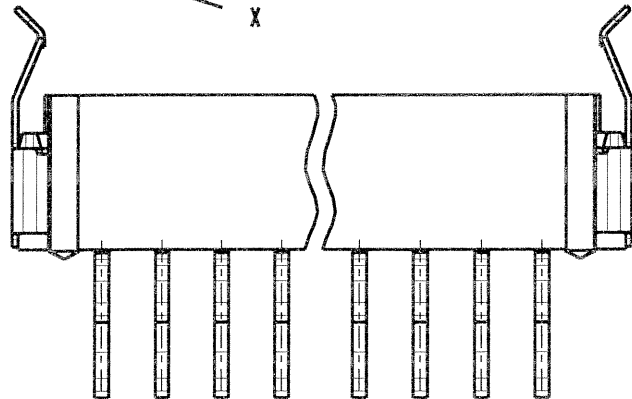
NOT TO SCALE

THIRD ANGLE PROJECTION

ALL DIMENSIONS IN mm



(2.00 x No. OF WAYS PER ROW) + 4.00 MAX
2.00 x No. OF PITCHES PER ROW



SPECIFICATIONS:

MATERIAL:
MOULDING = GLASS-FILLED POLYAMIDE 46, UL94V-0, BLACK
CONTACT = BRASS

FINISH:
CONTACT:
22 = 0.75µ GOLD ON CONTACT AREA,
0.3µ 90/10 TIN/LEAD ON TAILS
42 = 0.75µ GOLD ON CONTACT AREA,
0.3µ 100% TIN ON TAILS

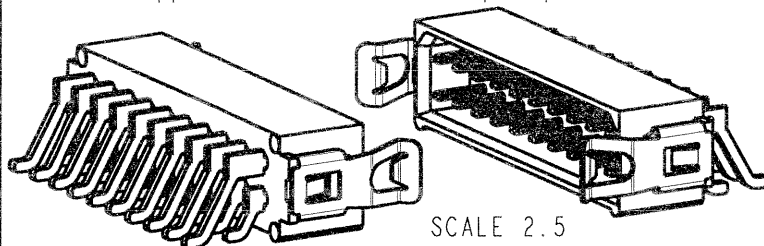
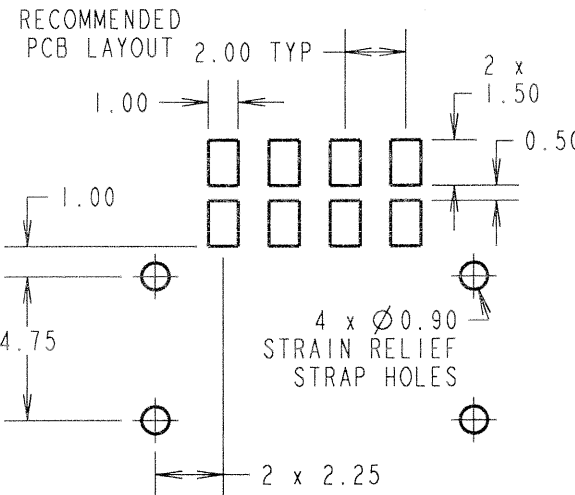
LATCH = NICKEL

ELECTRICAL:
CURRENT RATING AT 25°C = 3.0A MAX
CURRENT RATING AT 85°C = 2.2A MAX
WORKING VOLTAGE = 120V AC/DC
VOLTAGE PROOF = 360V AC/DC
CONTACT RESISTANCE = 25 mΩ MAX
INSULATION RESISTANCE = 100 MΩ MIN

MECHANICAL:
DURABILITY = 500 OPERATIONS

ENVIRONMENTAL:
TEMPERATURE RANGE = -55°C TO +125°C

PACKING:
TUBE, 2-OFF STRAIN RELIEF STRAPS PER CONNECTOR IN BAG
FOR COMPLETE SPECIFICATION, SEE COMPONENT SPECIFICATION C005XX (LATEST ISSUE)



SCALE 2.5

ORDER CODE:
M80-666XXXX

No. OF CONTACTS
04, 06, 08, 10, 12, 14,
16, 18, 20, 26, 34, 44

FINISH
22 - GOLD, 90/10 TIN/LEAD
42 - GOLD, 100% TIN

JMB	1	08.06.06	9258
NAME	ISS.	DATE	C/NOTE
APPROVED: <i>[Signature]</i>			
CHECKED: <i>[Signature]</i>			
DRAWN: W. J. BOURNE			
CUSTOMER REF.:			
ASSEMBLY DRG:			

HARWIN

THIS DRAWING AND ANY INFORMATION OR DESCRIPTIVE MATTER SET OUT HEREON ARE CONFIDENTIAL AND COPYRIGHT PROPERTY OF THE HARWIN GROUP AND MUST NOT BE DISCLOSED, LOANED, COPIED OR USED FOR MANUFACTURING, TENDERING OR FOR ANY OTHER PURPOSE WITHOUT THEIR WRITTEN PERMISSION.

TOLERANCES
X. = ±1mm
X.X = ±0.25mm
X.XX = ±0.10mm
X.XXX = ±0.01mm
ANGLES = ±5°
UNLESS STATED

MATERIAL:
SEE ABOVE

FINISH:
SEE ABOVE

S/AREA:
mm²

TITLE: STANDARD DATAMATE
DIL HORIZONTAL SMT MALE
ASSEMBLY (LATCHED)

DRAWING NUMBER:
M80-666XXXX

SHT
2 OF 2

HARWIN INC U.S.A. TEL: (812) 542 2540 FAX: (812) 542 2541	HARWIN PLC U.K. TEL: 023 9231 4545 FAX: 023 9231 4590	HARWIN PTE SINGAPORE TEL: 65 6779 4909 FAX: 65 6779 3868
---	---	--