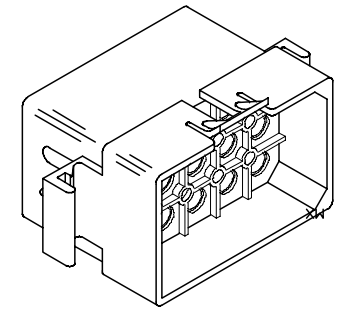
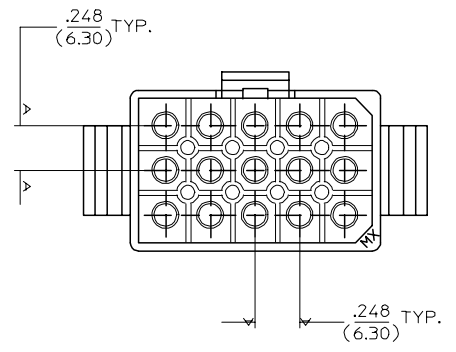
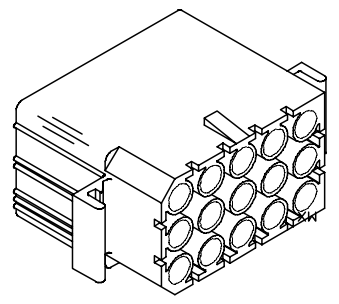
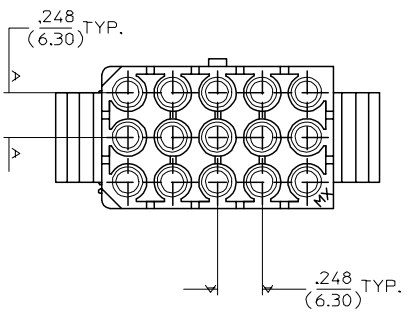
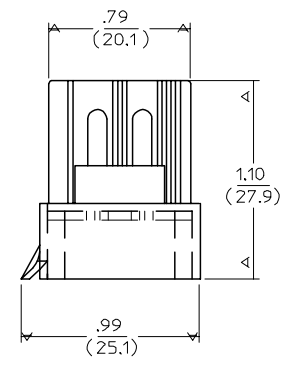
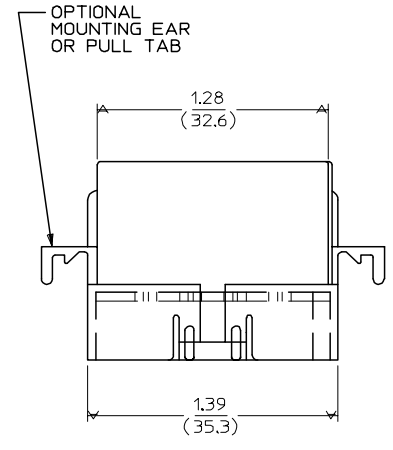
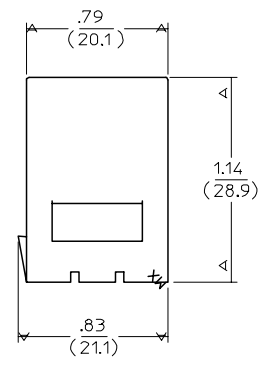
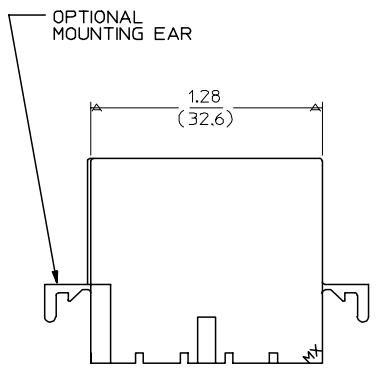
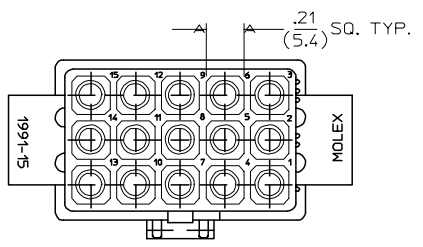
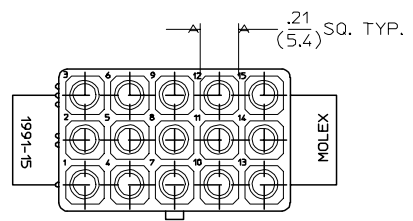


13 12 11 10 9 8 7 6 5 4 3 2 1

RECEPTACLE

PLUG



2	1
1	1
SHT. REV.	

UPDATE TITLE BLOCK EC NO: UCP2007-1498 DRW: AELHAG 2007/04/04 CHKD: AELHAG 2007/04/04 APPR: FSM TH 2007/04/04 REV. DESCRIPTION	QUALITY SYMBOLS	GENERAL TOLERANCES (UNLESS SPECIFIED) <table border="1"> <tr> <th>mm</th> <th>INCH</th> </tr> <tr> <td>4 PLACES ± .010</td> <td>± .010</td> </tr> <tr> <td>3 PLACES ± .014</td> <td>± .014</td> </tr> <tr> <td>2 PLACES ± 0.25</td> <td>± .014</td> </tr> <tr> <td>1 PLACE ± 0.35</td> <td>± .014</td> </tr> </table> ANGULAR ±1/2°	mm	INCH	4 PLACES ± .010	± .010	3 PLACES ± .014	± .014	2 PLACES ± 0.25	± .014	1 PLACE ± 0.35	± .014	DIMENSION STYLE IN/MM	SCALE 2:1	DESIGN UNITS INCH	THIRD ANGLE PROJECTION
	mm		INCH													
	4 PLACES ± .010		± .010													
	3 PLACES ± .014		± .014													
2 PLACES ± 0.25	± .014															
1 PLACE ± 0.35	± .014															
DRAWN BY KBW	DATE 1989/04/25	TITLE .093/(2.36) HOUSINGS, PLUG AND RECEPTACLE, 15 CKT .248/(6.30) CTRS.	MOLEX MOLEX INCORPORATED	MATERIAL NO. SD-1991-15*	SHEET NO. 1 OF 2											
CHECKED BY RW	DATE 1989/04/25	APPROVED BY RAS	DATE 1989/04/25													
DRAFT WHERE APPLICABLE MUST REMAIN WITHIN DIMENSIONS		SEE CHART														

12 11 10 9 8 7 6 5 4 3 2 1

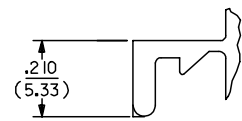
PLUG			RECEPTACLE		
ORDER NO	ENG NO	PKG. INFORMATION	ORDER NO	ENG NO	PKG. INFORMATION
19-09-2151	1991-15P	PK-1991-002	19-09-1151	1991-15R2	PK-1991-002
19-09-2153	1991-15P2	PK-1991-002	19-09-1152	1991-15R1	PK-1991-002
19-09-7151	1991-15PBK	PK-1991-001	19-09-6151	1991-15R2BK	PK-1991-001
-	-	-	19-09-6152	1991-15R1BK	PK-1991-001
-	-	-	-	-	-
-	-	-	-	-	-

LEGEND:

1991-15****

CIRCUIT SIZE

P = PLUG
R = RECEPTACLE



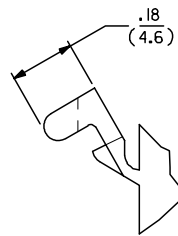
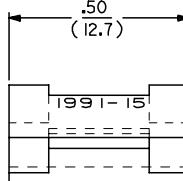
DETAIL A
STANDARD MOUNTING EAR
(SCALE 4:1)

BLANK = WITH PULL TABS
1 = WITHOUT EARS/WITHOUT PULL TABS
2 = WITH STANDARD EARS
3 = WITH PREBENT EARS

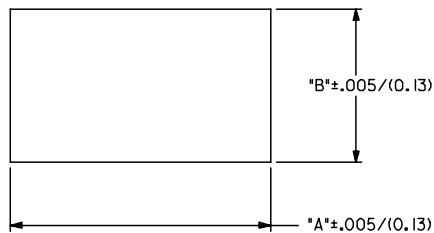
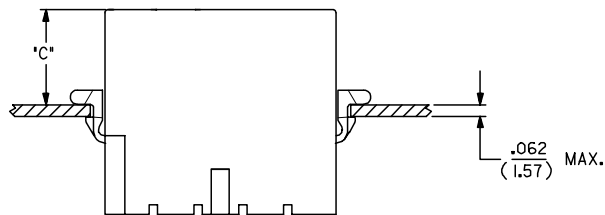
COLOR:

BLANK = NATURAL COLOR

AM = AMBER BK = BLACK BU = BLUE
BN = BROWN GY = GRAY GN = GREEN
OR = ORANGE RD = RED YW = YELLOW

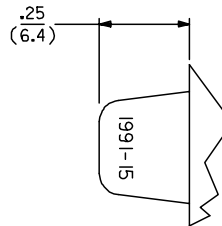


DETAIL B
PREBENT MOUNTING EAR
(SCALE 4:1)



RECOMMENDED PANEL OPENING

HOUSING	DIM. *A*	DIM. *B*	*C* PREBENT EAR	*C* STANDARD EAR
PLUG	1.552/(39.42)	.910/(23.11)	.31/(7.9)	.30/(7.6)
RECEPT.	1.442/(36.63)	.850/(21.60)	.54/(13.7)	.53/(13.5)



DETAIL C
PULL TAB
(SCALE 4:1)

NOTES:

- MATERIAL: NYLON TYPE 6/6, 94V-2.
- FINISH: N/A
- PRODUCT SPECIFICATION: PS-02-09
- PACKAGING SPECIFICATION: SEE CHART
- HOUSINGS FOR USE WITH MOLEX STANDARD .093/(2.36) TYPE TERMINALS
- PARTS CONFORM TO CLASS B REQUIREMENTS OF COSMETIC SPECIFICATION PS-45499-002.

ADD NOTES 2,4 & 6 EC NO: UCP2007-1498 DRW: AELHAG 2007/04/04 CHKD: AELHAG 2007/04/04 APPR: FSM TH 2007/04/04 REVISIONS DESCRIPTION	QUALITY SYMBOLS	GENERAL TOLERANCES (UNLESS SPECIFIED)	DIMENSION STYLE	SCALE	DESIGN UNITS	THIRD ANGLE PROJECTION
	$\nabla=0$ $\nabla=0$	mm INCH 4 PLACES ± --- ± --- 3 PLACES ± --- ± .010 2 PLACES ± 0.25 ± .014 1 PLACE ± 0.35 ± --- ANGULAR ±1/2°	IN/MM	2:1	INCH	
			DRAWN BY	DATE	TITLE	
			CHECKED BY	DATE		
		APPROVED BY	DATE			
		MATERIAL NO.		MATERIAL NO.	DOCUMENT NO.	SHEET NO.
		DRAFT WHERE APPLICABLE MUST REMAIN WITHIN DIMENSIONS	SEE CHART			2 OF 2
				THIS DRAWING CONTAINS INFORMATION THAT IS PROPRIETARY TO MOLEX INCORPORATED AND SHOULD NOT BE USED WITHOUT WRITTEN PERMISSION		

.093/(2.36) HOUSINGS,
PLUG AND RECEPTACLE
15 CKT .248/(6.30) CTRS.

MOLEX INCORPORATED

SD-1991-15*