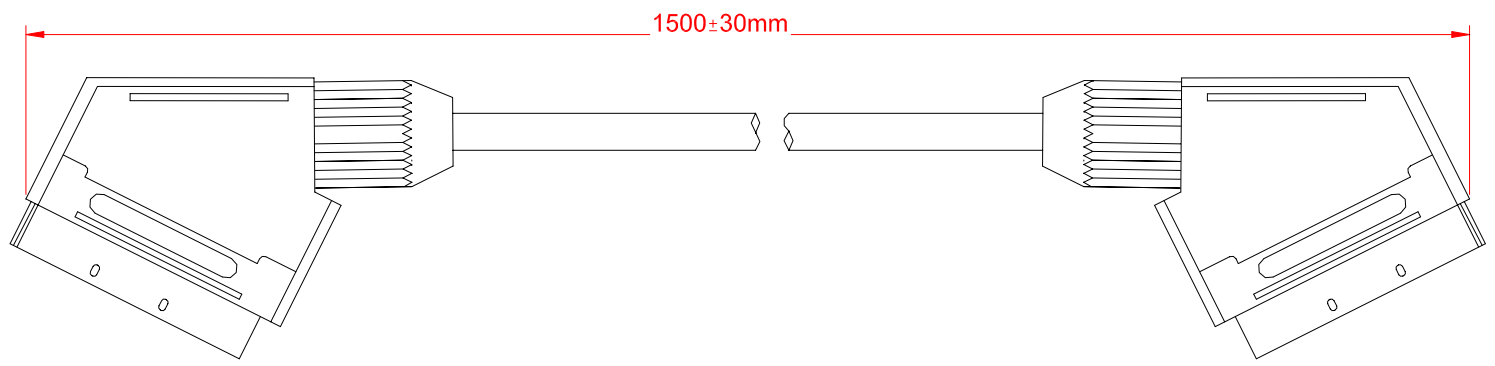
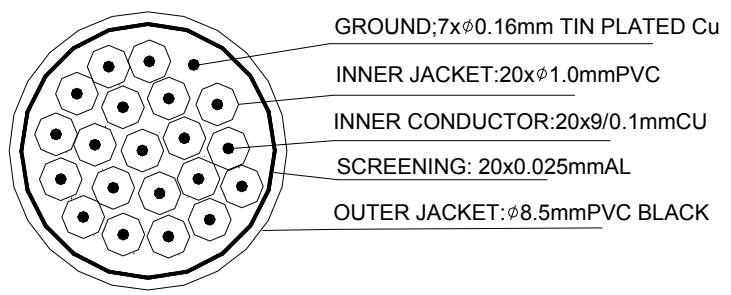


ECN Symbol	ECN No.	Descriptions	Date
			July 2003

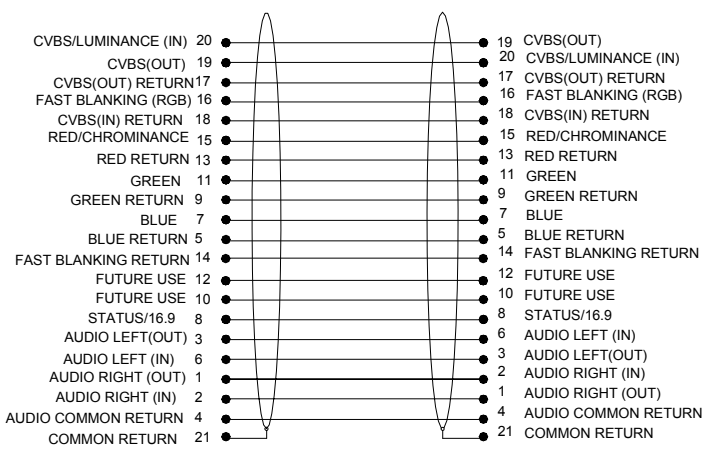


CRIMP TYPE 21PIN(P-P)

SECTION



WIRING DIAGRAM



Prepared	Neil Tang	Material			Scart(p) to Scart(p)
Checked		Finish			Model
Approved		Q'ty	VER.	Scale	Parts
Unit mm			A-1		
Ref/No.		Page	JESMAY		