

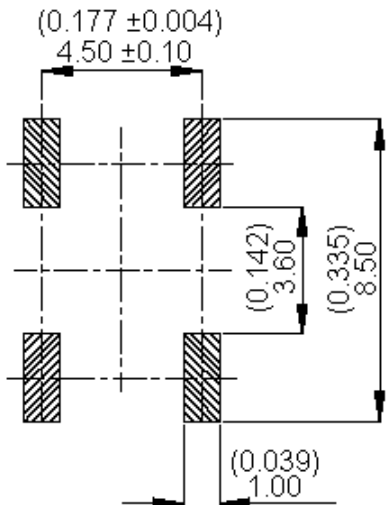
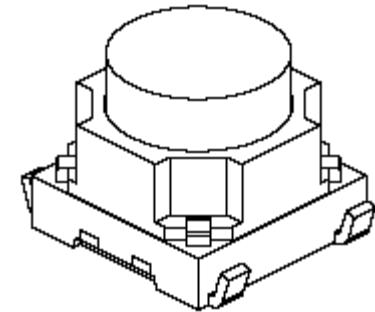
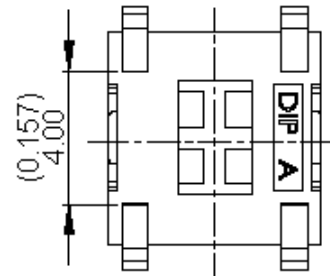
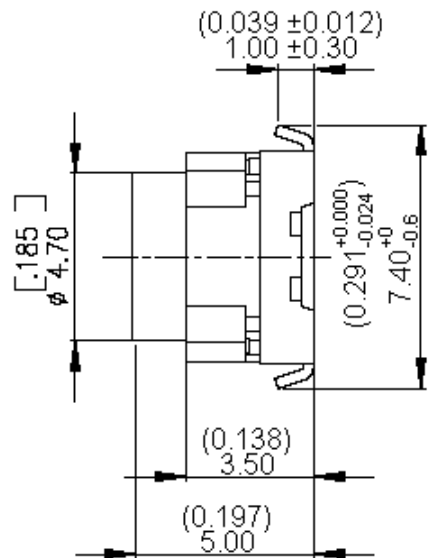
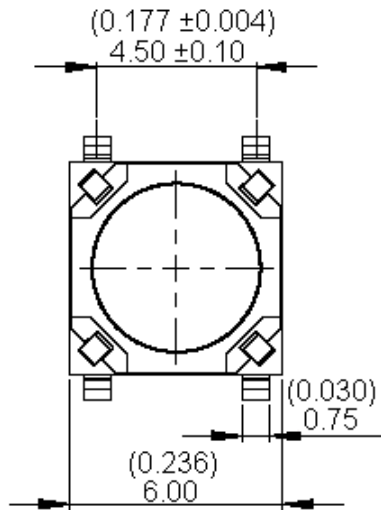


PART NO.

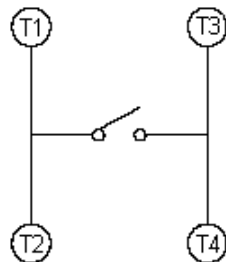
MCLTL-613R

REVISIONS

ECN #	REV	DESCRIPTION	DRAWN	DATE	CHECKD	DATE	APPRVD	DATE
-	A	RELEASED	Jagan	11/2/08	Suresh	11/2/08	G. C	26/2/08



PCB Layout



Circuit Diagram

Dimensions : Millimetres (Inches)

This data sheet and its contents (the "Information") belong to the Premier Farnell Group (the "Group") or are licensed to it. No licence is granted for the use of it other than for information purposes in connection with the products to which it relates. No licence of any intellectual property rights is granted. The Information is subject to change without notice and replaces all data sheets previously supplied. The Information supplied is believed to be accurate but the Group assumes no responsibility for its accuracy or completeness, any error in or omission from it or for any use made of it. Users of this data sheet should check for themselves the Information and the suitability of the products for their purpose and not make any assumptions based on information included or omitted. Liability for loss or damage resulting from any reliance on the Information or use of it (including liability resulting from negligence or where the Group was aware of the possibility of such loss or damage arising) is excluded. This will not operate to limit or restrict the Group's liability for death or personal injury resulting from its negligence. SPC MULTICOMP is the registered trademark of the Group. © Premier Farnell plc 2008.

TOLERANCES:
UNLESS OTHERWISE SPECIFIED, DIMENSIONS ARE FOR REFERENCE PURPOSES ONLY.

DRAWN BY:	DATE:
Jagan	11/02/08
CHECKED BY:	DATE:
Suresh	11/02/08
APPROVED BY:	DATE:
G.Cook	26/02/08

DRAWING TITLE:			
Push Button TACT Switch - Long Travel			
SIZE	DWG NO.	ELECTRONIC FILE	REV
A	M10000818	LTL-6V_DWG	A
SCALE: NTS		U.O.M.: mm (Inches)	SHEET: 1 OF 3



PART NO.

MCLTL-613R

REVISIONS

ECN #	REV	DESCRIPTION	DRAWN	DATE	CHECKD	DATE	APPRVD	DATE
-	A	RELEASED	Jagan	11/2/08	Suresh	11/2/08	G. C	26/2/08

Specifications:

Mechanical:

Mechanical life : 30,000 operations.
 Operating force : 200 ±150gf Red (R).
 Operating temperature : -40 to +85°C.
 Storage temperature : -40 to +85°C.
 Stroke : 1.30+0.10/-0.30mm

Electrical:

Electrical life : 30,000 cycles.
 Rating : 50mA, 12V dc.
 Maximum contact resistance : 100mΩ at 500V dc.
 Minimum insulation resistance : 100MΩ at 500V dc.
 Dielectric strength : 300V ac/1 minute.
 Contact arrangement : 1 pole 1 throw.

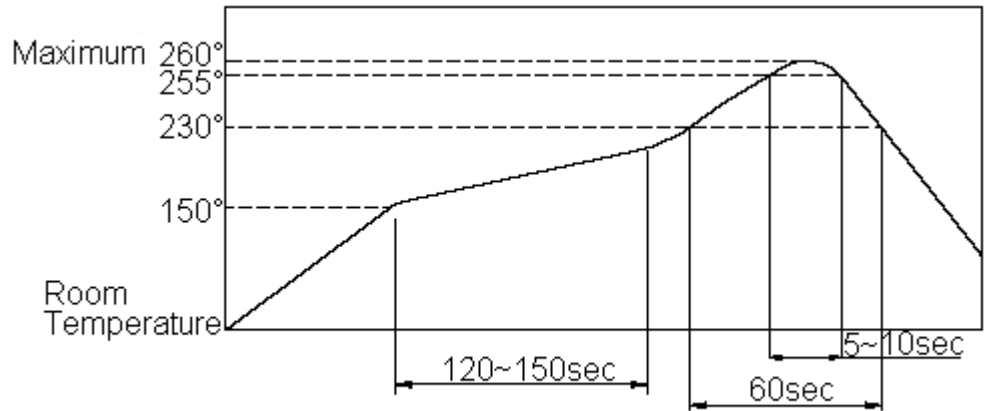
Materials:

Cover : Nylon UL 94V-0 high-temperature thermoplastic.
 Colour : Black.
 Silicone dome : Silicone rubber with metal contact .
 With gold plating.
 Stem : Nylon UL 94V-0 high-temperature thermoplastic.
 Colour : Red.
 Base : Nylon UL 94V-0 high-temperature thermoplastic.
 Colour : Black.
 Terminal : Brass, With silver plating.

Soldering Process:

Hand soldering : Use a soldering iron of 30 watts, controlled at 350°C approximately 5 seconds while applying solder.

Reflow soldering : When applying reflow soldering, the peak temperature or the reflow oven should be set to 260°C maximum.



Reflow Temperature Profile

This data sheet and its contents (the "Information") belong to the Premier Farnell Group (the "Group") or are licensed to it. No licence is granted for the use of it other than for information purposes in connection with the products to which it relates. No licence of any intellectual property rights is granted. The Information is subject to change without notice and replaces all data sheets previously supplied. The Information supplied is believed to be accurate but the Group assumes no responsibility for its accuracy or completeness, any error in or omission from it or for any use made of it. Users of this data sheet should check for themselves the Information and the suitability of the products for their purpose and not make any assumptions based on information included or omitted. Liability for loss or damage resulting from any reliance on the Information or use of it (including liability resulting from negligence or where the Group was aware of the possibility of such loss or damage arising) is excluded. This will not operate to limit or restrict the Group's liability for death or personal injury resulting from its negligence. SPC MULTICOMP is the registered trademark of the Group. © Premier Farnell plc 2008.

TOLERANCES:

UNLESS OTHERWISE SPECIFIED, DIMENSIONS ARE FOR REFERENCE PURPOSES ONLY.

DRAWN BY:	DATE:
Jagan	11/02/08
CHECKED BY:	DATE:
Suresh	11/02/08
APPROVED BY:	DATE:
G.Cook	26/02/08

DRAWING TITLE:

Push Button TACT Switch - Long Travel

SIZE A	DWG NO. M10000818	ELECTRONIC FILE LTL-6V_DWG	REV A
SCALE: NTS		U.O.M.: mm (Inches)	SHEET: 2 OF 3



PART NO.

MCLTL-613R

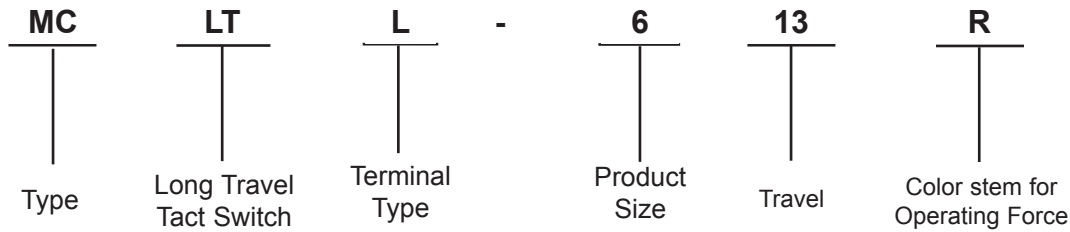
REVISIONS

ECN #	REV	DESCRIPTION	DRAWN	DATE	CHECKD	DATE	APPRVD	DATE
-	A	RELEASED	Jagan	11/2/08	Suresh	11/2/08	G. C	26/2/08

Part Number Table

Description	Part Number
Switch, Tactile SPST SMD	MCLTL-613R

Part Number Explanation:



- Terminal Type : L = With L SMT Terminal.
- Product Size : 6 = 6 x 6mm.
- Travel : 13 = 1.3mm.
- Color stem for Operating Force : R = 200gf.

<http://www.farnell.com>
<http://www.newark.com>
<http://www.cpc.co.uk>

This data sheet and its contents (the "Information") belong to the Premier Farnell Group (the "Group") or are licensed to it. No licence is granted for the use of it other than for information purposes in connection with the products to which it relates. No licence of any intellectual property rights is granted. The Information is subject to change without notice and replaces all data sheets previously supplied. The Information supplied is believed to be accurate but the Group assumes no responsibility for its accuracy or completeness, any error in or omission from it or for any use made of it. Users of this data sheet should check for themselves the Information and the suitability of the products for their purpose and not make any assumptions based on information included or omitted. Liability for loss or damage resulting from any reliance on the Information or use of it (including liability resulting from negligence or where the Group was aware of the possibility of such loss or damage arising) is excluded. This will not operate to limit or restrict the Group's liability for death or personal injury resulting from its negligence. SPC MULTICOMP is the registered trademark of the Group. © Premier Farnell plc 2008.

TOLERANCES:
UNLESS OTHERWISE SPECIFIED, DIMENSIONS ARE FOR REFERENCE PURPOSES ONLY.

DRAWN BY:	DATE:
Jagan	11/02/08
CHECKED BY:	DATE:
Suresh	11/02/08
APPROVED BY:	DATE:
G.Cook	26/02/08

DRAWING TITLE:			
Push Button TACT Switch - Long Travel			
SIZE	DWG NO.	ELECTRONIC FILE	REV
A	M10000818	LTL-6V_DWG	A
SCALE: NTS		U.O.M.: mm (Inches)	SHEET: 3 OF 3