


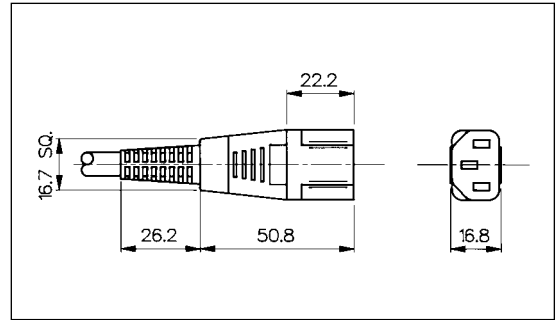
BS EN60 320-1 (Standard Sheet C13 Class I) Non Rewirable Cold Condition

IEC FEMALE STRAIGHT




PZ0100/Length

- Non Rewirable
- Various Cable Lengths
- Choice of Colours
- 10A, 250V a.c.

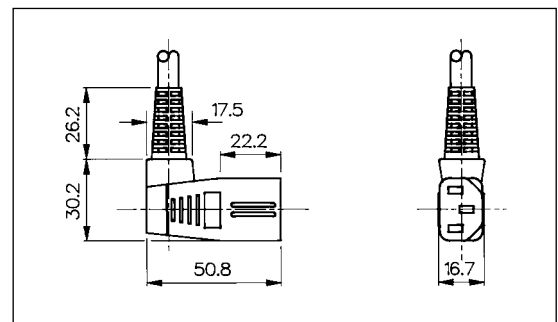


IEC FEMALE ANGLED



PZ0200/Length

- Non Rewirable
- Various Cable Lengths
- Choice of Colours
- 10A, 250V a.c.





IEC CONNECTORS

Ordering Data

Length	PZ0100	PZ0200
2 Metres	PZ0100/2M00	PZ0200/2M00
2.5 Metres	PZ0100/2M50	PZ0200/2M50
3 Metres	PZ0100/3M00	PZ0200/3M00

For grey or white versions add colour suffix /GY or /WH
e.g. PZ0100/2M00/WH = 2 metre length, colour white

Specification	PZ0100/Length/Colour	PZ0200/Length/Colour
Cable Lengths (standard):	2m (/2M00), 2.5m (/2M50), 3m (/3M00)	2m (/2M00), 2.5m (/2M50), 3m (/3M00)
Cable type: 2m and under over 2m	0.75mm ² 1.00mm ²	0.75mm ² 1.00mm ²
Terminations:	Bared ends	Bared ends
Max. Rating:	10A, 250V a.c.	10A, 250V a.c.
Contact Resistance:	<10mΩ	<10mΩ
Insulation Resistance:	>10 ⁵ MΩ @ 500V d.c.	>10 ⁵ MΩ @ 500V d.c.
A.C. Breakdown:	Pole-Pole 6.5kV Poles-Accessible parts 5kV	Pole-Pole 6.5kV Poles-Accessible parts 5kV
Operating Temp. Range:	0°C to +70°C	0°C to +70°C
Withdrawal Force:	10N (Min.) 50N (Max.)	10N (Min.) 50N (Max.)
Mouldings:	Polycarbonate Flammability Rating UL 94V-0	Polycarbonate Flammability Rating UL 94V-0
Contacts:	Phosphor Bronze	Phosphor Bronze
Approvals:	 *Pending	 *Pending
Mates with:	PX0575, PX0579, PX0580, PF0001, PF0011, PF0030, PF0033	
Colours:	Black (blank), Grey (/GY), White (/WH)	Black (blank), Grey (/GY), White (/WH)
Variants:	For other lengths please contact the sales office	
RoHS	Compliant	Compliant