



# 5.08mm (.200") Pitch Beau Eurostyle® Plug Terminal Block

## 39980, 39981 Screw Clamp



**98 Series**

### FEATURES AND SPECIFICATIONS

#### Features and Benefits

- 2 to 24 circuits
- High reliability dual beam female contact provides repeatable, gas-tight connection
- Plug & header positive latching system prevents plug movement, freeing hands for easy termination
- Polarizing feature eliminates potential mis-mating and facilitates blind-mating

#### Reference Information

UL : File No. E48521  
Guide No. XCFR2  
UL Recognized Component to US and Canadian safety requirements

#### Electrical

Voltage: 300V  
Maximum Current: 10 Amp  
Insulation Resistance: >5000 Megaohms

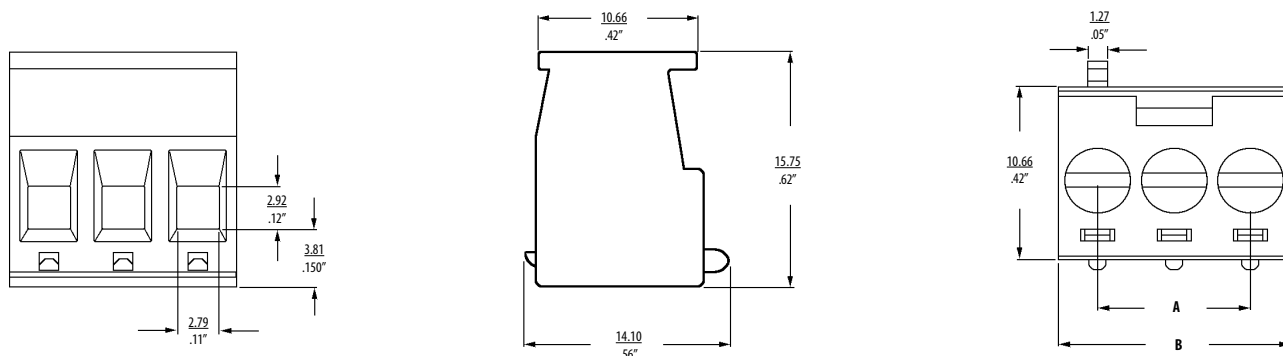
#### Mechanical

Rec. Tightening Torque: 4 in. lbs., .45 Nm  
Operating Temperature: 140°C  
Wire Strip Length: 1/4" or 6mm

#### Physical

Housing: Polyimide 6/6 .6 UL94V-0, Black  
Pressure Clamp: Brass  
Pressure Clamp Plating: Nickel  
Contacts: Phosphor Bronze  
Contact Plating: Tin (optional gold)  
Screws: 3mm Steel  
Screw Plating: Zinc chromate  
Wire Range: 12 to 24 AWG, 2.5 to 0.2mm<sup>2</sup>

### CATALOG DRAWING (FOR REFERENCE ONLY)



### ORDERING INFORMATION AND DIMENSIONS

| Part Numbers * |              |             |              | # of Circuits | Dimensions |        |       |        |
|----------------|--------------|-------------|--------------|---------------|------------|--------|-------|--------|
| Tin Plated     |              | Gold Plated |              |               | A          |        | B     |        |
| Order #        | Engineering# | Order #     | Engineering# |               | in         | mm     | in    | mm     |
| 39980-0302     | 980902       | 39981-0302  | 980902-G30   | 2             | .20        | 5.08   | .418  | 10.62  |
| 39980-0303     | 980903       | 39981-0303  | 980903-G30   | 3             | .40        | 10.16  | .618  | 15.70  |
| 39980-0304     | 980904       | 39981-0304  | 980904-G30   | 4             | .60        | 15.24  | .818  | 20.78  |
| 39980-0305     | 980905       | 39981-0305  | 980905-G30   | 5             | .80        | 20.32  | 1.018 | 25.86  |
| 39980-0306     | 980906       | 39981-0306  | 980906-G30   | 6             | 1.00       | 25.40  | 1.218 | 30.94  |
| 39980-0307     | 980907       | 39981-0307  | 980907-G30   | 7             | 1.20       | 30.48  | 1.418 | 36.02  |
| 39980-0308     | 980908       | 39981-0308  | 980908-G30   | 8             | 1.40       | 35.56  | 1.618 | 41.10  |
| 39980-0309     | 980909       | 39981-0309  | 980909-G30   | 9             | 1.60       | 40.64  | 1.818 | 46.18  |
| 39980-0310     | 980910       | 39981-0310  | 980910-G30   | 10            | 1.80       | 46.18  | 2.018 | 51.26  |
| 39980-0311     | 980911       | 39981-0311  | 980911-G30   | 11            | 2.00       | 50.20  | 2.218 | 56.34  |
| 39980-0312     | 980912       | 39981-0312  | 980912-G30   | 12            | 2.20       | 55.88  | 2.418 | 61.42  |
| 39980-0313     | 980913       | 39981-0313  | 980913-G30   | 13            | 2.40       | 60.96  | 2.618 | 66.50  |
| 39980-0314     | 980914       | 39981-0314  | 980914-G30   | 14            | 2.60       | 66.04  | 2.818 | 71.58  |
| 39980-0315     | 980815       | 39981-0315  | 980915-G30   | 15            | 2.80       | 71.12  | 3.018 | 76.66  |
| 39980-0316     | 980916       | 39981-0316  | 980916-G30   | 16            | 3.00       | 76.20  | 3.218 | 81.74  |
| 39980-0317     | 980917       | 39981-0317  | 980917-G30   | 17            | 3.20       | 81.28  | 3.418 | 86.82  |
| 39980-0318     | 980918       | 39981-0318  | 980918-G30   | 18            | 3.40       | 86.36  | 3.618 | 91.90  |
| 39980-0319     | 980919       | 39981-0319  | 980919-G30   | 19            | 3.60       | 91.44  | 3.818 | 96.98  |
| 39980-0320     | 980920       | 39981-0320  | 980920-G30   | 20            | 3.80       | 96.52  | 4.018 | 102.06 |
| 39980-0321     | 980921       | 39981-0321  | 980921-G30   | 21            | 4.00       | 101.60 | 4.218 | 107.14 |
| 39980-0322     | 980922       | 39981-0322  | 980922-G30   | 22            | 4.20       | 106.68 | 4.418 | 112.22 |
| 39980-0323     | 980923       | 39981-0323  | 983023-G30   | 23            | 4.40       | 111.76 | 4.618 | 117.30 |
| 39980-0324     | 980924       | 39981-0324  | 983024-G30   | 24            | 4.60       | 116.84 | 4.818 | 122.38 |

\* Consult factory for imprinting and special options

Molex Industrial Division  
New England Operations  
Gilford, NH 03249-6600  
Phone (603) 524-5101  
Fax (603) 524-1627