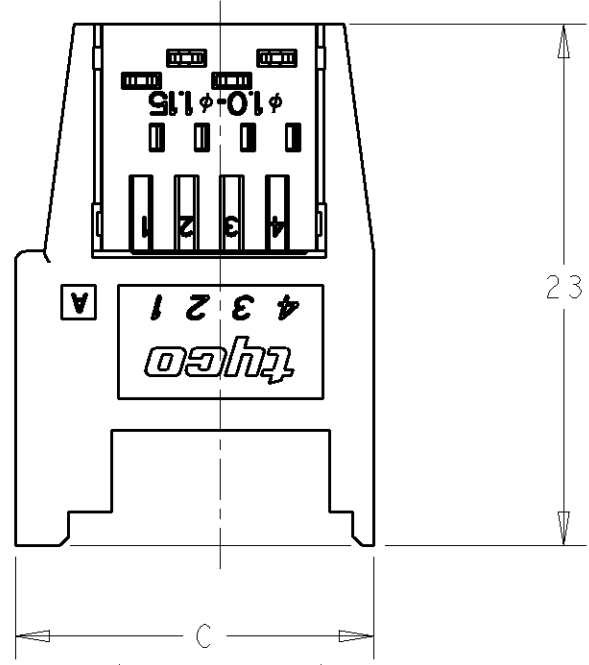


THIS DRAWING IS UNPUBLISHED. RELEASED FOR PUBLICATION 20
 © COPYRIGHT 20 BY TYCO ELECTRONICS CORPORATION. ALL RIGHTS RESERVED.

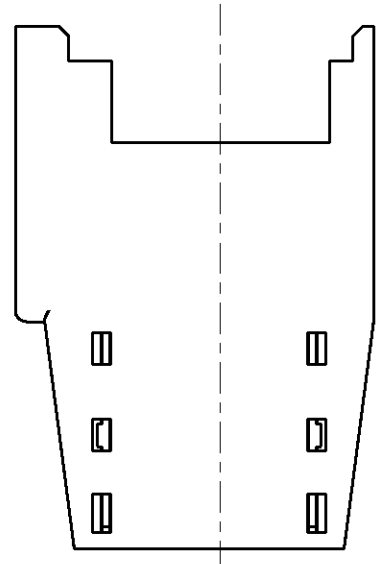
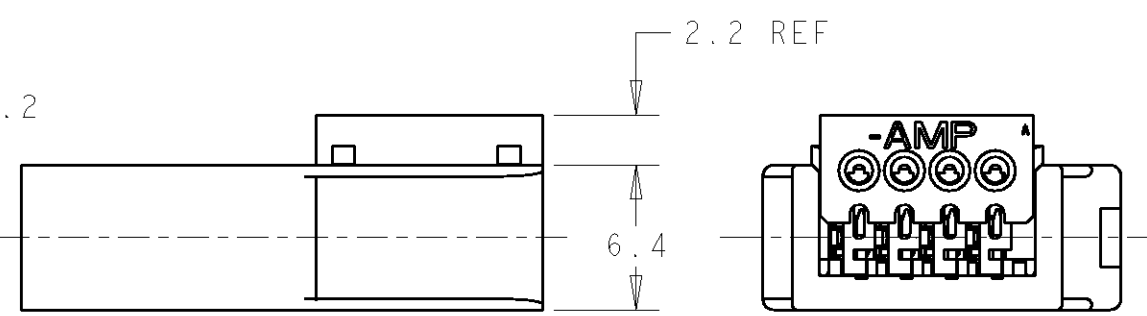
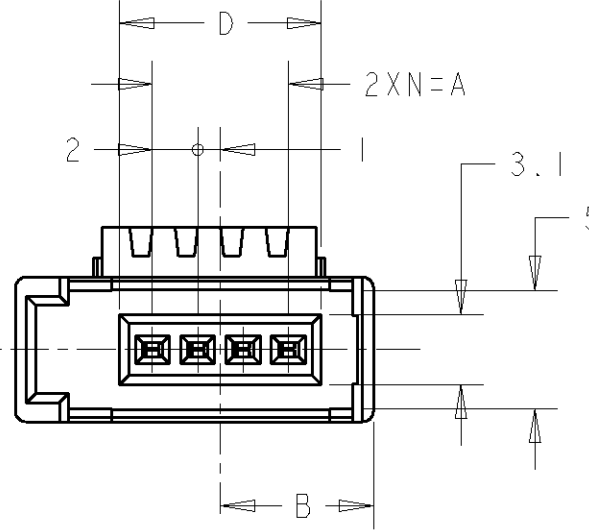
LOC	DIST	REVISIONS						
		P	LTR	DESCRIPTION	ECN	DATE	DWN	APVD
J	-	0		RELEASED	FJD0-0183-04	02FEB2004	J.A	S.M



1746741-4: AS SHOWN
 1746741-4: 本図

1. 材料: RELAY HOUSING: ガラス入り熱可塑性ポリエステル樹脂、94V-0、黒
 HOLD HOUSING: ポリカーボネイト 94V-0 黄色: 0-, 赤色: 1-, 青色: 2-
 コンタクト: 銅合金
 2. メッキ: コンタクト: 全面ニッケルメッキ下地 1.27μm MIN
 接点部: 金メッキ 0.2μm MIN

1. MATERIAL: RELAY HOUSING: GLASS FILED THERMOPLASTIC, 94V-0, BLACK.
 HOLD HOUSING: PC, 94V-0, YELLOW: 0-, RED: 1-, BLUE: 2-.
 CONTACT: COPPER ALLOY.
 2. FINISH: UNDERPLATE: Ni 1.27μm min.
 CONTACT AREA: Au 0.2μm min.



<Table of Insulation Dia (Cable suitable for e-CON.)>
 <被覆外径一覧表 (e-CON 適応電線)>

HOLD HSG COLOR	INSULATION DIA	P/N	SHEET No
RED	φ0.90~1.00	1-1746741-□	SEE SHEET 1
YELLOW	φ1.00~1.15	1746741-□	SEE SHEET 1
BLUE	φ1.15~1.35	2-1746741-□	SEE SHEET 1
GREEN	φ1.35~1.60	4-1746741-□	SEE SHEET 2

BLUE	16.9	23.8	10.75	14	7	8	2-1746741-8
RED	16.9	23.8	10.75	14	7	8	1-1746741-8
YELLOW	16.9	23.8	10.75	14	7	8	1746741-8
BLUE	12.9	19.8	8.75	10	5	6	2-1746741-6
RED	12.9	19.8	8.75	10	5	6	1-1746741-6
YELLOW	12.9	19.8	8.75	10	5	6	1746741-6
BLUE	8.9	15.8	6.75	6	3	4	2-1746741-4
RED	8.9	15.8	6.75	6	3	4	1-1746741-4
YELLOW	8.9	15.8	6.75	6	3	4	1746741-4
BLUE	6.9	13.8	5.75	4	2	3	2-1746741-3
RED	6.9	13.8	5.75	4	2	3	1-1746741-3
YELLOW	6.9	13.8	5.75	4	2	3	1746741-3
HOLD HSG COLOR	D	C	B	A	N	POS	P/N

THIS DRAWING IS A CONTROLLED DOCUMENT FOR TYCO ELECTRONICS CORPORATION
 IT IS SUBJECT TO CHANGE AND THE CONTROLLING ENGINEERING ORGANIZATION
 SHOULD BE CONTACTED FOR THE LATEST REVISION.

DIMENSIONS:	TOLERANCES UNLESS OTHERWISE SPECIFIED:
単位: 概 mm	一般公差 ±0.2
	0-PLC ±
	1-PLC ±
	2-PLC ±
	3-PLC ±
	4-PLC ±
ANGLES	±3°
MATERIAL 材料	FINISH 仕上
SEE NOTE	SEE NOTE

DWN J.AKASAKA 02FEB2004	Tyco Electronics AMP K.K. Kawasaki, Japan
CHK D.MITSUGI 02FEB2004	
APVD S.MANABE 02FEB2004	
PRODUCT SPEC 108-5765	
APPLICATION SPEC	NAME 名称
取付適用規格	SOCKET ASSY E-CON RITS CONN.
WEIGHT -	SIZE A3
CUSTOMER DRAWING	CAGE CODE 00779
	DRAWING NO 1746741
	RESTRICTED TO -
	SCALE 3:1
	SHEET 1 OF 2
	REV 0

取扱説明書 (Instruction Sheet): 411-78014

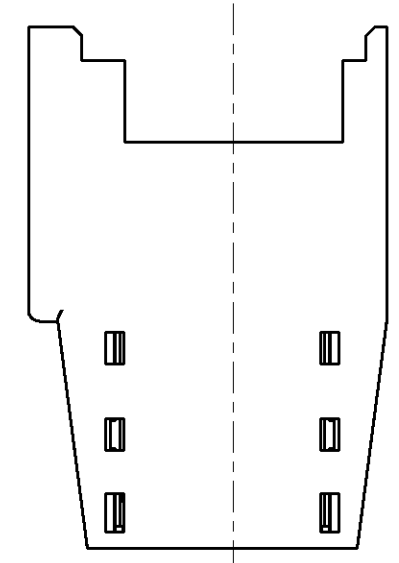
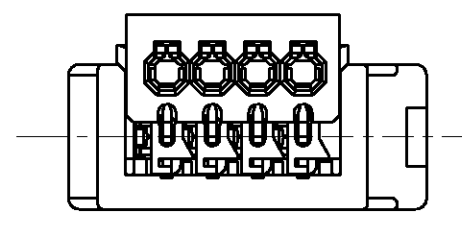
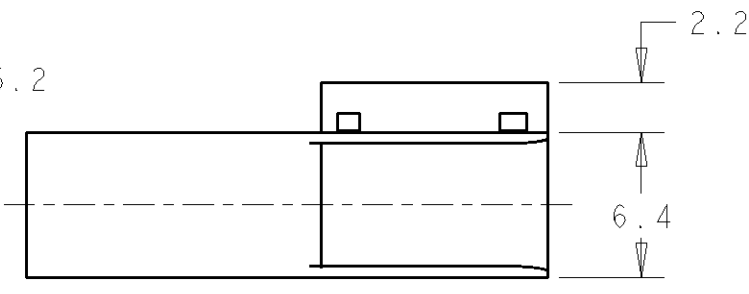
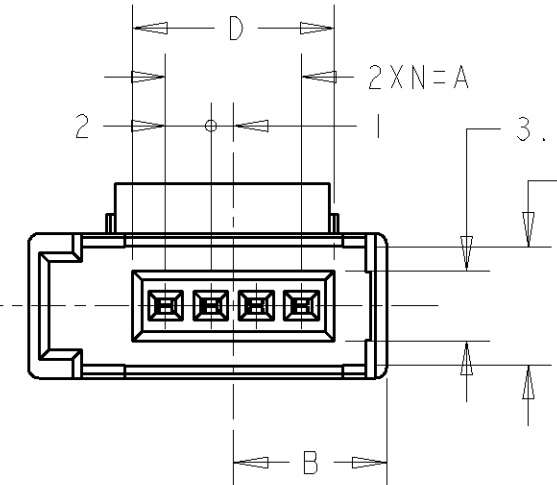
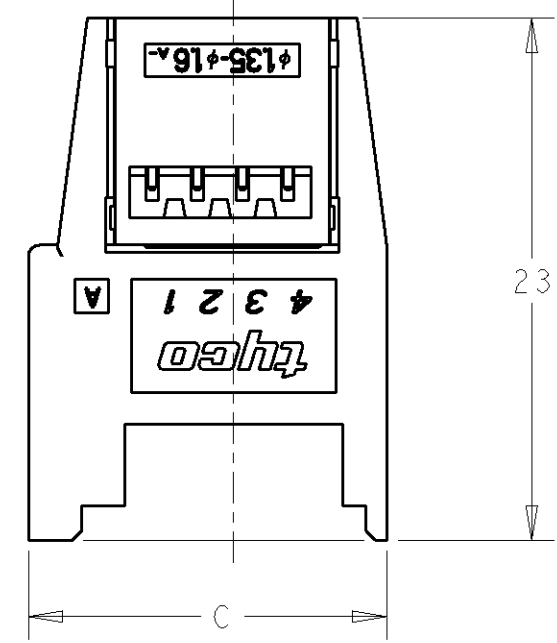
THIS DRAWING IS UNPUBLISHED. RELEASED FOR PUBLICATION 20
 © COPYRIGHT 20 BY TYCO ELECTRONICS CORPORATION. ALL RIGHTS RESERVED.

LOC	DIST	REVISIONS					
		P	LTR	DESCRIPTION	DATE	DWN	APVD
J	-	-	-	SEE SHEET 1	-	-	-

4-1746741-4:AS SHOWN
 4-1746741-4:本図

1. 材料: RELAY HOUSING: ガラス入り熱可塑性ポリエステル樹脂, 94V-0, 黒
 HOLD HOUSING: ポリカーボネイト 94V-0 緑色: 4-
 コンタクト: 銅合金
 2. メッキ: コンタクト: 全面ニッケルメッキ下地 1.27μm MIN
 接点部: 金メッキ 0.2μm MIN

1. MATERIAL: RELAY HOUSING: GLASS FILED THERMOPLASTIC, 94V-0, BLACK.
 HOLD HOUSING: PC, 94V-0, YELLOW: 0-, RED: 1-, BLUE: 2-.
 CONTACT: COPPER ALLOY.
 2. FINISH: UNDERPLATE: Ni 1.27μm min.
 CONTACT AREA: Au 0.2μm min.



GREEN	16.9	23.8	10.75	14	7	8	4-1746741-8
	12.9	19.8	8.75	10	5	6	4-1746741-6
	8.9	15.8	6.75	6	3	4	4-1746741-4
	6.9	13.8	5.75	4	2	3	4-1746741-3
HOLD HSG COLOR	D	C	B	A	N	POS	P/N

THIS DRAWING IS A CONTROLLED DOCUMENT FOR TYCO ELECTRONICS CORPORATION IT IS SUBJECT TO CHANGE AND THE CONTROLLING ENGINEERING ORGANIZATION SHOULD BE CONTACTED FOR THE LATEST REVISION.

DIMENSIONS: mm	TOLERANCES UNLESS OTHERWISE SPECIFIED: 0 PLC ± 1 PLC ± 2 PLC ± 3 PLC ± 4 PLC ± ANGLES ±	DWN J. AKASAKA 02FEB2004 CHK - APVD - PRODUCT SPEC - APPLICATION SPEC - WEIGHT -	Tyco Electronics AMP K.K. Kawasaki, Japan NAME: SOCKET ASSY E-CON RITS CONN. SIZE: A3 CAGE CODE: 00779 DRAWING NO: 1746741 RESTRICTED TO: - SCALE: 3:1 SHEET 2 OF 2 REV 0
MATERIAL: SEE NOTE	FINISH: SEE NOTE	CUSTOMER DRAWING	