

## GKN Series

### Safety Interlock Switch

#### FEATURES

- Positive opening safety contacts
- Multiple contact configurations
- Mechanically -coded actuators
- Rotatable head allows actuator engagement from front, back and two top positions
- Double insulation per IEC 60947-5-1
- Choice of three standard actuators
- Small size:  
90 x 52 x 33 mm (3.54 x 2.04 x 1.30 in)
- Side or bottom conduit openings
- Global approvals (BG, UL, CSA, and CE)

#### BENEFITS

- Designed to minimize intentional tampering or defeat
- Rotatable head, multiple contact configurations and multiple actuating keys enables standard offering to meet a broad range of application requirements
- Small size provides a valuable solution where space is at a premium
- Three contact version simplifies safety monitoring
- Designed for Global acceptance

#### TYPICAL APPLICATIONS

- Machine Tool
- Woodworking Machinery
- Printing/Paper Finishing Equipment
- Plastic Molding Equipment
- Packaging Machinery
- Bailing Equipment



The GKN Series safety interlock switch provides superior reliability and value in a universally accepted package size. The multiple conduit openings, contact configurations, flexible key and the rotating head provide the required flexibility to meet application specific requirements.

The GKN conforms to IEC 60947-5-1 and carries UL, CSA, CE and BG approvals.

#### **WARNING**

##### MISUSE OF DOCUMENTATION

- The information presented in this product sheet (or catalogue) is for reference only. DO NOT USE this document as system installation information.
- Complete installation, operation and maintenance information is provided in the instructions supplied with each product.

**Failure to comply with these instructions could result in death or serious injury.**

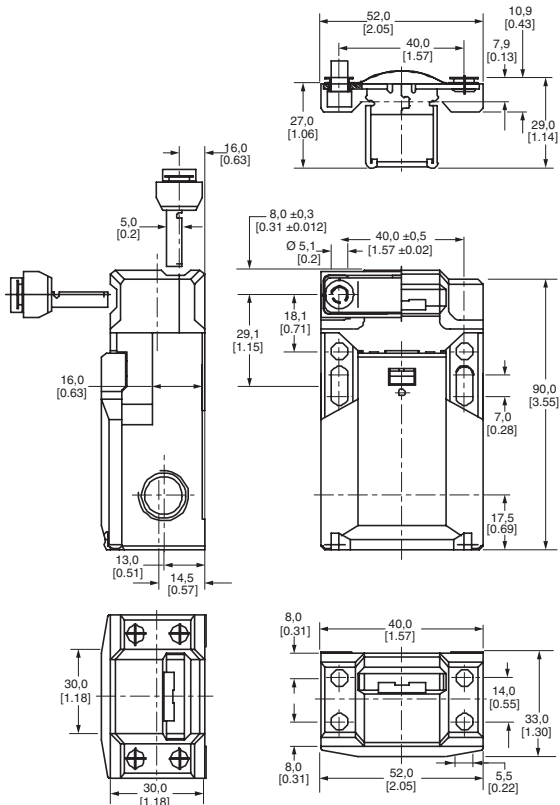
## GKN Series

### Safety Interlock Switch

#### Technical Data

<b>Mechanical life</b>	>1 Million operations
<b>Degree of protection</b>	IP 65 / NEMA 4
<b>Temperature range</b>	-30 °C to +80 °C / -22 °F to +176 °F
<b>Housing material</b>	Glass fiber-reinforced polyamide thermoplastic housing UL94-V0 rating
<b>Extraction force</b>	10 Newtons (2.2 lbf)
<b>Contacts</b>	Forced disconnect to IEC 947-5-1 chapter 3
<b>Contact rating</b>	10 A @ 24 Vac, 10 A @ 110 Vac, 6 A @ 230 Vac 6 A @ 24 Vdc 2.5 kV max. transient tolerance, NEMA A300 P300
<b>Contact material</b>	Silver-nickel alloy
<b>In rush current</b>	Complies with IEC 947-5-1 ac15/dc 13
<b>Connection type</b>	Screw
<b>Maximum Actuator speed</b>	1 m/second
<b>Minimum actuator radius</b>	In-line 150 mm; Flexible 50mm
<b>Weight</b>	0.13 kg / 0/29 lb

Dimensions in mm / in



Conduit Thread

**C** M20x1.5

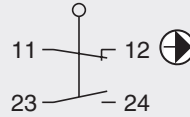
Switch Ordering:

**GKN**

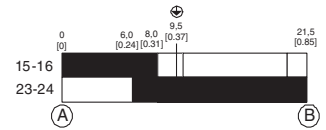
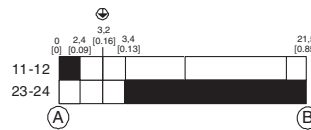
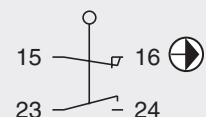
**X**

#### Contacts

1 NORMALLY CLOSED/  
1 NORMALLY OPEN  
BREAK BEFORE MAKE



1 NORMALLY CLOSED/  
1 NORMALLY OPEN  
MAKE BEFORE BREAK



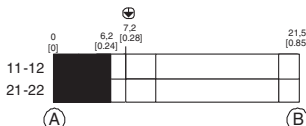
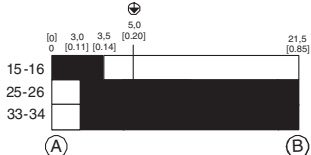
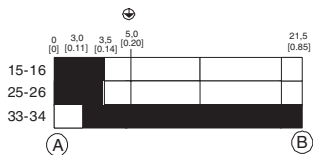
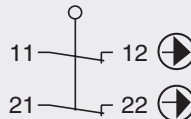
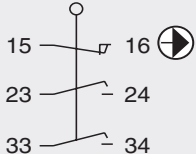
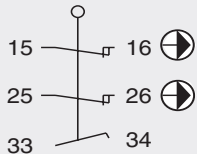
**3**

**4**

2 NORMALLY CLOSED/  
1 NORMALLY OPEN  
MAKE BEFORE BREAK

1 NORMALLY CLOSED/  
2 NORMALLY OPEN  
MAKE BEFORE BREAK

2 NORMALLY CLOSED



Side conduit openings only

12

33

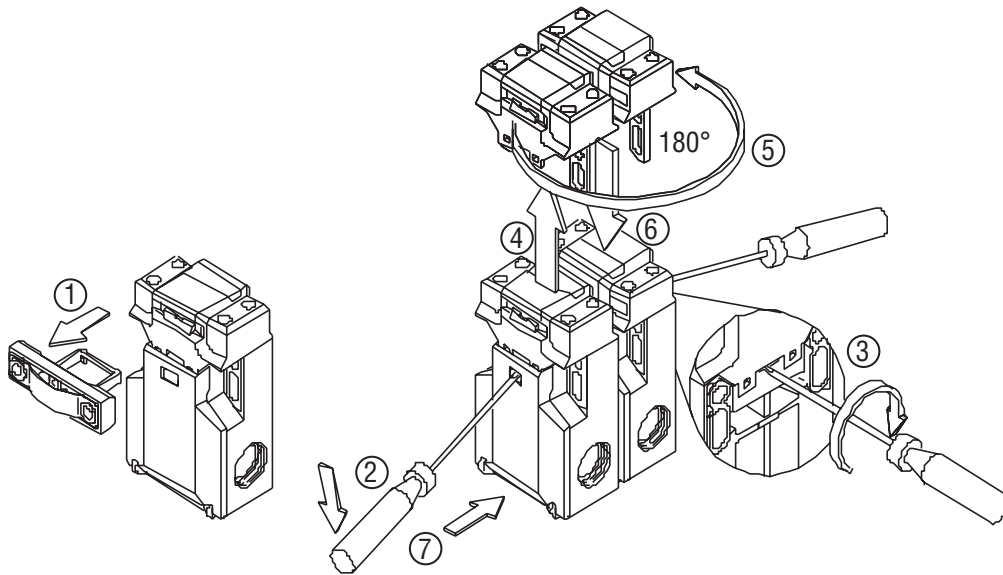
6

X

## Head Orientation\*

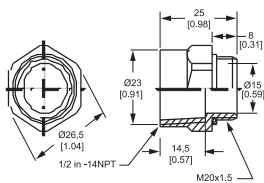
Front

**L**



- ① Remove actuator key
- ② Open switch cover plate using a wide blade screwdriver
- ③ Using a wide blade screwdriver from the back of the switch, loosen head
- ④ Remove head
- ⑤ Rotate head
- ⑥ Snap on head
- ⑦ Close cover to secure head

\*Note: Head orientation facing the back of the switch is available upon request, min. order quantities apply.



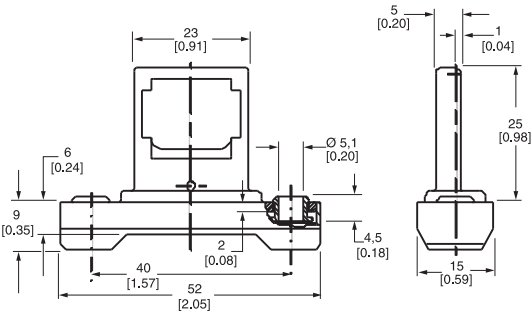
GKZ8B

NOTES

- 1 - ALL DIMENSIONS REFERENCE ONLY
- 2 - MATERIAL: THERMOPLASTIC

**X**

Keys

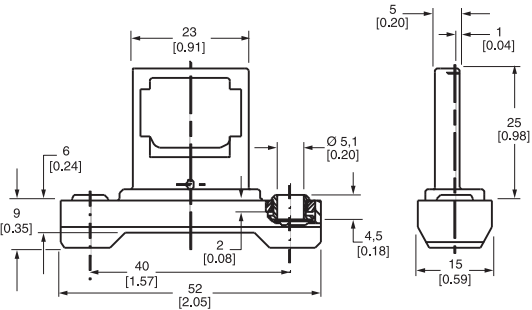
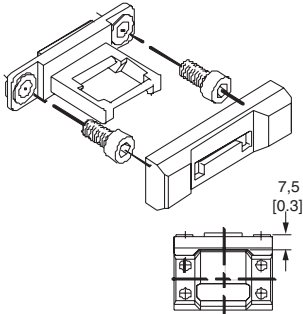


GKZB1

NOTES  
 1 - ALL DIMENSIONS REFERENCE ONLY  
 2 - MATERIAL: STAINLESS STEEL/PLASTIC  
 3 - MINIMUM SWING RADIUS: 150 mm

Standard SS

1

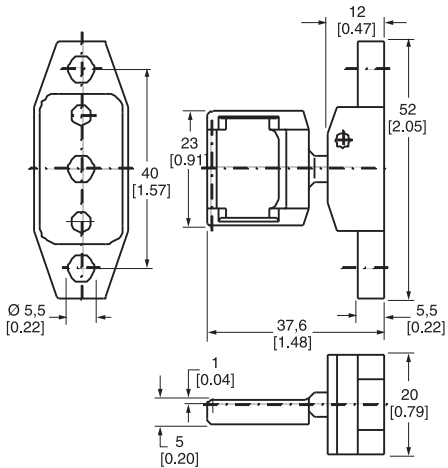
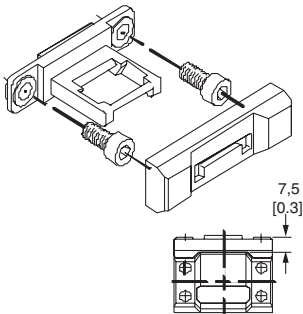


GKZB2

NOTES  
 2 - MATERIAL: THERMOPLASTIC  
 1 - ALL DIMENSIONS REFERENCE ONLY

Standard Thermo-  
plastic

2

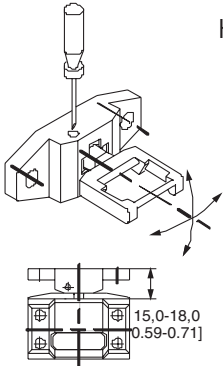


GKZB6

NOTES  
 1 - ALL DIMENSIONS REFERENCE ONLY  
 2 - MATERIAL: STAINLESS STEEL/ BRASS  
 3 - MINIMUM SWING RADIUS: 150 mm

Horizontally &  
Vertically Adj.

6



Key Ordering:

+ **GKZB** X

## Warranty and remedy

Honeywell warrants goods of its manufacture as being free of defective materials and faulty workmanship. Contact your local sales office for warranty information. If warranted goods are returned to Honeywell during the period of coverage, Honeywell will repair or replace without charge those items it finds defective. The foregoing is Buyer's sole remedy and is in lieu of all other warranties, expressed or implied, including those of merchantability and fitness for a particular purpose.

While we provide application assistance, personally, through our literature and the Honeywell web site, it is up to the customer to determine the suitability of the product in the application.

Specifications may change at any time without notice. The information we supply is believed to be accurate and reliable as of this printing. However, we assume no responsibility for its use.

### Sales and Service

Honeywell serves its customers through a worldwide network of sales offices and distributors. For application assistance, current specifications, pricing or name of the nearest Authorised Distributor, contact a nearby sales office or:

INTERNET: [www.honeywell.com/sensing](http://www.honeywell.com/sensing)

E-mail: [info.sc@honeywell.com](mailto:info.sc@honeywell.com)

### ASIA PACIFIC

**Control Products  
Asia Pacific Headquarters**  
Phone: +(65) 6355-2828  
Fax: +(65) 6445-3033

**Australia**  
Honeywell Limited  
Phone: +(61) 2-9370-4500  
Fax: +(61) 2-9370-4525  
Toll Free 1300-36-39-36  
Toll Free Fax: 1300-36-04-70

**China - PRC - Beijing**  
Honeywell China Inc.  
Phone: +(86-10) 8458-3280  
Fax: +(86-10) 8458-3102

**China - PRC - Shanghai**  
Honeywell China Inc.  
Phone: +(86-21) 6237-0237  
Fax: +(86-21) 6237-1237

**China - Hong Kong S.A.R.**  
Honeywell Ltd.  
Phone: +(852) 2953-6412  
Fax: +(852) 2953-6767

**Indonesia**  
Honeywell Indonesia Pte Ltd.  
Phone: +(62) 21-535-8833  
Fax: +(62) 21-5367-1008

**India**  
TATA Honeywell Ltd.  
Phone: +(91) 20 687 0445/0446  
Fax: +(91) 20 681 2243/687 5992

**Japan**  
Honeywell Inc.  
Phone: +(81) 3 5440 1425  
Fax: +(81) 3 5440 1368

**South Korea**  
Honeywell Korea Co Ltd  
Phone: +(822) 799-6167  
Fax: +(822) 792-9013

**Malaysia**  
Honeywell Engineering Sdn Bhd  
Phone: +(60-3) 7958-4988  
Fax: +(60-3) 7958-8922

**New Zealand**  
Honeywell Limited  
Phone: +(64-9) 623-5050  
Fax: +(64-9) 623-5060  
Toll Free (0800) 202-088

**Philippines**  
Honeywell Systems (Philippines) Inc.  
Phone: +(63-2) 636-1661/1662  
Fax: +(63-2) 638-4013

**Singapore**  
Honeywell South East Asia  
Phone: +(65) 6355-2828  
Fax: +(65) 6445-3033

**Thailand**  
Honeywell Systems (Thailand) Ltd.  
Phone: +(662) 693-3099  
Fax: +(662) 693-3085

**Taiwan R.O.C.**  
Honeywell Taiwan Ltd.  
Phone: +(886-2) 2245-1000  
Fax: +(886-2) 2245-3242

### EUROPE

**Austria**  
Honeywell Austria GmbH  
Phone: +(43) 1 727 80 366/246  
Fax: +(43) 1 727 80 337

**Belgium**  
Honeywell SA/NV  
Phone: +(32) 2 728 2522  
Fax: +(32) 2 728 2502

**Bulgaria**  
Honeywell EOOD  
Phone: +(359) 2 979 00 23  
Fax: +(359) 2 979 00 24

**Czech Republic**  
Honeywell spol. s.r.o.  
Phone: +(420) 242 442 111  
Fax: +(420) 242 442 182

**Denmark**  
Honeywell A/S  
Phone: +(45) 39 55 55 55  
Fax: +(45) 39 55 55 58

**Finland**  
Honeywell OY  
Phone: +(358) 9 3480101  
Fax: +(358) 9 34801375

**France**  
Honeywell SA  
Phone: +(33) 1 60 19 80 40  
Fax: +(33) 1 60 19 81 73

**Germany**  
Honeywell AG  
Phone: +(49) 69 8064 444  
Fax: +(49) 69 8064 442

**Hungary**  
Honeywell Kft.  
Phone: +(36 1) 451 4300  
Fax: +(36 1) 451 4343

**Italy**  
Honeywell S.p.A.  
Phone: +(39) 02 92146 450/456  
Fax: +(39) 02 92146 490

**The Netherlands**  
Honeywell B.V.  
Phone: +(31) 20 565 69 11  
Fax: +(31) 20 565 66 00

**Norway**  
Honeywell A/S  
Phone: +(47) 66 76 20 00  
Fax: +(47) 66 76 20 90

**Poland**  
Honeywell Sp. z o.o.  
Phone: +(48)606 0964  
Fax: +(48)606 0901

**Portugal**  
Honeywell Portugal Lda  
Phone: +(351 21) 424 50 00  
Fax: +(351 21) 424 50 99

**Romania**  
Honeywell Bucharest  
Phone: +(40) 21 231 64 37/38  
Fax: +(40) 21 231 6439

**Commonwealth of Independent States (CIS)**  
Z.A.O. Honeywell  
Phone: +(7 095) 796 98 36  
Fax: +(7 095) 796 98 93

**Slovak Republic**  
Honeywell s.r.o.  
Phone: +(421 2) 58 247 403  
Fax: +(421 2) 58 247 415

**South Africa (Republic of)**  
Honeywell Southern Africa  
Honeywell S.A. Pty. Ltd  
Phone: +(27) 11 805 1201  
Fax: +(27) 11 805 1504

**Spain**  
Honeywell S.A.  
Phone: +(34) 91 313 6100  
Fax: +(34) 91 313 6129

**Sweden**  
Honeywell AB  
Phone: +(46) 8 775 55 00  
Fax: +(46) 8 775 56 00

**Switzerland**  
Honeywell AG  
Phone: +(41) 1 855 24 40  
Fax: +(41) 1 855 24 45

**Turkey**  
Honeywell Turkey A.S.  
Phone: +(90) 216 575 6620  
Fax: +(90) 216 575 6637

**Ukraine**  
Honeywell  
Phone: +(380) 44 201 44 74  
Fax: +(380) 44 201 44 75

**United Kingdom**  
Honeywell Control Systems Ltd  
Phone: +(44) 1698 481481  
Fax: +(44) 1698 481676

**Mediterranean & African Distributors**  
Honeywell SpA  
Phone: +(39) 2 921 46 232  
Fax: +(39) 2 921 46 233

**Middle East Headquarters**  
Honeywell Middle East Ltd.  
Phone: +(9712) 443 2119  
Fax: +(9712) 443 2536

### NORTH AMERICA

**USA/Canada**  
Honeywell  
Sensing and Control  
Phone: 1-800-537-6945  
1-815-235-6847  
Fax: 1-815-235-6545  
E-mail: [info.sc@honeywell.com](mailto:info.sc@honeywell.com)

### LATIN AMERICA

**Honeywell Latin America Headquarters**  
Phone: 1-305-805-8188  
Fax: 1-305-883-8257

**Argentina**  
Honeywell S.A.I.C.  
Phone: +(54-11) 4383-3637  
Fax: +(54-11) 4325-6470

**Brazil**  
Honeywell do Brasil & Cia  
Phone: +(55-11) 4166-1900  
Fax: +(55-11) 4166-1901

**Chile**  
Honeywell Chile, S.A.  
Phone: +(56-2) 425-8400  
Fax: +(56-2) 425-8410

**Mexico**  
Honeywell S.A. de C.V.  
Phone: +(52) 55 5081-0200  
Fax: +(52) 55 5081-0202

**Puerto Rico, Caribbean**  
Honeywell Inc.  
Phone: +(809) 792-7075  
Fax: +(809) 792-0053

**Venezuela**  
Honeywell CA  
Phone: +(58-212) 273-0511  
Fax: +(58-212) 273-0599

This publication does not constitute a contract between Honeywell and its customers. The contents may be changed at any time without notice. It is the customer's responsibility to ensure safe installation and operation of the products. Detailed mounting drawings of all products illustrated are available on request. © 2004 Honeywell International Inc. All rights reserved.

**Honeywell**

**Honeywell**  
21 Chemin du Vieux Chêne  
38240 Meylan Cedex  
France

**Honeywell**  
11 West Spring Street  
Freeport, Illinois 61032  
USA