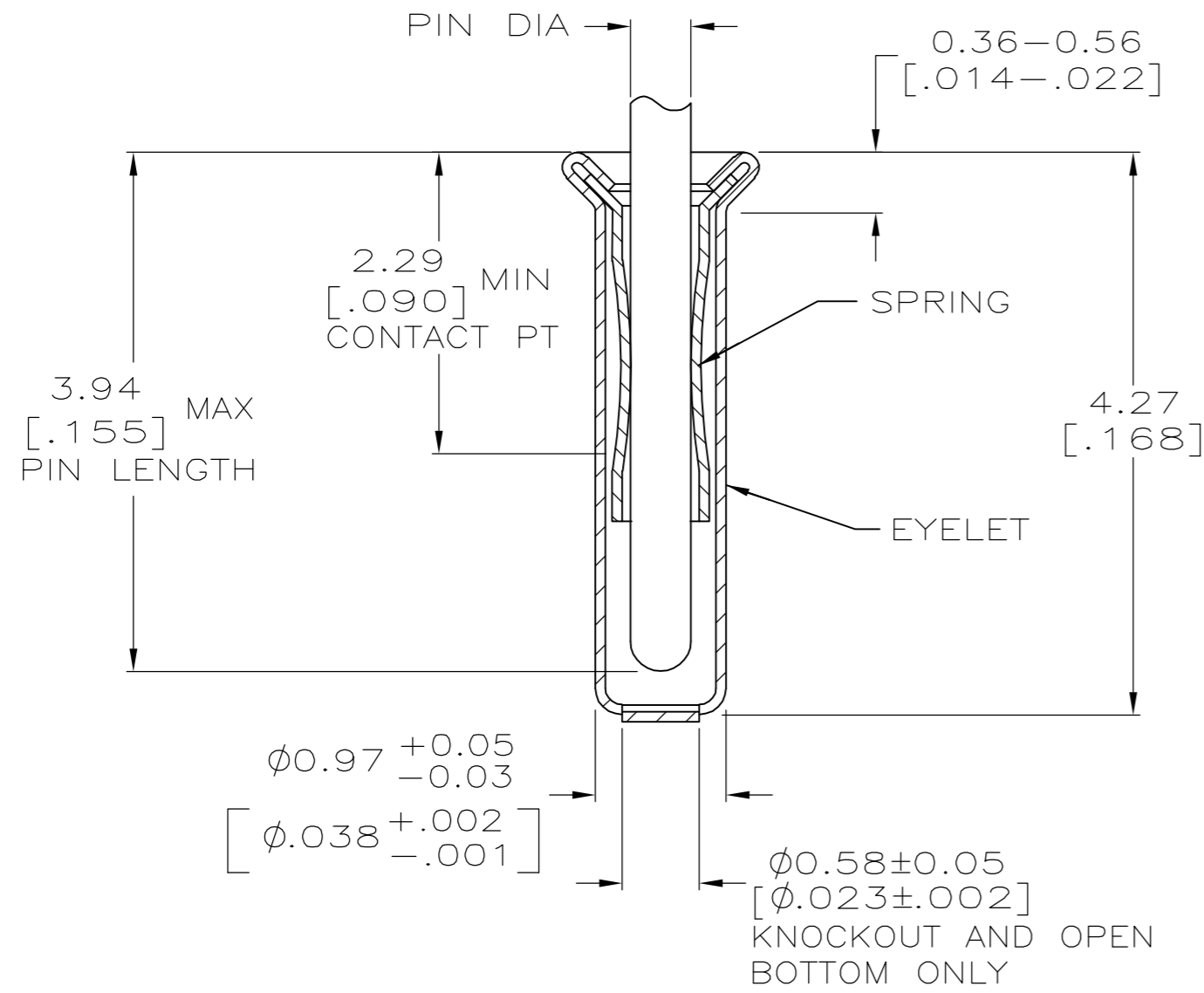
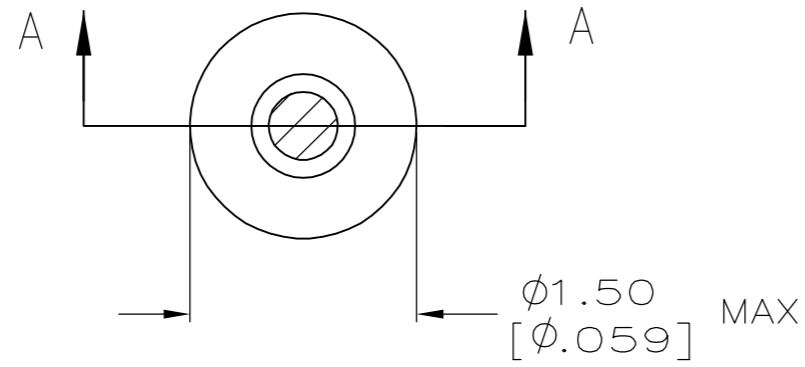


THIS DRAWING IS UNPUBLISHED. RELEASED FOR PUBLICATION
 © COPYRIGHT BY TYCO ELECTRONICS CORPORATION. ALL RIGHTS RESERVED.

LOC		DIST		REVISIONS			
GP	00	P	LTR	DESCRIPTION	DATE	DWN	APVD
		AC1		REV PER ECO-06-018765	13APR07	DH	DB



SECTION A-A

- 1. TIN PER MIL-T-10727 OR TIN LEAD .000254 [.000100] MIN THK.
- 2. GOLD PER MIL-G-45204, TYPE II, 0.00076 [.000030] MIN THK OVER NICKEL PER QQ-N-290 0.00028 [.000011] MIN THK ON CONTACT AREA.
- 3. GOLD FLASH PER MIL-G-45204, TYPE II, 0.13 μ m [.000005] MIN THK. OVER NICKEL PLATE PER QQ-N-290 0.51 μ m-1.52 μ m [.000020-.000060] EXT THK.
- 4. RECOMMENDED HOLE SIZE, PLATED OR UNPLATED:
 MACHINE INSERTION: 1.04 \pm 0.05 [.041 \pm .002]
 HAND INSERTION: 1.02 ± 0.10 / -0.00 [.040 ± 0.004 / -0.000]
- 5. APPLICATION TOOL PART NUMBER:
 MACHINE NO. 682127-2
 INSERTION HEAD NO. 682039-1
- 6. TO INSURE PROPER SPRING TENSION DO NOT EXCEED A 0.10 [.004] DIFFERENCE IN PIN DIA WHEN CHANGING TO A SMALLER PIN.
- 7. BOTTOM PLUG KNOCKOUT TOOL PART NUMBER 69729 WITH TIP PART NUMBER 69728.
- 8. TIN PER ASTM B 545, .000254 [.000100] MIN THK.

SUPSD BY 50935-1	CLOSED	0.33-0.51 [.013-.020]	TIN 8	TIN 8	6-50935-2
	OPEN		TIN 1	GOLD 2	50935-9
	KNOCKOUT		GOLD 3	TIN 1	50935-8
OBSOLETE	CLOSED	0.33-0.51 [.013-.020]	TIN 1	TIN 1	50935-6
	OPEN		GOLD 2	GOLD 2	50935-5
	KNOCKOUT		TIN 1	TIN 1	50935-4
OBSOLETE	CLOSED	0.33-0.51 [.013-.020]	TIN 1	TIN 1	50935-2
	OPEN		GOLD 2	GOLD 2	50935-1
	KNOCKOUT		TIN 1	TIN 1	50935
OBSOLETE	CLOSED	0.33-0.51 [.013-.020]	GOLD 3	GOLD 2	50935
	OPEN		TIN 1	TIN 1	50935
	BOTTOM TYPE	RECOMMENDED PIN DIA 6	EYELET	SPRING	PART NO
			FINISH		

THIS DRAWING IS A CONTROLLED DOCUMENT.		DWN	20SEP2005	
		CHK	R. TALLEY	
		APVD		
DIMENSIONS: INCHES		PRODUCT SPEC	Tyco Electronics Corporation Harrisburg, Pa 17105-3608	
TOLERANCES UNLESS OTHERWISE SPECIFIED:		APPLICATION SPEC	MINIATURE SPRING SOCKET ASSEMBLY SERIES 1	
0 PLC \pm -		WEIGHT	-	
1 PLC \pm -		SCALE	20:1	
2 PLC \pm -		SHEET	1 OF 1	
3 PLC ± 0.20 [.008]		REV	AC1	
4 PLC \pm -				
ANGLES \pm -				
FINISH				
MATERIAL	BE CU			
CUSTOMER DRAWING				