

FEATURES

- RoHS compliant
- Logic translation
- Bi-Directional
- Invert / non-invert
- TTL-CMOS conversion
- 3V-5V conversion
- Toroidal construction
- Low profile
- 500Vrms isolation
- Backward compatible with Sn/Pb soldering systems

DESCRIPTION

The 1600 series are quad isolation transformer packs for use in digital circuits. They are particularly suited to isolating microprocessor bus connections and performing logic level translation. Being completely passive, power savings are offered over opto-coupled or emitter follower solutions.

SELECTION GUIDE

| Order Code | Type | Function | Turns Ratio | Max. Pulse Width | Typ. Primary Inductance | Typ. Interwinding Capacitance |
|--------------|---------------|---------------------------|-------------|------------------|-------------------------|-------------------------------|
| | | | | µs | mH | pF |
| 1600C | Quad isolator | 5V to 5V logic isolation | 1:1 | 5 | 3 | 60 |
| 1630C | Quad isolator | 5V to 15V logic isolation | 1:3 | 2.6 | 1 | 34 |

ABSOLUTE MAXIMUM RATINGS

| | |
|---|----------------|
| Operating free air temperature range | 0°C to 70°C |
| Storage temperature range | -40°C to 125°C |
| Isolation voltage (flash tested for 1 second) | 500Vrms |
| Insulation resistance at 500Vdc | >10GΩ |

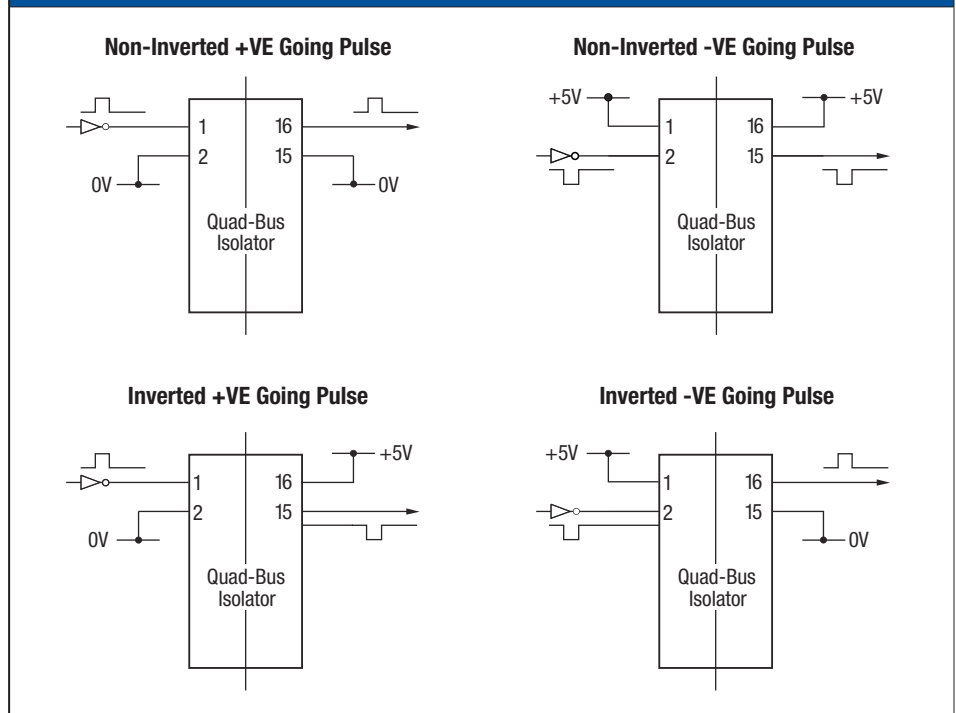
SOLDERING INFORMATION²

| | |
|---|----------------------|
| Peak wave solder temperature, 1.5mm from case | 300°C for 10 seconds |
| Pin finish | Matte tin |

1 The maximum pulse width limit to be applied to the repetition curve.
2 For further information, please visit www.cd4power.com/rohs

All specifications typical at T_A=25°C.

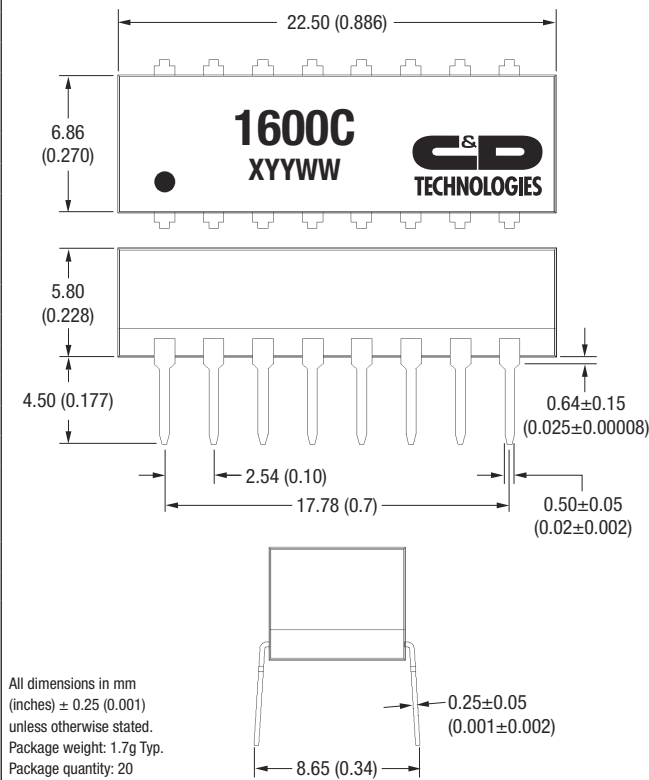
OPERATIONAL CONFIGURATIONS



For full details go to www.cd4power.com/rohs

PACKAGE SPECIFICATIONS

MECHANICAL DIMENSIONS



PIN CONNECTIONS

