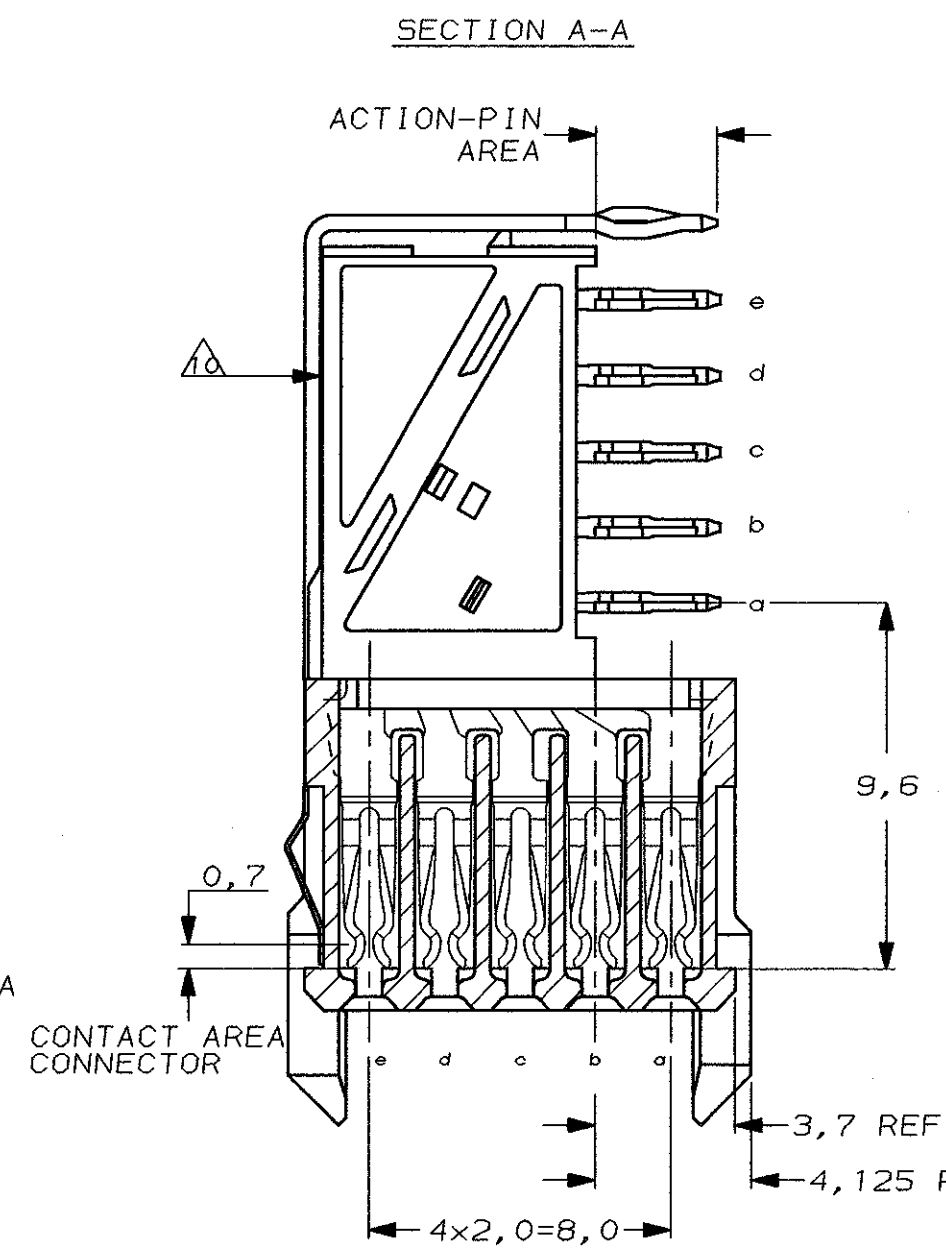
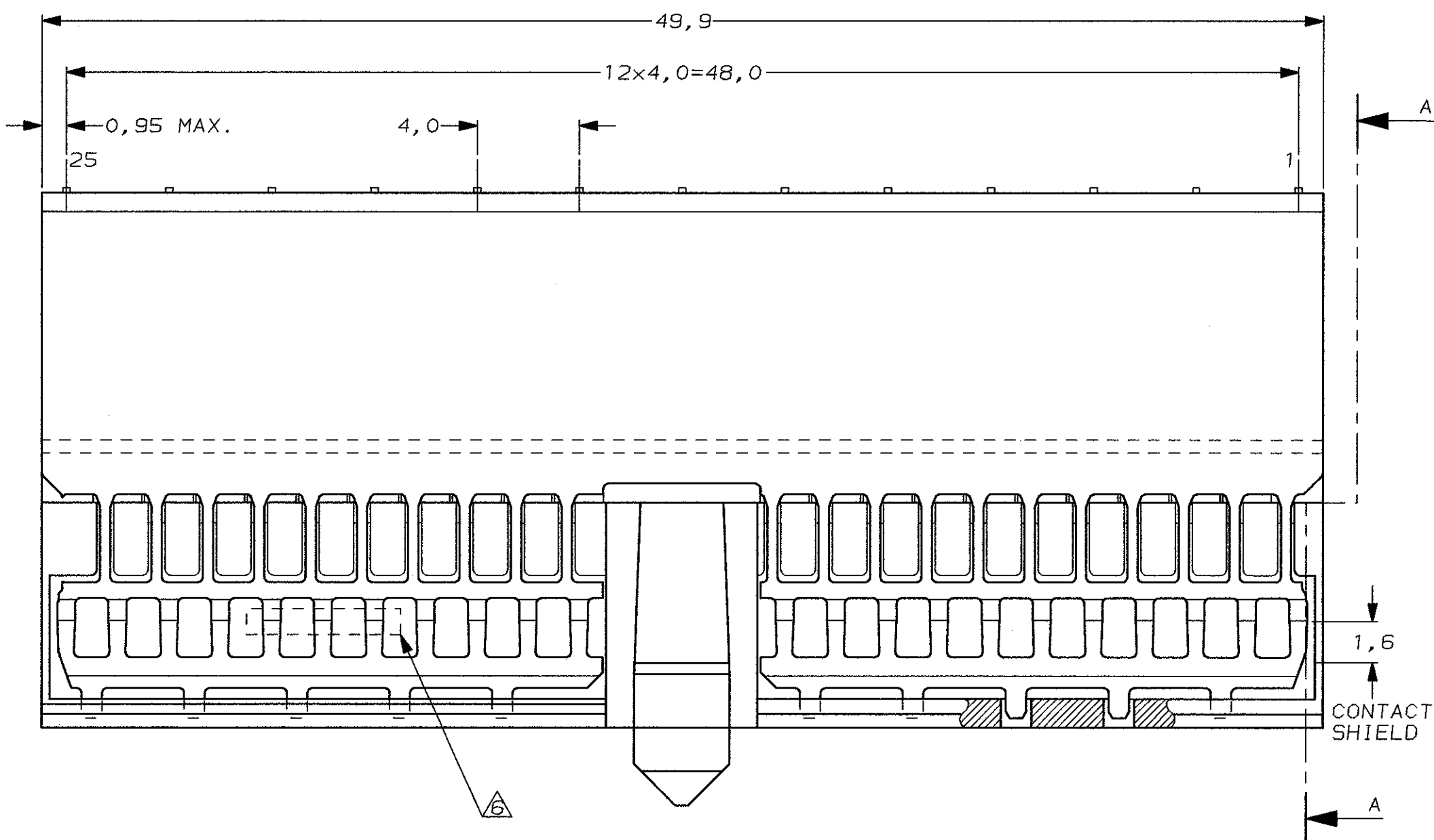


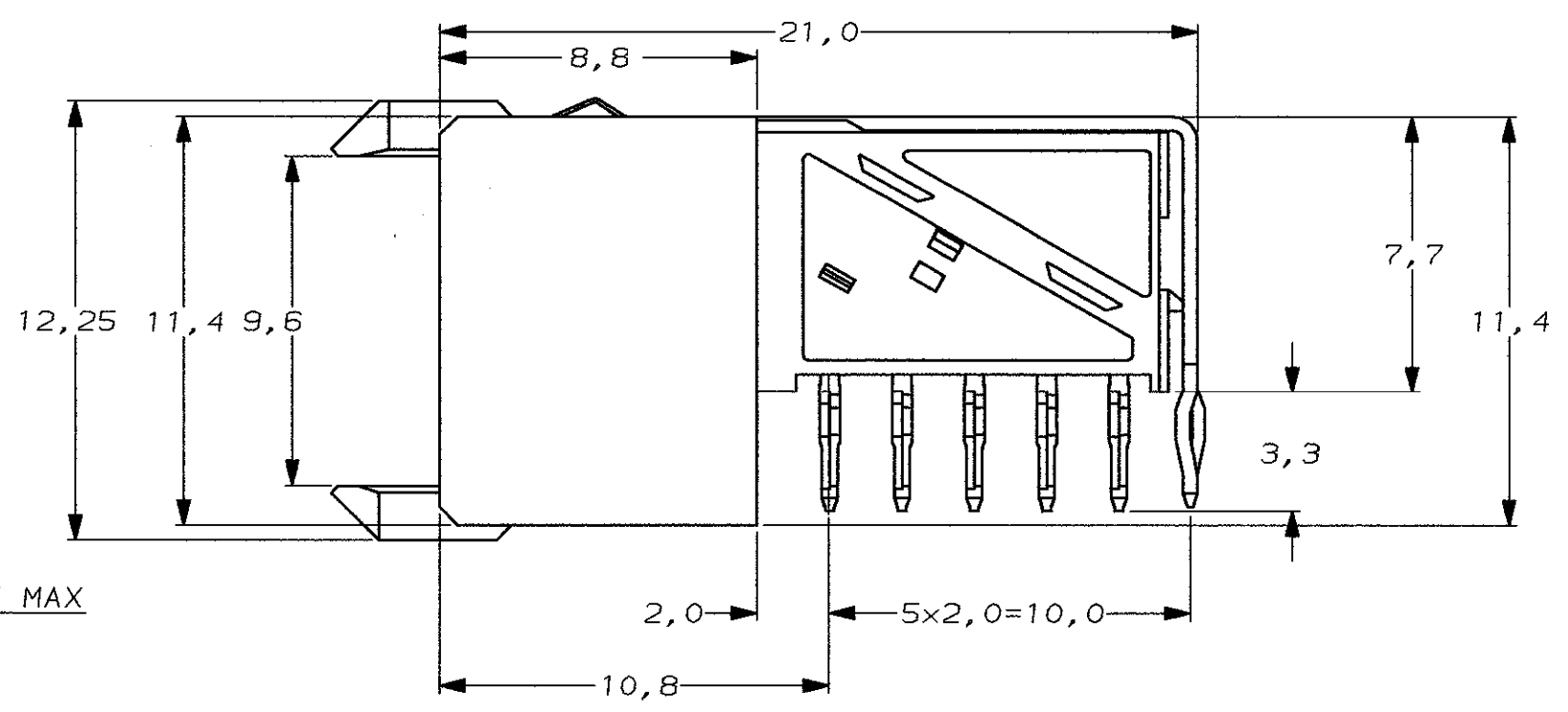
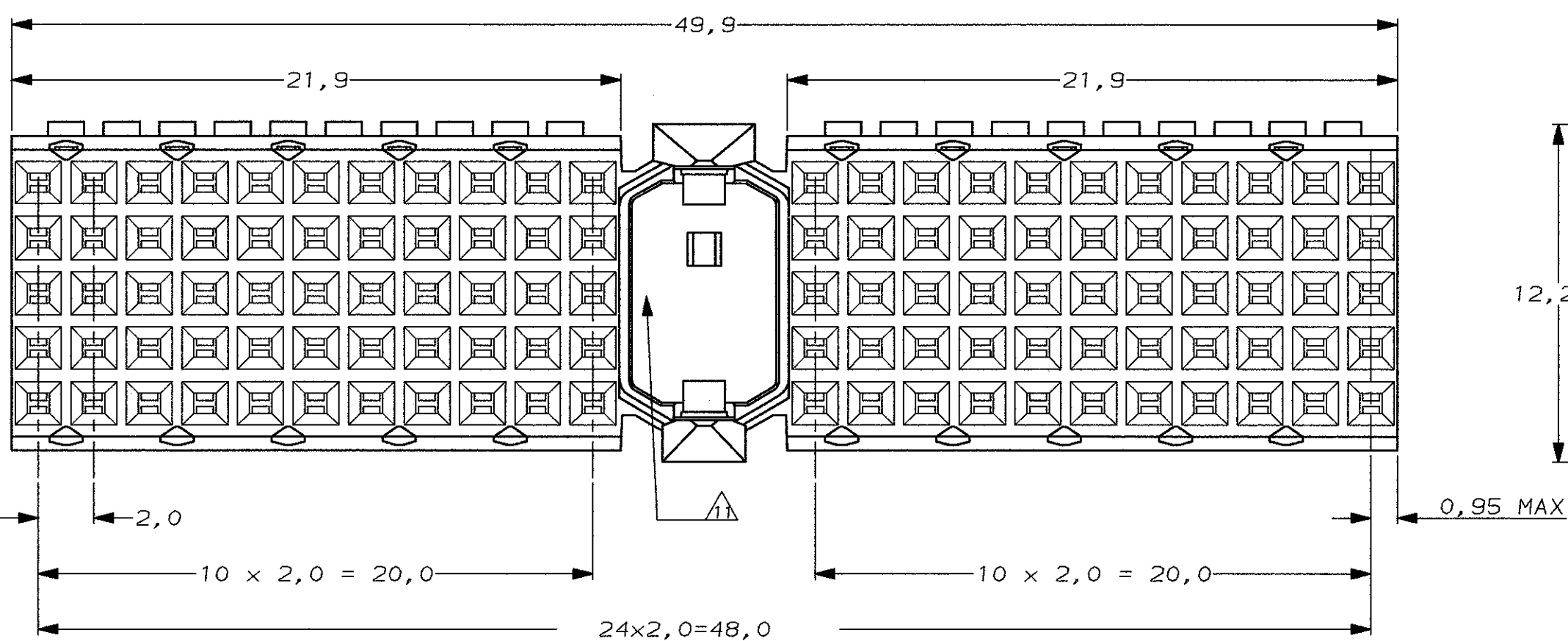
DO NOT SCALE
DIMENSIONS IN mm

METRIC

THIRD ANGLE
PROJECTION



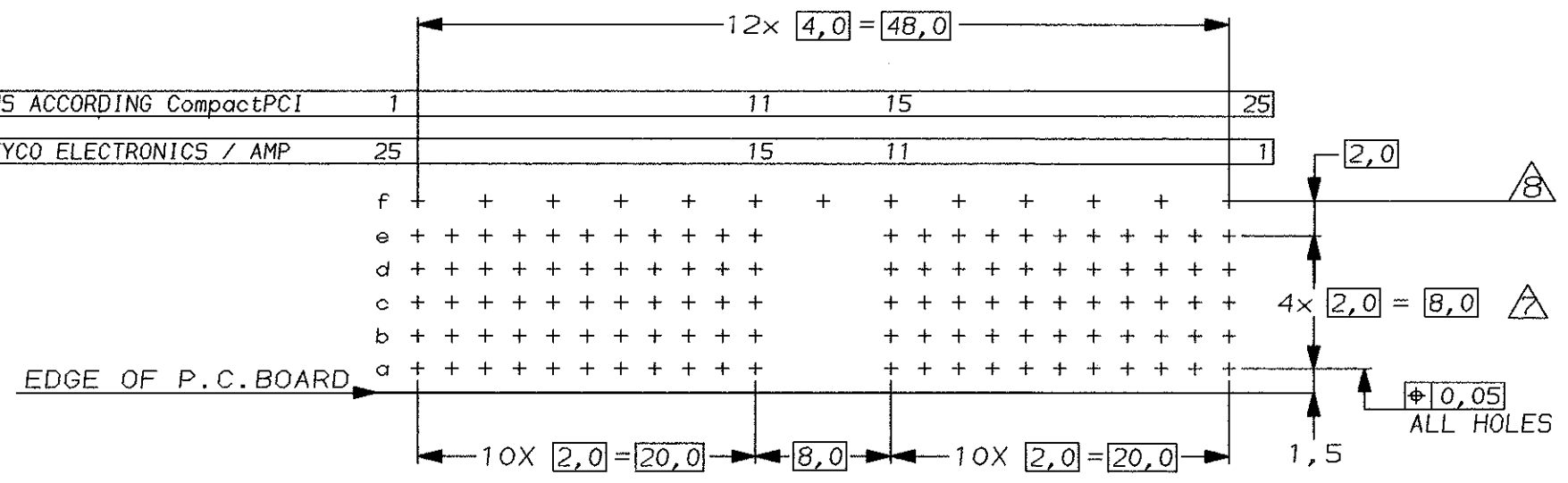
- NOTES:
- ① PLATING CONNECTOR:
CONTACT AREA: 0,8µm Au MIN. OVER 1,3µm Ni MIN.
ACTION PIN : 0,5µm SnPb MIN. OVER 1,3µm Ni MIN.
 - ② PLATING CONNECTOR:
CONTACT AREA: 2,0µm Au MIN. OVER 1,3µm Ni MIN.
ACTION PIN : 0,5µm SnPb MIN. OVER 1,3µm Ni MIN.
 - ③ PLATING CONNECTOR:
CONTACT AREA: 1,3µm Au MIN. OVER 1,3µm Ni MIN.
ACTION PIN : 0,5µm SnPb MIN. OVER 1,3µm Ni MIN.
 - ④ PLATING SHIELD:
CONTACT AREA: 0,8µm Au MIN.
ACTION PIN : 0,5µm SnPb MIN.
REMAINDER : Ni
 - ⑤ MATERIAL CONTACTS; PHOSPHORBRONZE
MATERIAL HOUSING; GLASSFILLED POLYESTER (GRAY)
 - ⑥ ASSEMBLY PRINTED WITH P/N AND DATECODE OF COMPONENT AT TOP OF BOTTOM SIDE OF RECEPTACLE HOUSING
 - ⑦ HOLE PATTERN FOR FEMALE CONNECTOR TYPE A
110 PLATED-THROUGH HOLES AT 2x2mm SQUARE GRID
 - ⑧ ROW "f" 13 PLATED THROUGH HOLES FOR UPERSHIELD
 - ⑨ CONNECTOR & SHIELD LUBRICATED WITH BELLCORE APPROVED LUBRICANT, TECHNICAL REFERENCE TR-NWT-001217 ISSUE 1, SEPT. 1992.
CONNECTOR TESTED AND QUALIFIED ACCORDING BELLCORE QUALITY LEVEL III, CENTRAL OFFICE APPLICATIONS
 - ⑩ SHIELD MOUNTED ON CONNECTOR WITH DOUBLE SIDED ADHESIVE TAPE
 - ⑪ AREA RESERVED FOR KEYING PART (BASIC P.N. 100526)
 - ⑫ BASIC P.N. LOWERSHIELD: 338108



COMPONENT SIDE AS SHOWN
RECOMMENDED PCB-HOLE LAY-OUT
SCALE 2,5:1

SEQUENCE COLUMNS ACCORDING CompactPCI 1 11 15 25
SEQUENCE COLUMNS ACCORDING IEC 61076-4-101 AND TYCO ELECTRONICS / AMP 25 15 11 1

P.C.B. HOLE DIM. ACTION PIN
DRILLED HOLE: 0,7±0,025mm
FIN. HOLE : 0,55 TO 0,65mm
Cu-thks : 0,025 TO 0,050mm
SnPb-thks : 0,004 TO 0,010mm



①②③	④	352068-9
⑤⑥	⑦	352068-4
⑧⑨	⑩	352068-3
⑪⑫	⑬	352068-1

FINISH				MATERIAL		PARTNUMBER
D	EH-1243-00	RB	MB	09-NOV-00		
C	EH-0804-00	RB	MB	19-JUL-00		
A	EH-1725-99	WvdH	WvdH	23-11-99		
O	EH-0948-96	DT	WvdH	20-01-97		
LTR.	REVISION RECORD	DR.	CHK.	DATE		

CUSTOMER DRAWING FOR REFERENCE ONLY WILL NOT BE UPDATED
© COPYRIGHT 1996 BY AMP-HOLLAND B.V.
ALL INTERNATIONAL RIGHTS RESERVED. AMP PRODUCTS MAY BE COVERED BY U.S. AND FOREIGN AND/OR PATENTS PENDING.
THIS DRAWING IS UNPUBLISHED
RELEASED FOR PUBLICATION

AMP AMP-HOLLAND B.V.
's-Hertogenbosch, The Netherlands.

NAME: Z-PACK 2mm HM
TYPE A - 25 COLUMNS
PRE-SHIELDED RECEPTACLE

DR.:	D. TRUREN	CHK.:	W. V.D. HEIJDEN	APP.:	F.V. KONINGSBRUGGE	DWG. No.:	C-352068	REV. LTR.:	D	SHEET:	1 OF 1
DATE:	20-01-97	DATE:	20-01-97	DATE:	23-11-99						A2