

FEATURES AND SPECIFICATIONS

Features and Benefits

- Very low profile — about 3/4 that of industry standard
- Automatic placement possible
- Foot pattern identical to industry standard
- High reliability, square contact

Reference Information

Product Specification: PS-95001-E
 Packaging: Tray
 UL File No.: 89082
 CSA File No.: 89083
 Mates With: FCC 68 plugs
 Designed In: Millimeters

Electrical

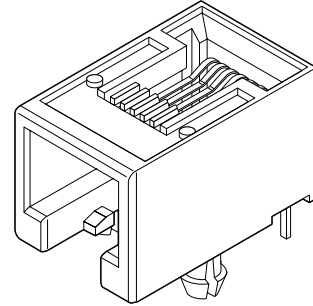
Voltage: 125V
 Current: 1.5A
 Contact Resistance: 20mΩ max.
 Dielectric Withstanding Voltage: 1000V
 Insulation Resistance: 500 MΩ min.

Physical

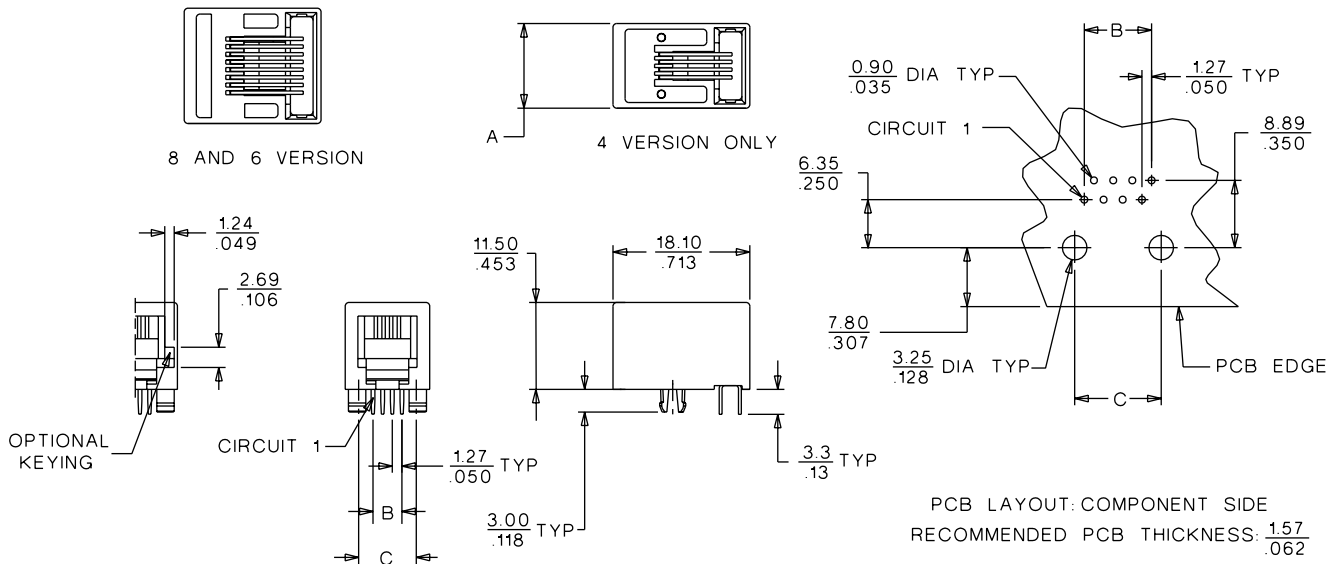
Housing: Standard—Black polyester, UL 94V-0
 High Temperature—Black polyamide, UL 94V-0
 Contact: Phosphor Bronze
 Plating: Post plate 1.27 to 1.52μm (50 to 60μ") Gold in contact area, 1.90μm (75μ") min. (90/10) Tin/Lead in tail area both over Nickel overall
 Operating Temperature: -40 to +80°C

molex® Modular Jack

95001
Right Angle
Low Profile



CATALOG DRAWING (FOR REFERENCE ONLY)



Modular Plugs and Jacks

0

ORDERING INFORMATION AND DIMENSIONS

Circuits	Loaded Contacts	Order No.		Key	Dimension		
		Standard	High Temperature		A	B	C
4	4	• 95001-2441	95001-8441	No	11.18 (.440)	3.81 (.150)	7.62 (.300)
6	4	• 95001-2641	95001-8641	No	13.21 (.520)	3.81 (.150)	10.16 (.400)
6	6	• 95001-2661	95001-8661	No	13.21 (.520)	6.35 (.250)	10.16 (.400)
8	8	• 95001-2881	95001-8881	No	15.24 (.600)	8.89 (.350)	11.43 (.450)
8	8	• 95001-2882		Yes	15.24 (.600)	8.89 (.350)	11.43 (.450)

• US Standard Product, available through Molex franchised distributors