

975631 to 783

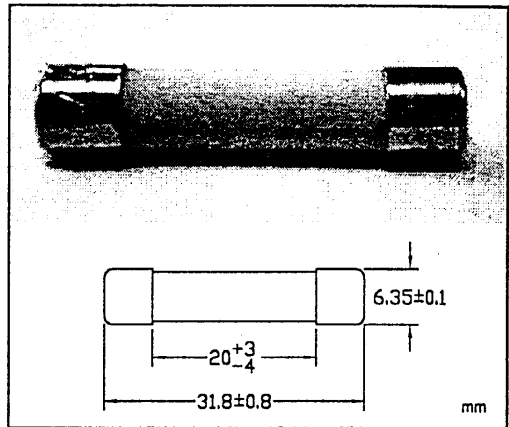
multicomp

Technical Data

MINIATURE FUSE LINKS 250 Vac

G-Sicherungseinsatz/Fusibles Miniatures

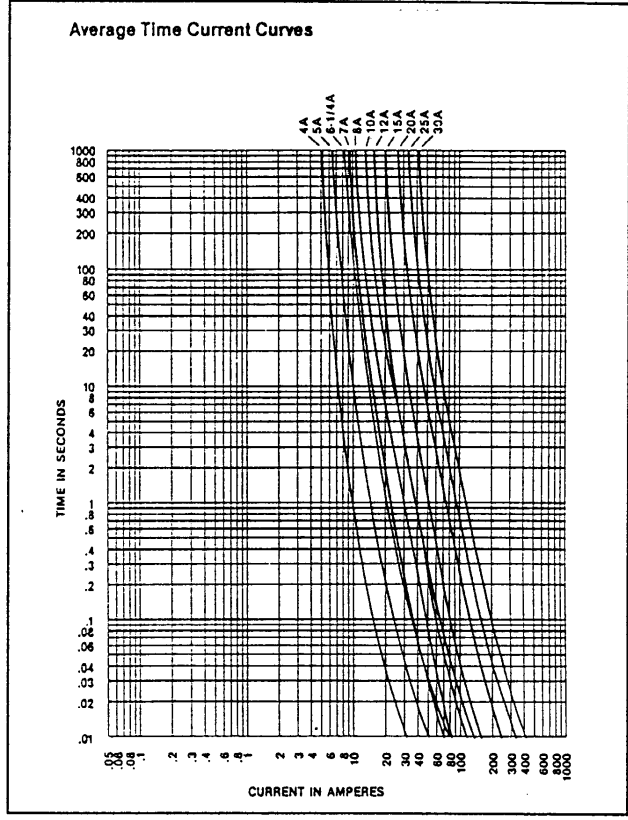
Series MCF08C (ceramic tube) Slo-Blo
 Serie MCF08C (Keramikrohr) Slo-Blo
 Serie MCF08C (Tube ceramique) Slo-Blo



Standards/Normen/Normes:
 UL/ CSA 248 part 14

Electrical Characteristics:

% of Ampere Rating	Ampere Rating	Opening Time
110%	1/100-30	4 hours, Min
135%	1/100-30	1 hour, Max
200%	1/100-3.2	5 sec, Min: 30 sec, Max
200%	4-30	5 sec, Min: 60 sec, Max



Part no. Bestellnr. References	Ampere Rating Nennstrom Intense Nom.	Voltage Rating Nennspannung Tension Nom.	Nominal Resistance Cold Kaltwiderstand Res. a froid	Nominal Melting I ² t I ² t Wert I ² t Valeur	Breaking Capacity Schaltvermogen Pouvoir de coupure
	In		[Ω]	[A ² S]	
MCF08C-62MA	62 mA	250	91.0	0.0276	10.000 A @ 125 V, AC 100 A @ 250 V, AC
MCF08C-100MA	100 mA	250	33.3	0.0870	
MCF08C-300MA	300 mA	250	3.20	0.690	
MCF08C-500MA	500 mA	250	1.29	2.50	
MCF08C-700MA	700 mA	250	0.716	6.42	
MCF08C-1A	1 A	250	0.386	16.3	
MCF08C-1.5A	1.5 A	250	0.196	40.1	
MCF08C-2A	2 A	250	0.120	80.0	
MCF08C-2.5A	2.5 A	250	0.0830	136.0	
MCF08C-4A	4 A	250	0.0755	9.71	
MCF08C-5A	5 A	250	0.0518	25.0	
MCF08C-6.25A	6.25 A	250	0.0343	60.4	
MCF08C-7A	7 A	250	0.0225	47.3	
MCF08C-10A	10 A	250	0.0131	137.0	
MCF08C-15A	15 A	250	0.0049	245.0	
MCF01G-20A	20 A	250	0.0033	575.0	

Multicomp Products available from

975-631 to 783

Technical Data

MINIATURE FUSE LINKS 250 Vac

G-Sicherungseinsatze/Fusibles Miniatures

Average Time Current Curves

