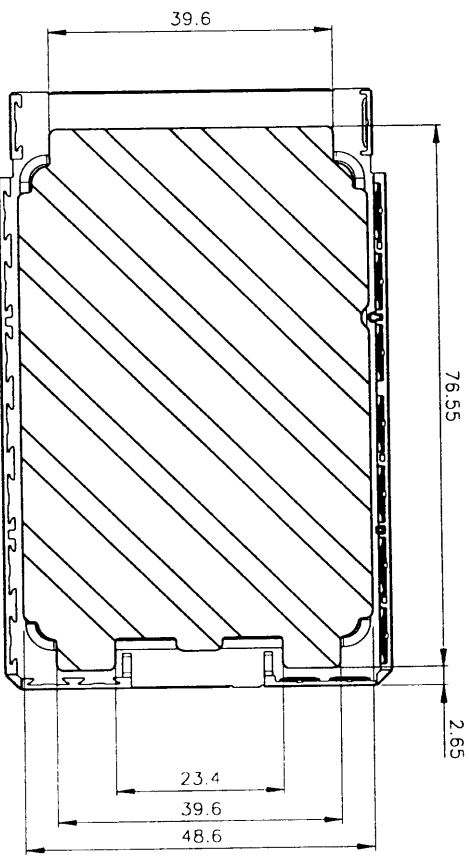
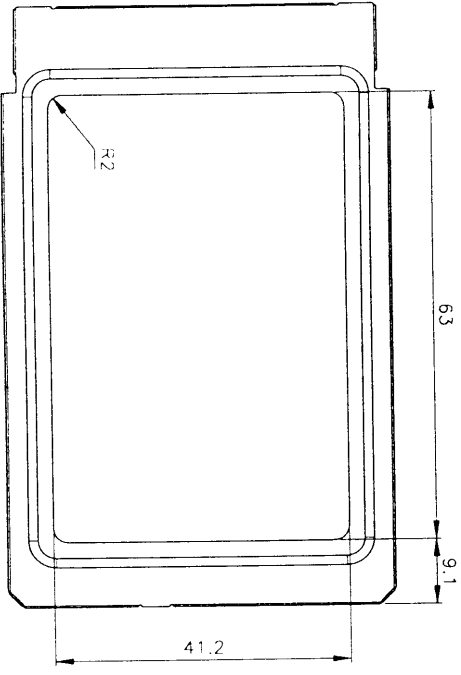
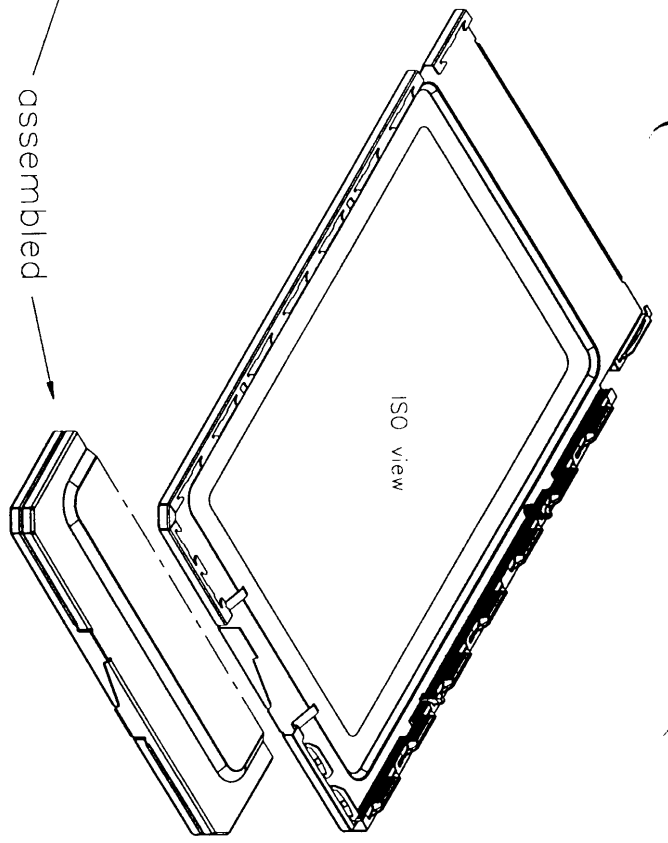
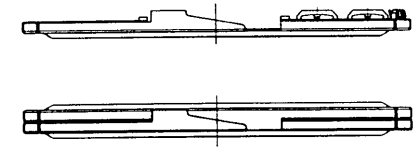
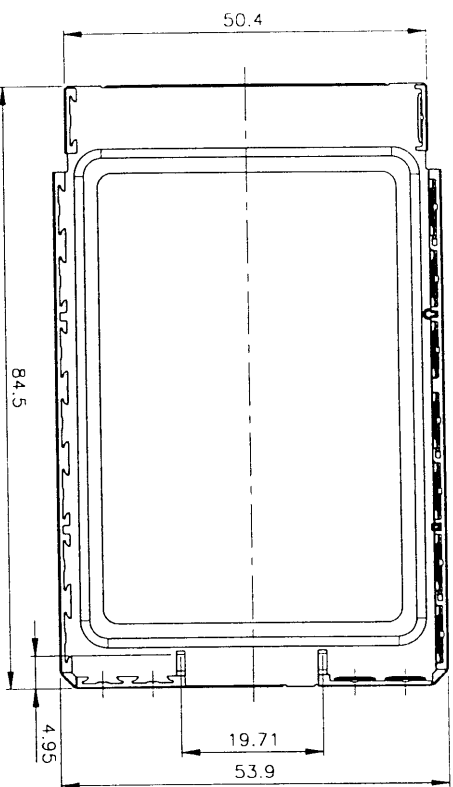


134 648

Prod	nber	Insulator	Label recess
83808-20000		no	no
83808-20010		yes	no
83808-20100		no	yes
83808-20110		yes	yes



Version: Label recess
(maximum label thickness 0.07 mm)

Version: Insulator
(thickness 0.05 mm)

PRELIMINARY

MATERIAL CODE		INDICATES JAMES DIMENSIONS SHOWN		CUSTOMER		BERG ELECTRONICS	
LINE	REF. NO.	QTY	DATE	PROJECTION	TYPE	SCALE	CODE
1	HYE 971101	1	1987	1st	ROCARD SHIELD	2:1	213
2	RVL 971117	1	1987	1st	TYPE II, CLOSED I/O	2:1	213
DESIGNER		DRAWN		CHECKED		APPROVED	
HYPERLIEN 970801		A. GARRIS 970801		R. BIRNBAUM			
CITY		SCALE		DATE		SHEET	
A. GARRIS		2:1				3 of 3	
CITY		SCALE		DATE		SHEET	
A. GARRIS		2:1				3 of 3	

BERG

BERG ELECTRONICS
10000 W. 10th Ave. Denver, CO 80201
Tel: 303-751-1000