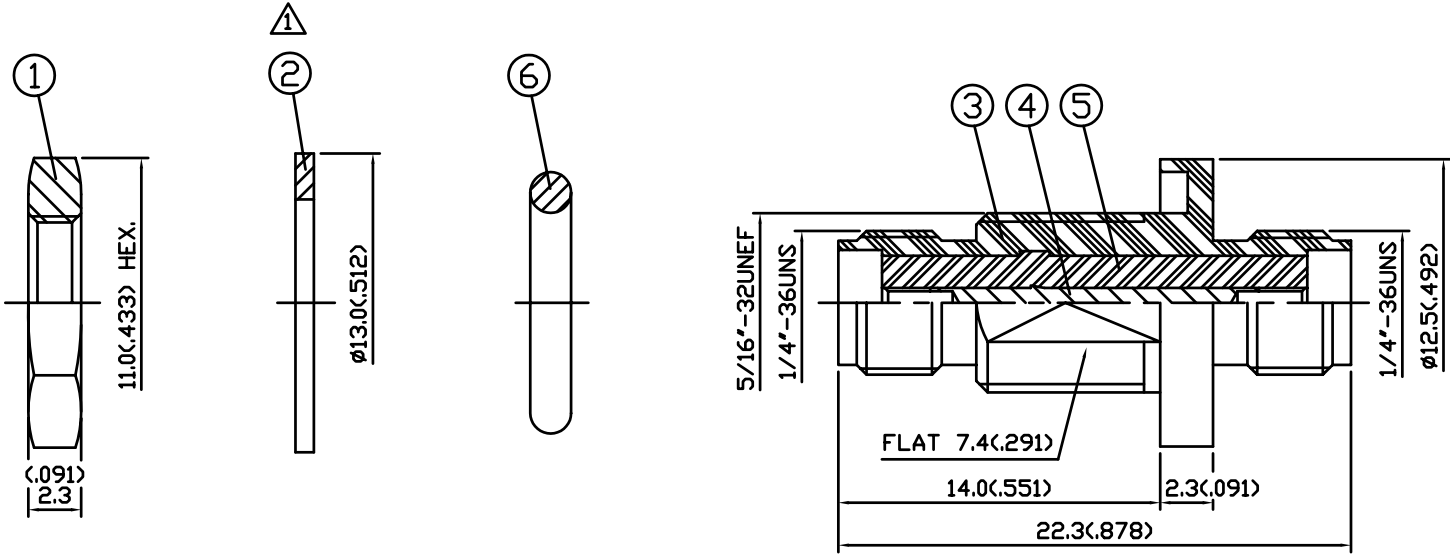


NO	DESCRIPTION	DATE
△	MODIFICATION FOR WASHER	04.12.99
△	BACKGROUND FORMAT UPDATED	06.25.02



NOTES: UNLESS OTHERWISE SPECIFIED

1. BODIES: BRASS PER JIS-C3604
2. CENTER CONTACT: BERYLLIUM COPPER PER JIS-C1730B
3. INSULATION: TEFLON PER ASTM D1457 AND ASTM D1710
4. CONNECTOR INTERFACE PER MIL-STD-348A
5. PART TO BE CLEAN AND FREE OF BURRS

6	O-RING	SILICONE	1	BLACK
5	INSULATION	TEFLON	1	NONE
4	CENTER CONTACT	Be Cu	1	GOLD 50μ" MIN.
3	BODY	BRASS	1	GOLD 3μ" MIN.
2	WASHER	BRASS	1	GOLD 3μ" MIN.
1	NUT	BRASS	1	GOLD 3μ" MIN.
NO	DESCRIPTION	MATERIAL	Q'TY	FINISH

製圖	DRAWN	TOLERANCE	品名	19-21-1 (50Ω)	日期	DATE	版次	REV.
	梁齡允							
檢圖	CHECK	.XX ±0.1	單位	DWG.NO.	19-0149	佳楠精密電子股份有限公司 CHIN NAN PRECISION ELECTRONICS CO.,LTD.		
	沈淑美	.XXX ±0.05	mm(in)					
認定	APPROVAL	蘇文申	比例					
		ANGLE ±5°	SCALE	4:1				