

MICRO SWITCH

A DIVISION OF MINNEAPOLIS-HONEYWELL REGULATOR COMPANY
FREEPORT, ILLINOIS

FED. MFR. CODE 91929

SWITCH-BASIC

CATALOG LISTING
BZ-2AQ18T1

BZ-2AQ18T1

M

DRAWING NUMBER

11

ISSUE

REPLACES

RELEASE NO. SR 4529

CMT 20 MAY 55

CHECK

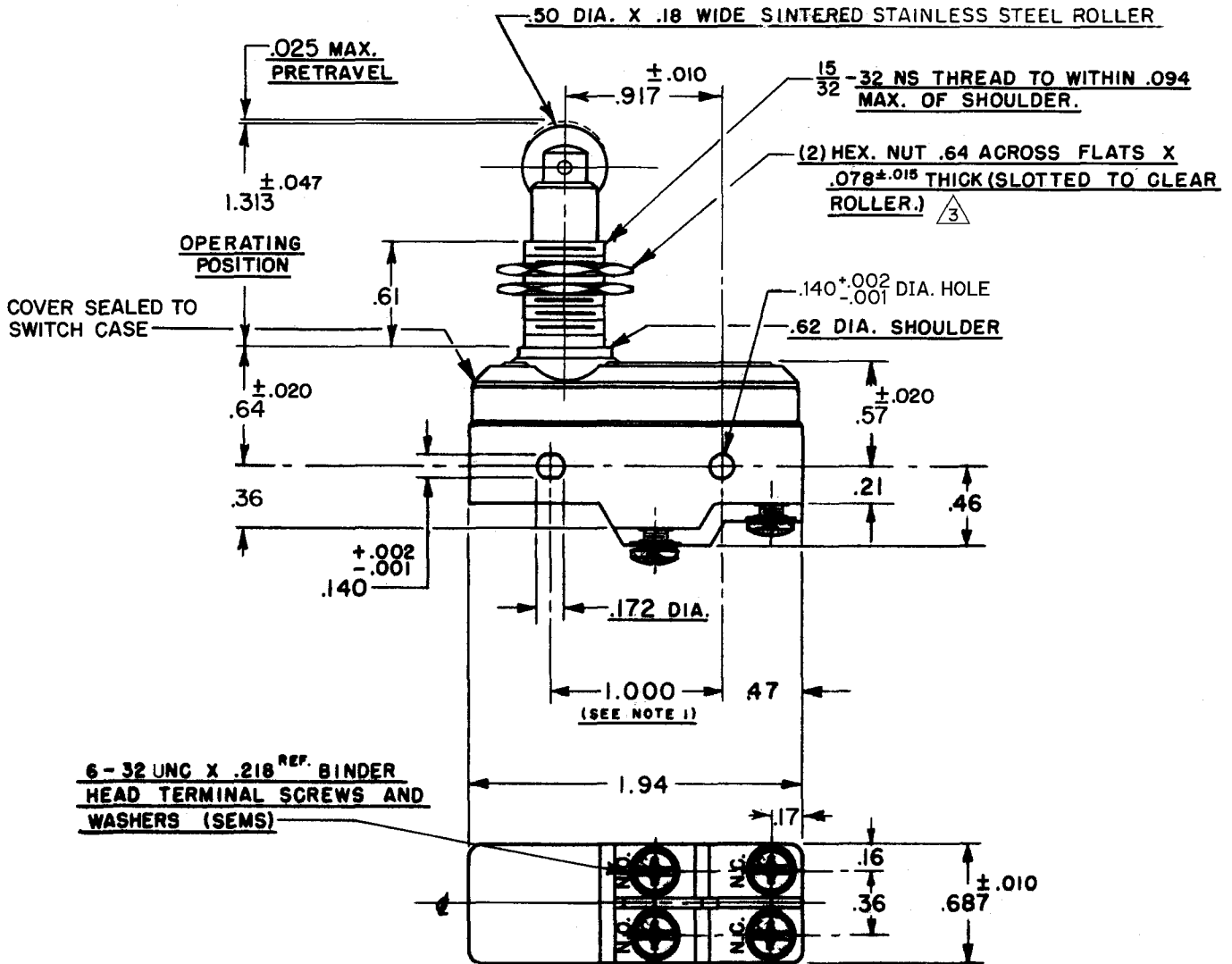
18 MAY 55

VHS

30 MAY 55

CHECK

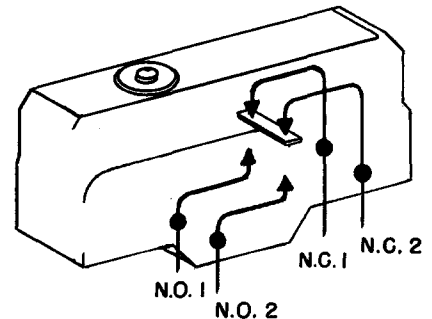
H.A.P. 18 MAY 55



NOTES

- ① MOUNTING HOLES WILL ACCEPT PINS OR SCREWS OF .139 MAX DIA ON 1.000±.002 CENTERS
- 2- SUITABLE ONLY FOR APPLICATIONS IMPARTING A RAPID STROKE TO THE SWITCH PLUNGER
- ③ HARDWARE FURNISHED UNASSEMBLED

THIS DRAWING COVERS A PROPRIETARY ITEM AND IS THE PROPERTY OF MICRO SWITCH, A DIVISION OF HONEYWELL. THIS DRAWING IS NOT TO BE COPIED OR USED WITHOUT THE APPROVAL OF MICRO SWITCH.



CIRCUIT DIAGRAM

CHARACTERISTICS

OPERATING FORCE - - - - - 14-24 OZ.
 RELEASE FORCE - - - - - 4 OZ. MIN.
 DIFFERENTIAL TRAVEL - - - - - .001-.004
 OVERTRAVEL - - - - - .141 MIN.

ELECTRICAL DATA

CONTACT ARRANGEMENT
 SEE CIRCUIT DIAGRAM

UNDERWRITERS' LAB. INC. LISTED RATING
 15 A-125, 250, OR 480 VAC
 1 A-125 VDC; 0.5 A-250 VDC
 1/4 HP-125 VAC; 1/2 HP-250 VAC

SCALE FULL

DO NOT SCALE PRINT

UNLESS OTHERWISE SPECIFIED
 DIMENSIONS ARE IN INCHES
TOLERANCES ARE:
 ONE PLACE (.0) ±.030
 TWO PLACE (.00) ±.015
 THREE PLACE (.000) ±.008
 ANGLES ±

WEIGHT

FORMTEK

74-98

DRAWN

H.A.P. 18 MAY 55

©

