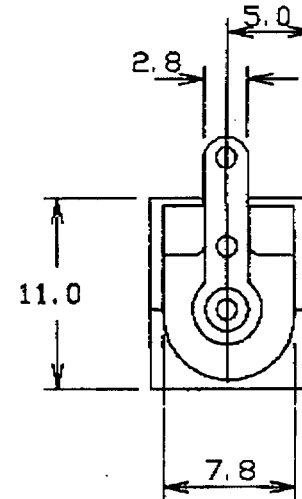
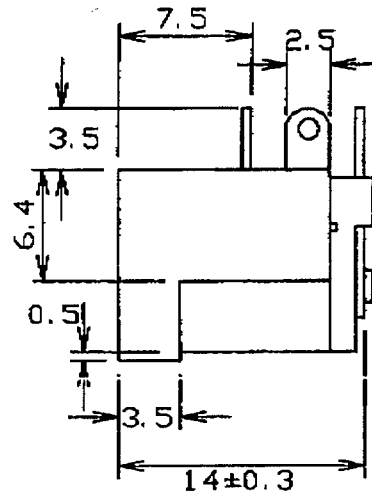
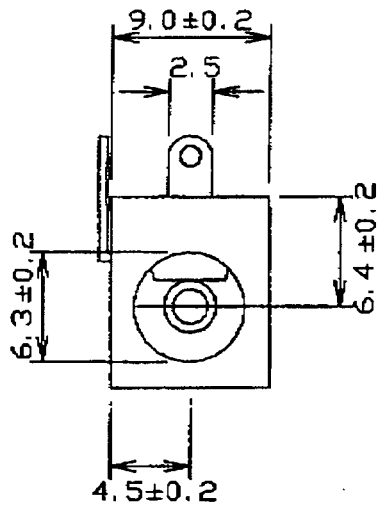


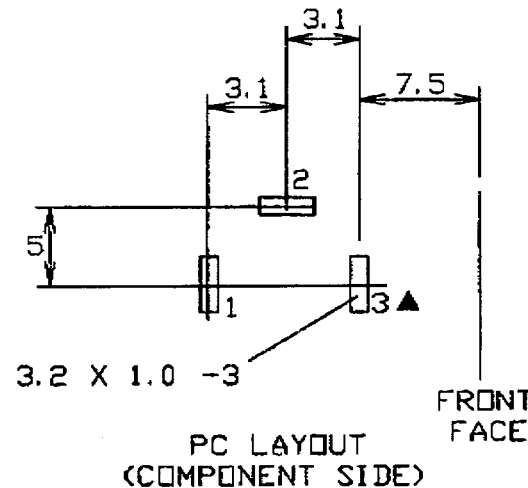
CLIFF

No.	AMEND	DATE
1.	REDRAWN	29/5/90
2.▲	ERROR CORRECT	1/11/90
3.	MATL PBT	14/2/91
4.	P/Nos ADDED	17/2/94



MODEL NO.	DC-10A (FC68148)	DC-10B (FC68149)
CENTRE PIN DIAMETER	2.0	2.5
SCHEMATIC		

RATED 12VDC - 5A



TOLERANCE
NO DEC. PLACE ± 0.2
1 DEC PLACE ± 0.15
2 DEC PLACE ± 0.1
DIA OF HOLE ±
ANGLES ±
UNLESS OTHERWISE STATED

WHERE USED F.R.
SCALE N.T.S.

DIMENSIONS IN MILLIMETRES UNLESS OTHERWISE STATED. WORK TO DIMENSIONS. DO NOT SCALE DRAWING. 1st.ANGLE PROJECTION. REMOVE BURRS.

Cliff Electronic Components Limited

76, Holmethorpe Avenue
Holmethorpe Industrial Estate
Redhill, Surrey, RH1 2PF, England
Tel: Redhill (0737) 771375 Telex 8813346 Fax 0737-768012

MATERIAL PBT / 20 PCGF / BRASS

FINISH AS MOULDED / Ni / Ag PLATED

DRAWN C.A.M.T.

APPD R.W.T.

TITLE **DC POWER SOCKET DC10**

DRG. No. **FC 68148**

A 4 D R W G H