

ADG428/ADG429

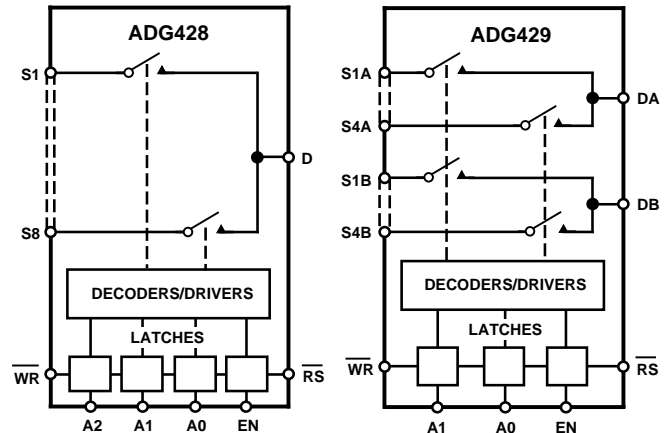
FEATURES

44 V Supply Maximum Ratings
V_{SS} to V_{DD} Analog Signal Range
Low On Resistance (60 Ω typ)
Low Power Consumption (1.6 mW max)
Low Charge Injection (<4 pC typ)
Fast Switching
Break Before make Switching Action
Plug-In Replacement for DG428/DG429

APPLICATIONS

Automatic Test Equipment
Data Acquisition Systems
Communication Systems
Avionics and Military Systems
Microprocessor Controlled Analog Systems
Medical Instrumentation

FUNCTIONAL BLOCK DIAGRAMS



GENERAL DESCRIPTION

The ADG428 and ADG429 are monolithic CMOS analog multiplexers comprising eight single channels and four differential channels respectively. On-chip address and control latches facilitate microprocessor interfacing. The ADG428 switches one of eight inputs to a common output as determined by the 3-bit binary address lines A0, A1 and A2. The ADG429 switches one of four differential inputs to a common differential output as determined by the 2-bit binary address lines A0 and A1. An EN input on both devices is used to enable or disable the device. When disabled, all channels are switched OFF. All the control inputs, address and enable inputs are TTL compatible over the full specified operating temperature range. This makes the part suitable for bus-controlled systems such as data acquisition systems, process controls, avionics and ATEs because the TTL compatible address latches simplify the digital interface design and reduce the board space required.

The ADG428/ADG429 are designed on an enhanced LC²MOS process that provides low power dissipation yet gives high switching speed and low on resistance. Each channel conducts equally well in both directions when ON and has an input signal range that extends to the supplies. In the OFF condition, signal levels up to the supplies are blocked. All channels exhibit break before make switching action preventing momentary shorting when switching channels. Inherent in the design is low charge injection for minimum transients when switching the digital inputs.

The ADG428/ADG429 are improved replacements for the DG428/DG429 Analog Multiplexers.

REV. A

Information furnished by Analog Devices is believed to be accurate and reliable. However, no responsibility is assumed by Analog Devices for its use, nor for any infringements of patents or other rights of third parties which may result from its use. No license is granted by implication or otherwise under any patent or patent rights of Analog Devices.

PRODUCT HIGHLIGHTS

1. **Extended Signal Range**
The ADG428/ADG429 are fabricated on an enhanced LC²MOS process giving an increased signal range that extends to the supply rails.
2. **Low Power Dissipation**
3. **Low R_{ON}**
4. **Single/Dual Supply Operation**
5. **Single Supply Operation**
For applications where the analog signal is unipolar, the ADG428/ADG429 can be operated from a single rail power supply. The parts are fully specified with a single +12 V power supply and will remain functional with single supplies as low as +5 V.

ADG428/ADG429—SPECIFICATIONS¹

DUAL SUPPLY ($V_{DD} = +15\text{ V}$, $V_{SS} = -15\text{ V}$, $GND = 0\text{ V}$, $\overline{WR} = 0\text{ V}$, $\overline{RS} = 2.4\text{ V}$ unless otherwise noted)

Parameter	B Version -40°C to 25°C +85°C		T Version -55°C to 25°C +125°C		Units	Test Conditions/Comments
ANALOG SWITCH						
Analog Signal Range	V_{SS} to V_{DD}		V_{SS} to V_{DD}		V	
R_{ON}	60	125	60	125	Ω typ	$V_D = \pm 10\text{ V}$, $I_S = -1\text{ mA}$
	100		100		Ω max	
ΔR_{ON}	10		10		% max	$-10\text{ V} < V_S < 10\text{ V}$, $I_S = -1\text{ mA}$
LEAKAGE CURRENTS						
Source OFF Leakage I_S (OFF)	± 0.03	± 0.3	± 0.03	± 0.3	nA typ	$V_D = \pm 10\text{ V}$, $V_S = \mp 10\text{ V}$; Test Circuit 2
	± 0.5	± 50	± 0.5	± 50	nA max	
Drain OFF Leakage I_D (OFF)						$V_D = \pm 10\text{ V}$, $V_S = \mp 10\text{ V}$; Test Circuit 3
ADG428	± 0.07	± 0.7	± 0.07	± 0.7	nA typ	
	± 1	± 100	± 1	± 100	nA max	
ADG429	± 0.05	± 0.5	± 0.05	± 0.5	nA typ	
	± 1	± 50	± 1	± 50	nA max	
Channel ON Leakage I_D , I_S (ON)						$V_S = V_D = \pm 10\text{ V}$; Test Circuit 4
ADG428	± 1	± 100	± 1	± 100	nA max	
ADG429	± 1	± 50	± 1	± 50	nA max	
DIGITAL INPUTS						
Input High Voltage, V_{INH}	2.4		2.4		V min	
Input Low Voltage, V_{INL}	0.8		0.8		V max	
Input Current						
I_{INL} or I_{INH}	± 0.1	± 1	± 0.1	± 1	μA max	$V_{IN} = 0$ or V_{DD}
C_{IN} , Digital Input Capacitance	8		8		pF typ	$f = 1\text{ MHz}$
DYNAMIC CHARACTERISTICS²						
$t_{TRANSITION}$	110		110		ns typ	$R_L = 1\text{ M}\Omega$, $C_L = 35\text{ pF}$; $V_{S1} = \pm 10\text{ V}$, $V_{S8} = \mp 10\text{ V}$; Test Circuit 5
	250	300	250	300	ns max	
t_{OPEN}	10		10		ns min	$R_L = 1\text{ k}\Omega$, $C_L = 35\text{ pF}$; $V_S = +5\text{ V}$; Test Circuit 6
t_{ON} (EN, \overline{WR})	115		115		ns typ	$R_L = 1\text{ k}\Omega$, $C_L = 35\text{ pF}$; $V_S = +5\text{ V}$; Test Circuit 7
	150	225	150	225	ns max	
t_{OFF} (EN, \overline{RS})	105		105		ns typ	$R_L = 1\text{ k}\Omega$, $C_L = 35\text{ pF}$; $V_S = +5\text{ V}$; Test Circuit 7
	150	300	150	300	ns max	
t_W , Write Pulse Width	100		100		ns min	
t_S , Address, Enable Setup Time	100		100		ns min	
t_H , Address, Enable Hold Time	10		10		ns min	
t_{RS} , Reset Pulse Width	100		100		ns min	$V_S = +5\text{ V}$
Charge Injection	4		4		pC typ	$V_S = 0\text{ V}$, $R_S = 0\text{ }\Omega$, $C_L = 10\text{ nF}$; Test Circuit 10
OFF Isolation	-75		-75		dB typ	$R_L = 1\text{ k}\Omega$, $C_L = 15\text{ pF}$, $f = 100\text{ kHz}$; $V_S = 7\text{ V rms}$, $V_{EN} = 0\text{ V}$; Test Circuit 11
	-60		-60		dB min	
Channel-to-Channel Crosstalk	85		85		dB typ	$R_L = 1\text{ k}\Omega$, $C_L = 15\text{ pF}$, $f = 100\text{ kHz}$; Test Circuit 12
C_S (OFF)	11		11		pF typ	$f = 1\text{ MHz}$
C_D (OFF)						$f = 1\text{ MHz}$
ADG428	40		40		pF typ	
ADG429	20		20		pF typ	
C_D , C_S (ON)						$f = 1\text{ MHz}$
ADG428	54		54		pF typ	
ADG429	34		34		pF typ	
POWER REQUIREMENTS						
I_{DD}	20		20		μA typ	$V_{IN} = 0\text{ V}$, $V_{EN} = 0\text{ V}$
	100		100		μA max	
I_{SS}	0.001		0.001		μA typ	
	5		5		μA max	

NOTES

¹Temperature ranges are as follows: B Versions: -40°C to +85°C; T Versions: -55°C to +125°C.

²Guaranteed by design, not subject to production test.

Specifications subject to change without notice.

SINGLE SUPPLY ($V_{DD} = +12\text{ V}$, $V_{SS} = 0\text{ V}$, $GND = 0\text{ V}$, $\overline{WR} = 0\text{ V}$, $\overline{RS} = 2.4\text{ V}$ unless otherwise noted)

Parameter	B Version		T Version		Units	Test Conditions/Comments
	25°C	-40°C to +85°C	25°C	-55°C to +125°C		
ANALOG SWITCH						
Analog Signal Range		0 to V_{DD}		0 to V_{DD}	V	
R_{ON}	90	200	90	200	Ω typ Ω max	$V_D = +10\text{ V}$, $I_S = -500\ \mu\text{A}$
ΔR_{ON}	10		10		% max	$0\text{ V} < V_S < 10\text{ V}$, $I_S = -1\text{ mA}$
LEAKAGE CURRENTS						
Source OFF Leakage I_S (OFF)	± 0.005		± 0.005		nA typ nA max	$V_D = 10\text{ V}/0\text{ V}$, $V_S = 0\text{ V}/10\text{ V}$; Test Circuit 2
Drain OFF Leakage I_D (OFF)	± 0.5	± 50	± 0.5	± 50	nA typ nA max	$V_D = 10\text{ V}/0\text{ V}$, $V_S = 0\text{ V}/10\text{ V}$; Test Circuit 3
ADG428	± 0.015		± 0.015		nA typ nA max	
ADG429	± 1	± 100	± 1	± 100	nA typ nA max	
Channel ON Leakage I_D , I_S (ON)	± 0.008		± 0.008		nA typ nA max	$V_S = V_D = 10\text{ V}/0\text{ V}$; Test Circuit 4
ADG428	± 1	± 50	± 1	± 50	nA typ nA max	
ADG429	± 0.02		± 0.02		nA typ nA max	
	± 1	± 100	± 1	± 100	nA max	
	± 0.01		± 0.01		nA max	
	± 1	± 50	± 1	± 50	nA max	
DIGITAL INPUTS						
Input High Voltage, V_{INH}		2.4		2.4	V min	
Input Low Voltage, V_{INL}		0.8		0.8	V max	
Input Current						
I_{INL} or I_{INH}		± 1		± 1	μA max	$V_{IN} = 0$ or V_{DD}
C_{IN} , Digital Input Capacitance	8		8		pF typ	$f = 1\text{ MHz}$
DYNAMIC CHARACTERISTICS²						
$t_{TRANSITION}$	250		250		ns typ	$R_L = 1\text{ M}\Omega$, $C_L = 35\text{ pF}$;
	350	450	350	450	ns max	$V_{S1} = 10\text{ V}/0\text{ V}$, $V_{SS} = 0\text{ V}/10\text{ V}$; Test Circuit 5
t_{OPEN}	25	10	25	10	ns min	$R_L = 1\text{ k}\Omega$, $C_L = 35\text{ pF}$;
t_{ON} (EN, \overline{WR})	200		200		ns typ	$V_S = +5\text{ V}$; Test Circuit 6
	300	400	300	400	ns max	$R_L = 1\text{ k}\Omega$, $C_L = 35\text{ pF}$;
t_{OFF} (EN, \overline{RS})	80		80		ns typ	$V_S = +5\text{ V}$; Test Circuit 7
	300	400	300	400	ns max	$R_L = 1\text{ k}\Omega$, $C_L = 35\text{ pF}$;
t_W , Write Pulse Width		100		100	ns min	$V_S = +5\text{ V}$
t_S , Address, Enable Setup Time		100		100	ns min	$V_S = 6\text{ V}$, $R_S = 0\ \Omega$, $C_L = 10\text{ nF}$;
t_H , Address, Enable Hold Time		10		10	ns min	Test Circuit 10
t_{RS} , Reset Pulse Width		100		100	ns min	$R_L = 1\text{ k}\Omega$, $C_L = 15\text{ pF}$, $f = 100\text{ kHz}$;
Charge Injection	4		4		pC typ	$V_S = 7\text{ V rms}$, $V_{EN} = 0\text{ V}$; Test Circuit 11
OFF Isolation	-75		-75		dB typ	$R_L = 1\text{ k}\Omega$, $C_L = 15\text{ pF}$, $f = 100\text{ kHz}$;
	-60		-60		dB min	Test Circuit 12
Channel-to-Channel Crosstalk	85		85		dB typ	$R_L = 1\text{ k}\Omega$, $C_L = 15\text{ pF}$, $f = 100\text{ kHz}$;
C_S (OFF)	11		11		pF typ	$f = 1\text{ MHz}$
C_D (OFF)						$f = 1\text{ MHz}$
ADG428	40		40		pF typ	
ADG429	20		20		pF typ	
C_D , C_S (ON)						$f = 1\text{ MHz}$
ADG428	54		54		pF typ	
ADG429	34		34		pF typ	
POWER REQUIREMENTS						
I_{DD}	20		20		μA typ	$V_{IN} = 0\text{ V}$, $V_{EN} = 0\text{ V}$
	100		100		μA max	

NOTES

¹Temperature ranges are as follows: B Versions: -40°C to +85°C; T Versions: -55°C to +125°C.²Guaranteed by design, not subject to production test.

Specifications subject to change without notice.

ADG428/ADG429

ABSOLUTE MAXIMUM RATINGS¹

(T_A = +25°C unless otherwise noted.)

V_{DD} to V_{SS} +44 V
 V_{DD} to GND -0.3 V to +25 V
 V_{SS} to GND +0.3 V to -25 V
 Analog, Digital Inputs² V_{SS} - 2 V to V_{DD} + 2 V or
 30 mA, Whichever Occurs First

Continuous Current, S or D 30 mA
 Peak Current, S or D 100 mA
 (Pulsed at 1 ms, 10% Duty Cycle Max)

Operating Temperature Range

Industrial (B Version) -40°C to +85°C
 Extended (T Version) -55°C to +125°C

Storage Temperature Range -65°C to +150°C

Junction Temperature +150°C

Cerdip Package, Power Dissipation 900 mW

θ_{JA}, Thermal Impedance 73°C/W

Lead Temperature, Soldering (10 sec) +300°C

Plastic Package, Power Dissipation 470 mW

θ_{JA}, Thermal Impedance 115°C/W

Lead Temperature, Soldering (10 sec) +260°C

PLCC Package, Power Dissipation 800 mW

θ_{JA}, Thermal Impedance 90°C/W

Lead Temperature, Soldering

Vapor Phase (60 sec) +215°C

Infrared (15 sec) +220°C

NOTES

¹Stresses above those listed under “Absolute Maximum Ratings” may cause permanent damage to the device. This is a stress rating only and functional operation of the device at these or any other conditions above those listed in the operational sections of this specification is not implied. Exposure to absolute maximum rating conditions for extended periods may affect device reliability. Only one absolute maximum rating may be applied at any one time.

²Overvoltages at A, EN, \overline{WR} , \overline{RS} , S or D will be clamped by internal diodes. Current should be limited to the maximum ratings given.

ORDERING GUIDE

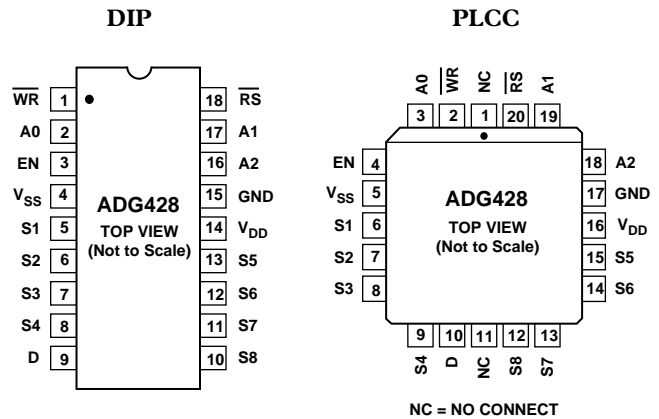
Model ¹	Temperature Range	Package Option ²
ADG428BN	-40°C to +85°C	N-18
ADG428BP	-40°C to +85°C	P-20A
ADG428TQ	-55°C to +125°C	Q-18
ADG429BN	-40°C to +85°C	N-18
ADG429BP	-40°C to +85°C	P-20A
ADG429TQ	-55°C to +125°C	Q-18

NOTES

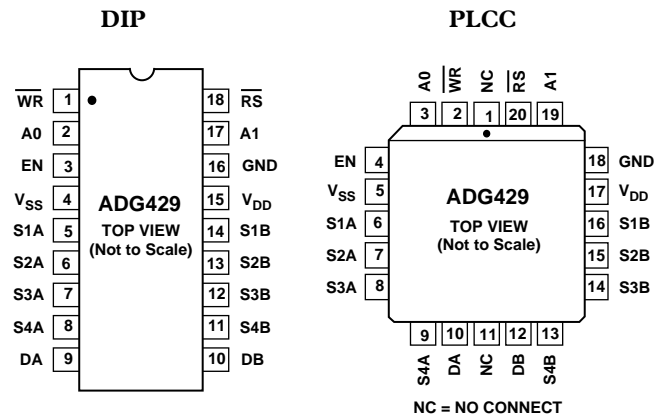
¹To order MIL-STD-883, Class B processed parts, add /883B to T grade part numbers.

²N = Plastic DIP; P = Plastic Leaded Chip Carrier (PLCC); Q = Cerdip.

ADG428 PIN CONFIGURATIONS



ADG429 PIN CONFIGURATIONS



CAUTION

ESD (electrostatic discharge) sensitive device. Electrostatic charges as high as 4000 V readily accumulate on the human body and test equipment and can discharge without detection. Although these devices feature proprietary ESD protection circuitry, permanent damage may occur on devices subjected to high energy electrostatic discharges. Therefore, proper ESD precautions are recommended to avoid performance degradation or loss of functionality.



TERMINOLOGY

V_{DD}	Most positive power supply potential.
V_{SS}	Most negative power supply potential in dual supplies. In single supply applications, it may be connected to ground.
GND	Ground (0 V) reference.
R_{ON}	Ohmic resistance between D and S.
ΔR_{ON}	Difference between the R_{ON} of any two channels.
I_S (OFF)	Source leakage current when the switch is off.
I_D (OFF)	Drain leakage current when the switch is off.
I_D, I_S (ON)	Channel leakage current when the switch is on.
V_D (V_S)	Analog voltage on terminals D, S.
C_S (OFF)	Channel input capacitance for “OFF” condition.
C_D (OFF)	Channel output capacitance for “OFF” condition.
C_D, C_S (ON)	“ON” switch capacitance.
C_{IN}	Digital input capacitance.
t_{ON} (EN)	Delay time between the 50% and 90% points of the digital input and switch “ON” condition.
t_{OFF} (EN)	Delay time between the 50% and 90% points of the digital input and switch “OFF” condition.
$t_{TRANSITION}$	Delay time between the 50% and 90% points of the digital inputs and the switch “ON” condition when switching from one address state to another.
t_{OPEN}	“OFF” time measured between 80% points of both switches when switching from one address state to another.
V_{INL}	Maximum input voltage for logic “0”.
V_{INH}	Minimum input voltage for logic “1”.
I_{INL} (I_{INH})	Input current of the digital input.
Crosstalk	A measure of unwanted signal which is coupled through from one channel to another as a result of parasitic capacitance.
Off Isolation	A measure of unwanted signal coupling through an “OFF” channel.
Charge Injection	A measure of the glitch impulse transferred from the digital input to the analog output during switching.
I_{DD}	Positive supply current.
I_{SS}	Negative supply current.

ADG428 Truth Table

A2	A1	A0	EN	\overline{WR}	\overline{RS}	ON SWITCH
Latching						
X	X	X	X	g	1	Maintains Previous Switch Condition
Reset						
X	X	X	X	X	0	NONE (Latches Cleared)
Transparent Operation						
X	X	X	0	0	1	NONE
0	0	0	1	0	1	1
0	0	1	1	0	1	2
0	1	0	1	0	1	3
0	1	1	1	0	1	4
1	0	0	1	0	1	5
1	0	1	1	0	1	6
1	1	0	1	0	1	7
1	1	1	1	0	1	8

ADG429 Truth Table

A1	A0	EN	\overline{WR}	\overline{RS}	ON SWITCH PAIR
Latching					
X	X	X	g	1	Maintains Previous Switch Condition
Reset					
X	X	X	X	0	NONE (Latches Cleared)
Transparent Operation					
X	X	0	0	1	NONE
0	0	1	0	1	1
0	1	1	0	1	2
1	0	1	0	1	3
1	1	1	0	1	4

ADG428/ADG429

TIMING DIAGRAMS

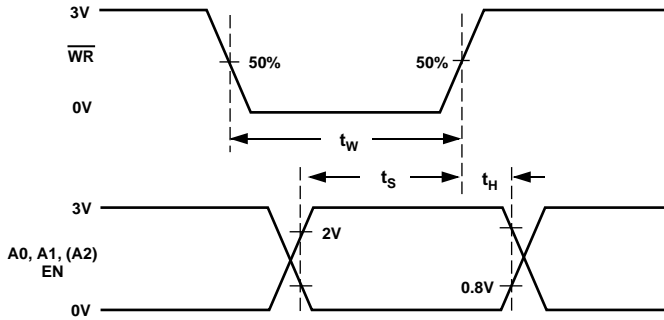


Figure 1.

Figure 1 shows the timing sequence for latching the switch address and enable inputs. The latches are level sensitive; therefore, while \overline{WR} is held low, the latches are transparent and the switches respond to the address and enable inputs. This input data is latched on the rising edge of \overline{WR} .

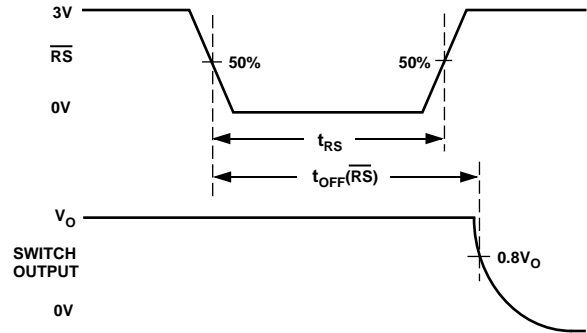


Figure 2.

Figure 2 shows the Reset Pulse Width, t_{RS} , and the Reset Turn-off Time, $t_{OFF}(\overline{RS})$.

Note: All digital input signals rise and fall times are measured from 10% to 90% of 3 V. $t_r = t_f = 20$ ns.

Typical Characteristics

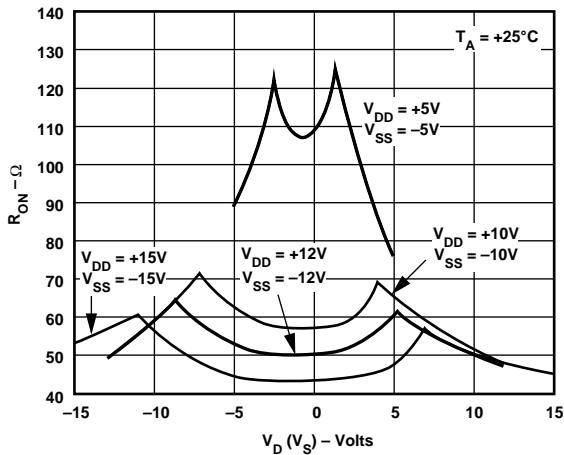


Figure 3. R_{ON} as a Function of V_D (V_S): Dual Supply Voltage

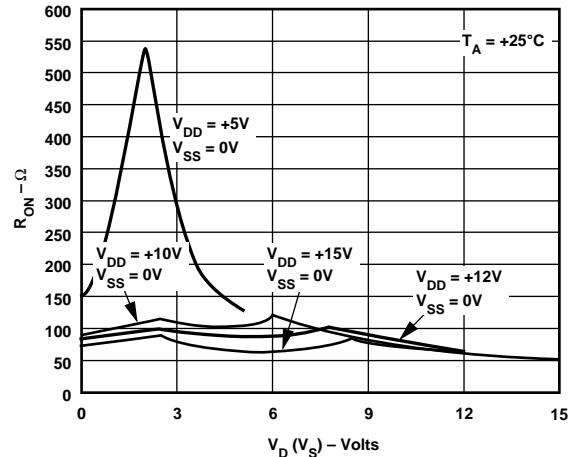


Figure 5. R_{ON} as a Function of V_D (V_S): Single Supply Voltage

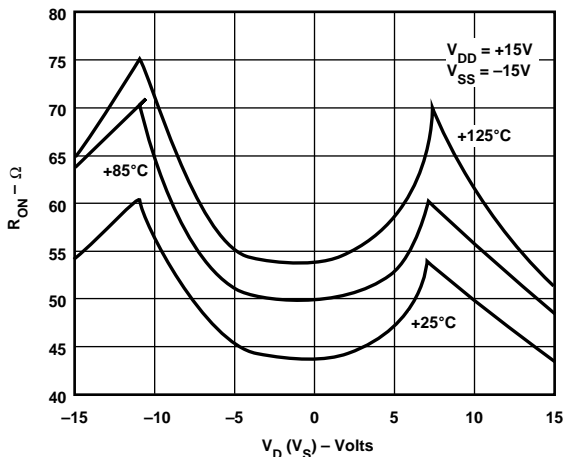


Figure 4. R_{ON} as a Function of V_D (V_S) for Different Temperatures

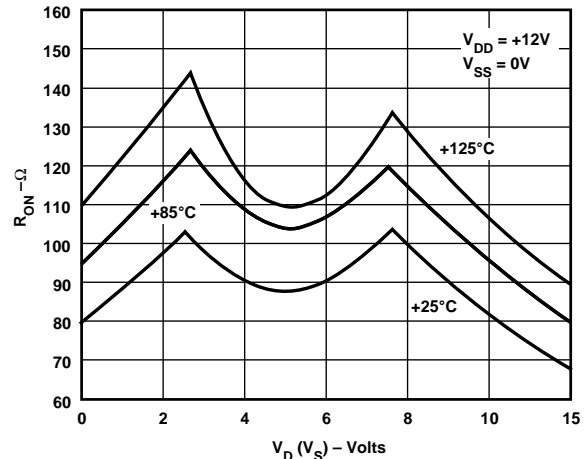


Figure 6. R_{ON} as a Function of V_D (V_S) for Different Temperatures

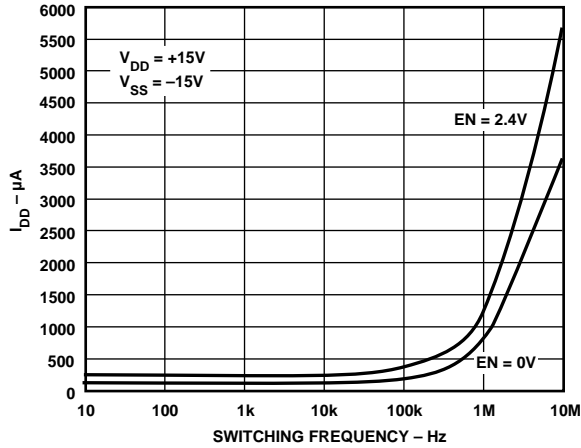


Figure 7. Positive Supply Current vs. Switching Frequency

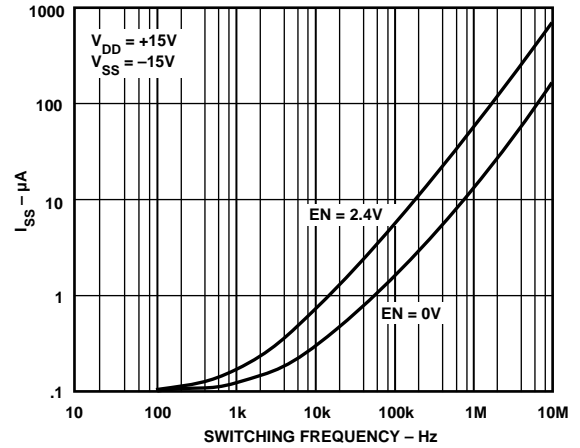


Figure 10. Negative Supply Current vs. Switching Frequency

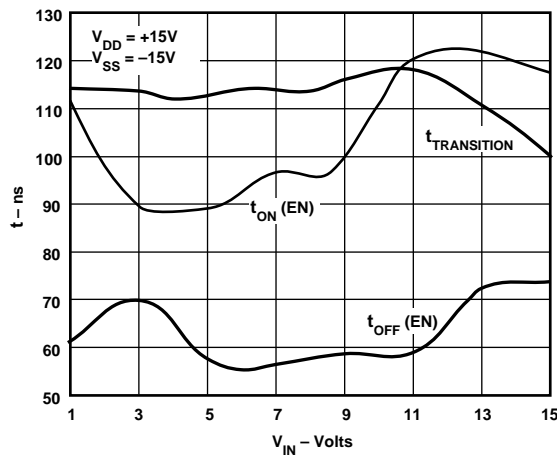


Figure 8. Switching Time vs. V_{IN} (Bipolar Supply)

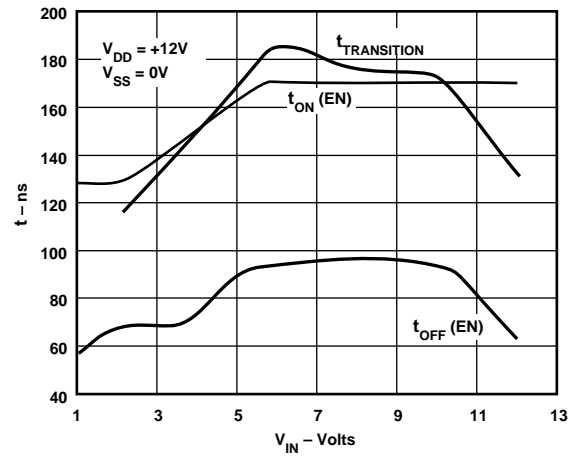


Figure 11. Switching Time vs. V_{IN} (Single Supply)

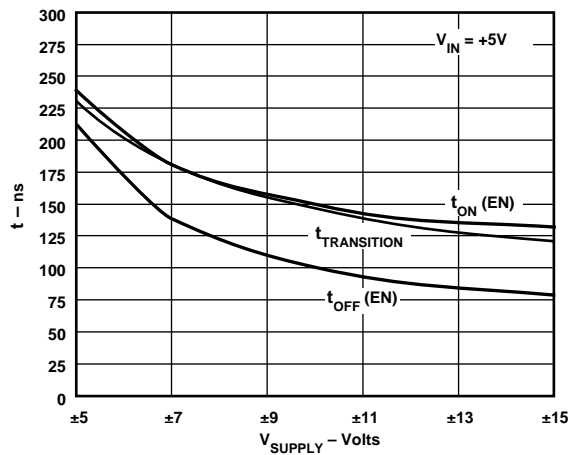


Figure 9. Switching Time vs. Bipolar Supply

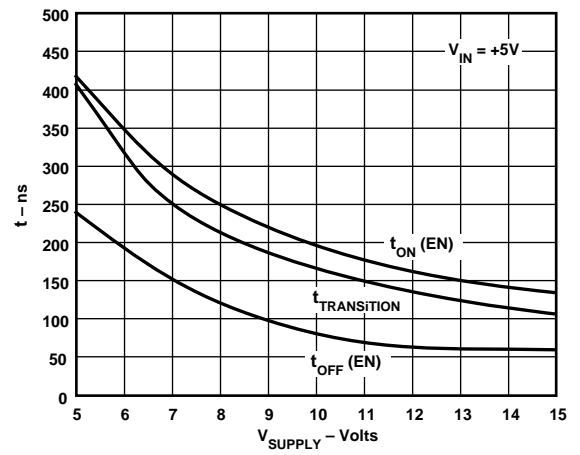


Figure 12. Switching Time vs. Single Supply

ADG428/ADG429—Typical Characteristics

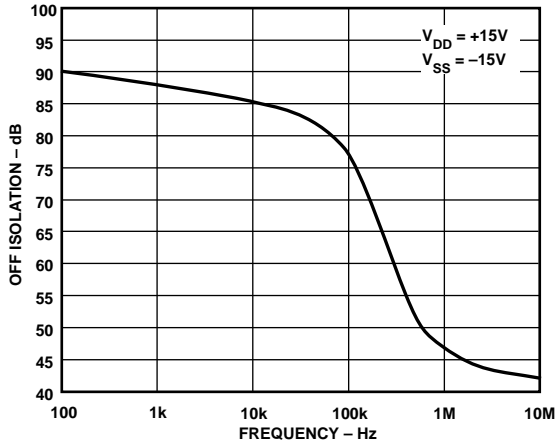


Figure 13. OFF Isolation vs. Frequency

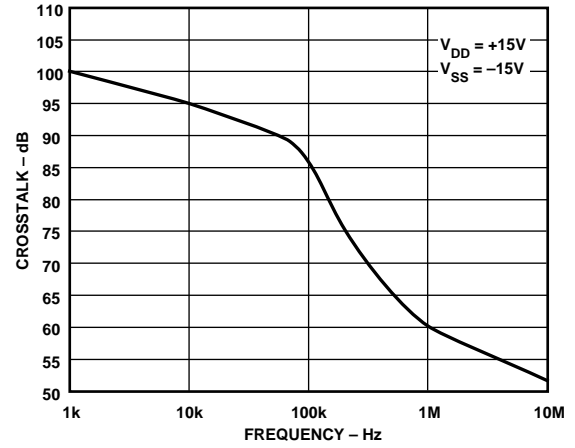


Figure 15. Crosstalk vs. Frequency

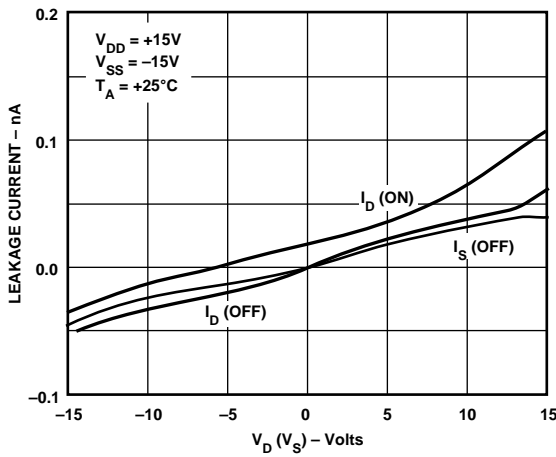


Figure 14. Leakage Currents as a Function of V_D (V_S)

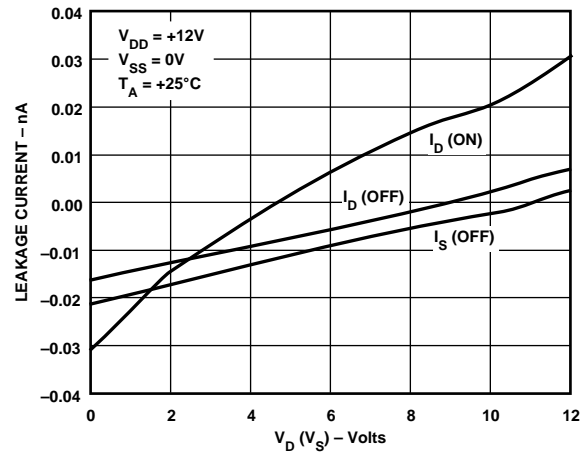
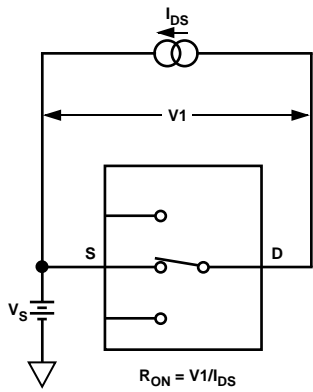
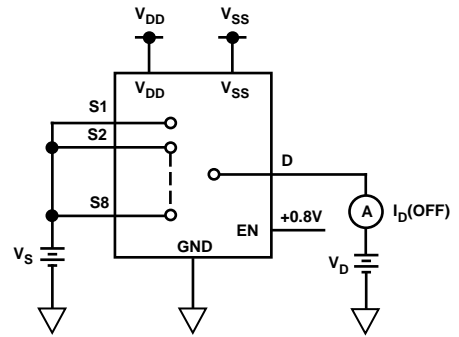


Figure 16. Leakage Currents as a Function of V_D (V_S)

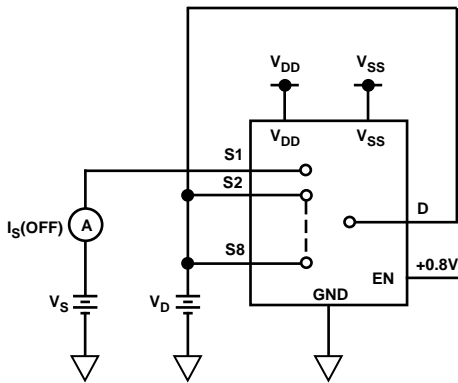
TEST CIRCUITS



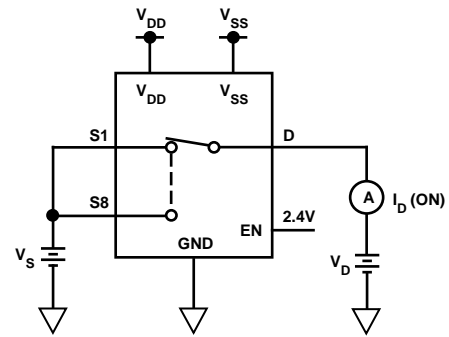
Test Circuit 1. On Resistance



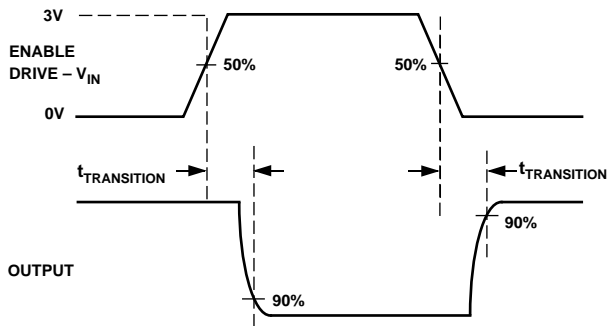
Test Circuit 3. I_D (OFF)



Test Circuit 2. I_S (OFF)

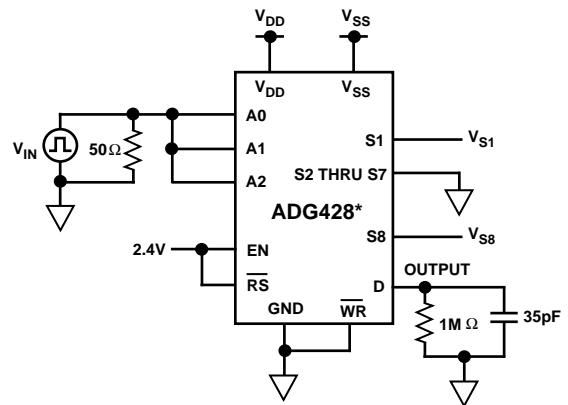


Test Circuit 4. I_D (ON)

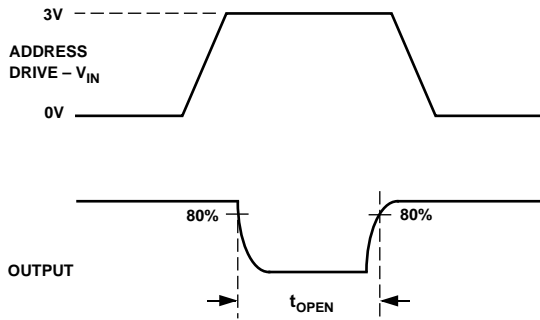


*SIMILAR CONNECTION FOR ADG429

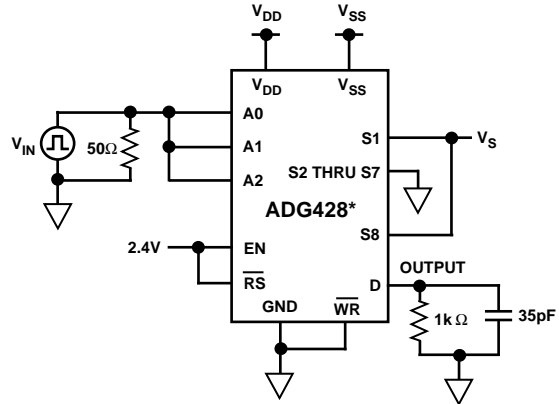
Test Circuit 5. Switching Time of Multiplexer, $t_{TRANSITION}$



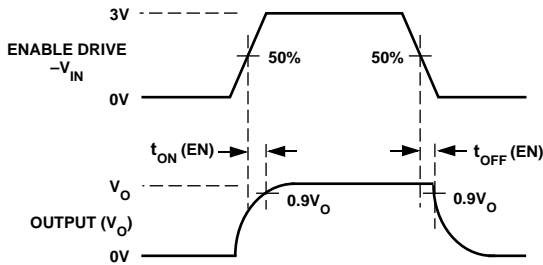
ADG428/ADG429



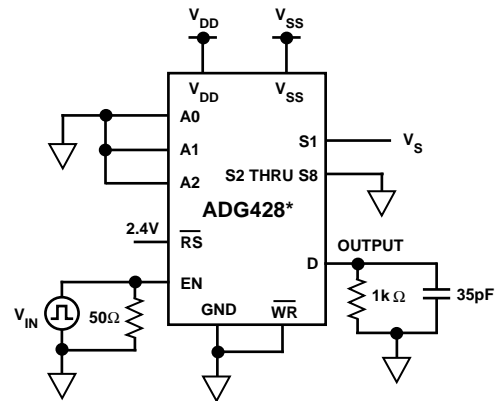
*SIMILAR CONNECTION FOR ADG429



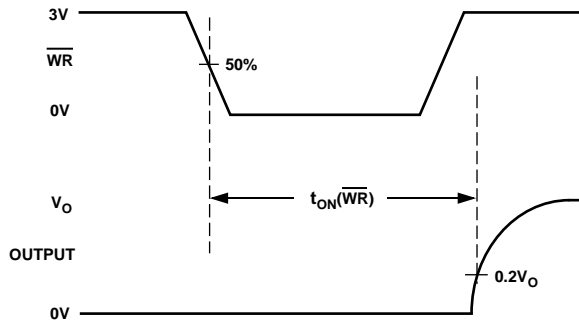
Test Circuit 6. Break-Before-Make Delay, t_{OPEN}



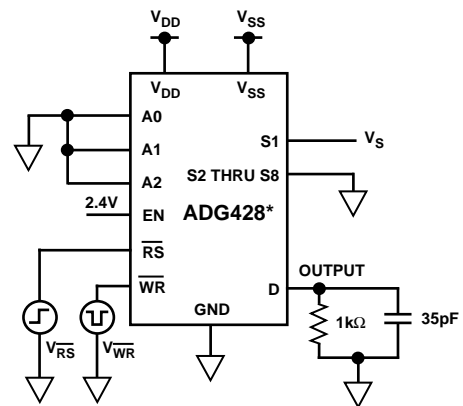
*SIMILAR CONNECTION FOR ADG429



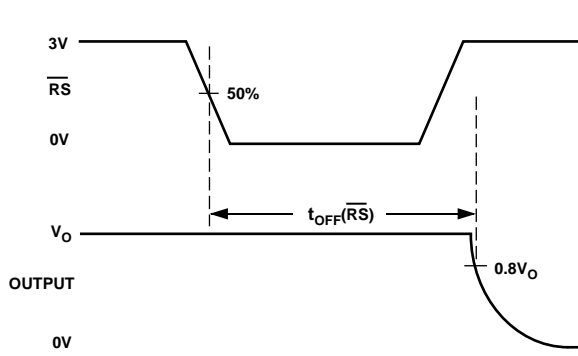
Test Circuit 7. Enable Delay, $t_{ON}(EN)$, $t_{OFF}(EN)$



*SIMILAR CONNECTION FOR ADG429

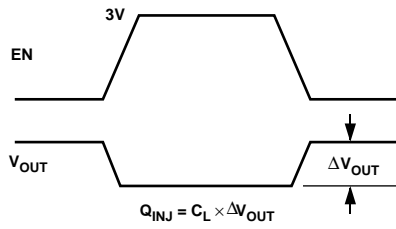
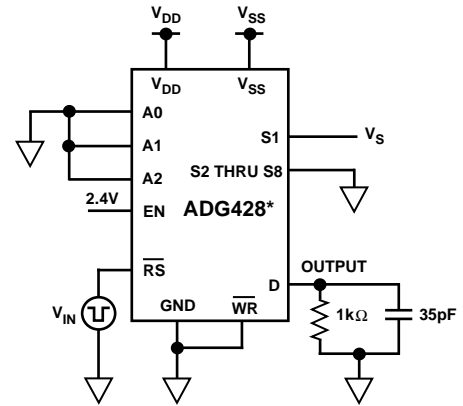


Test Circuit 8. Write Turn-On Time, $t_{ON}(\overline{WR})$



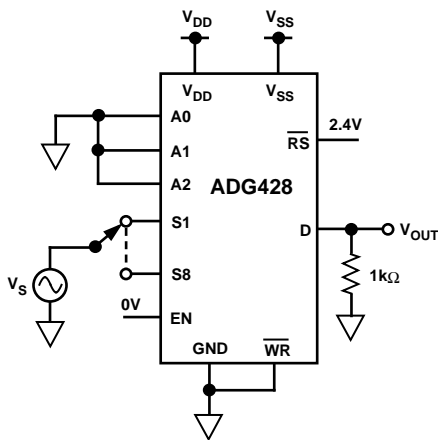
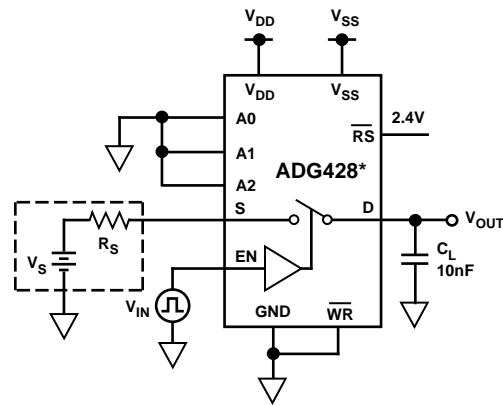
*SIMILAR CONNECTION FOR ADG429

Test Circuit 9. Reset Turn-Off Time, $t_{OFF}(\overline{RS})$

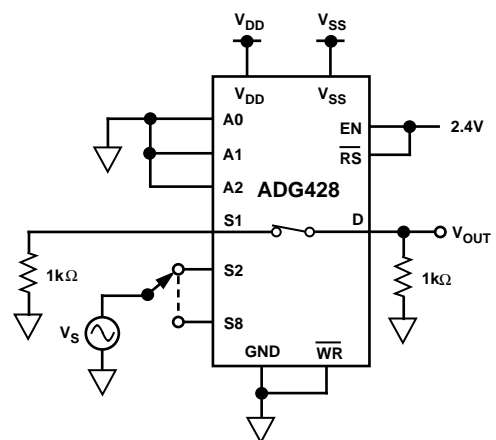


*SIMILAR CONNECTION FOR ADG429

Test Circuit 10. Charge Injection



Test Circuit 11. OFF Isolation

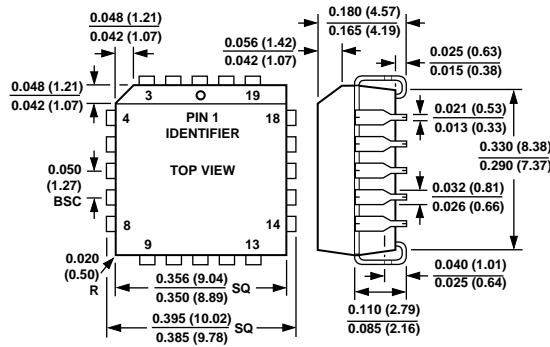


Test Circuit 12. Crosstalk

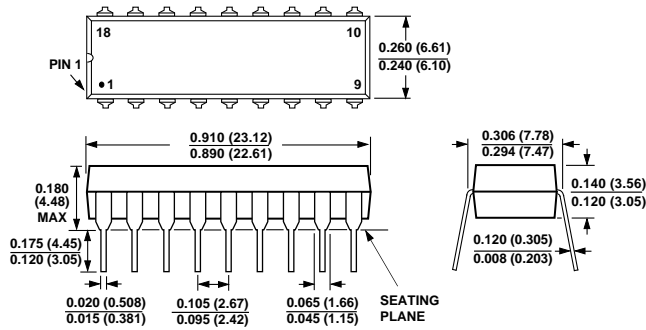
OUTLINE DIMENSIONS

Dimensions shown in inches and (mm).

PLCC (P-20A)



Plastic DIP (N-18)



Cerdip (Q-18)

