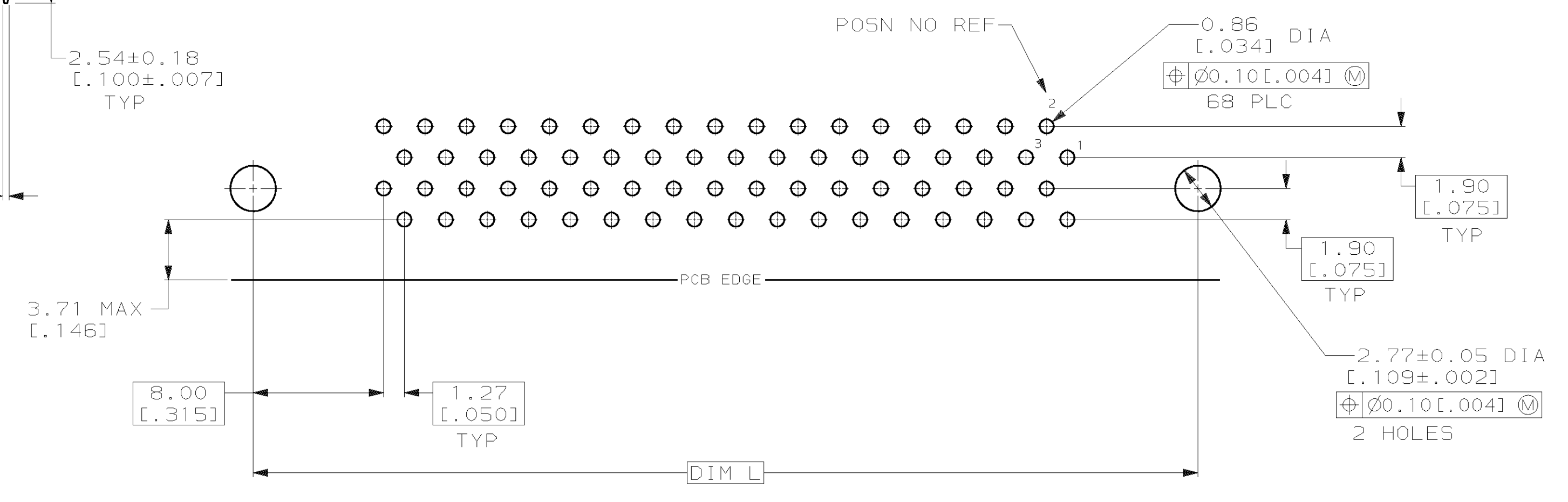
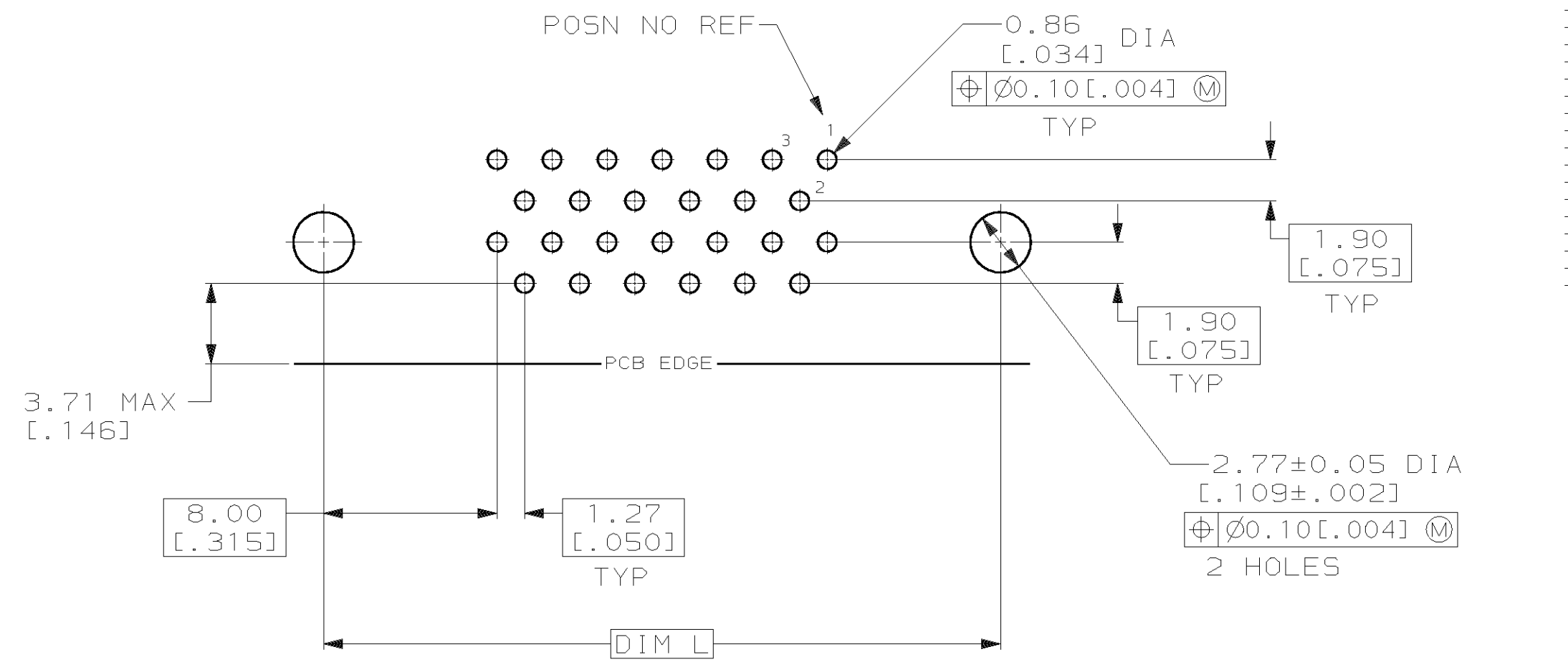
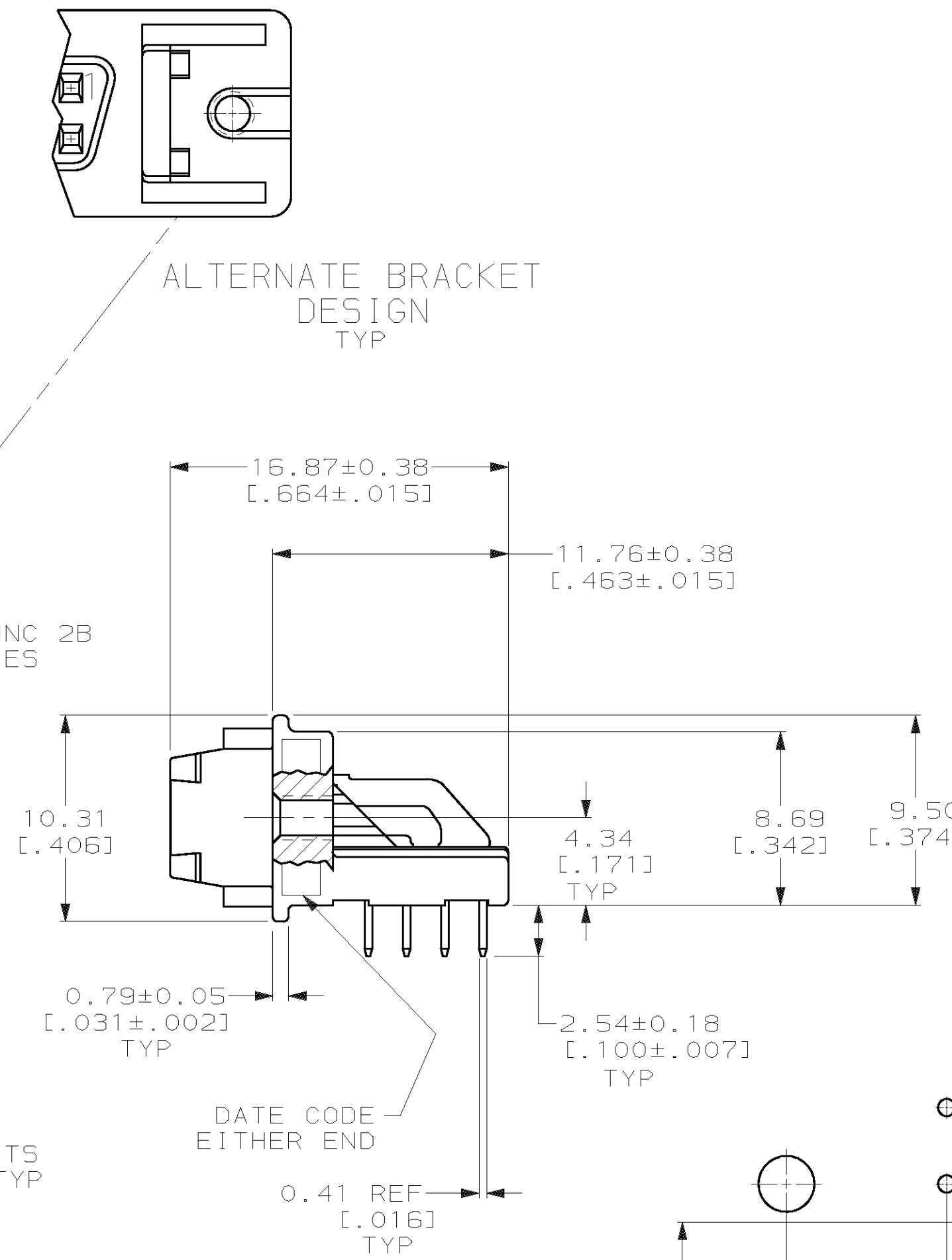
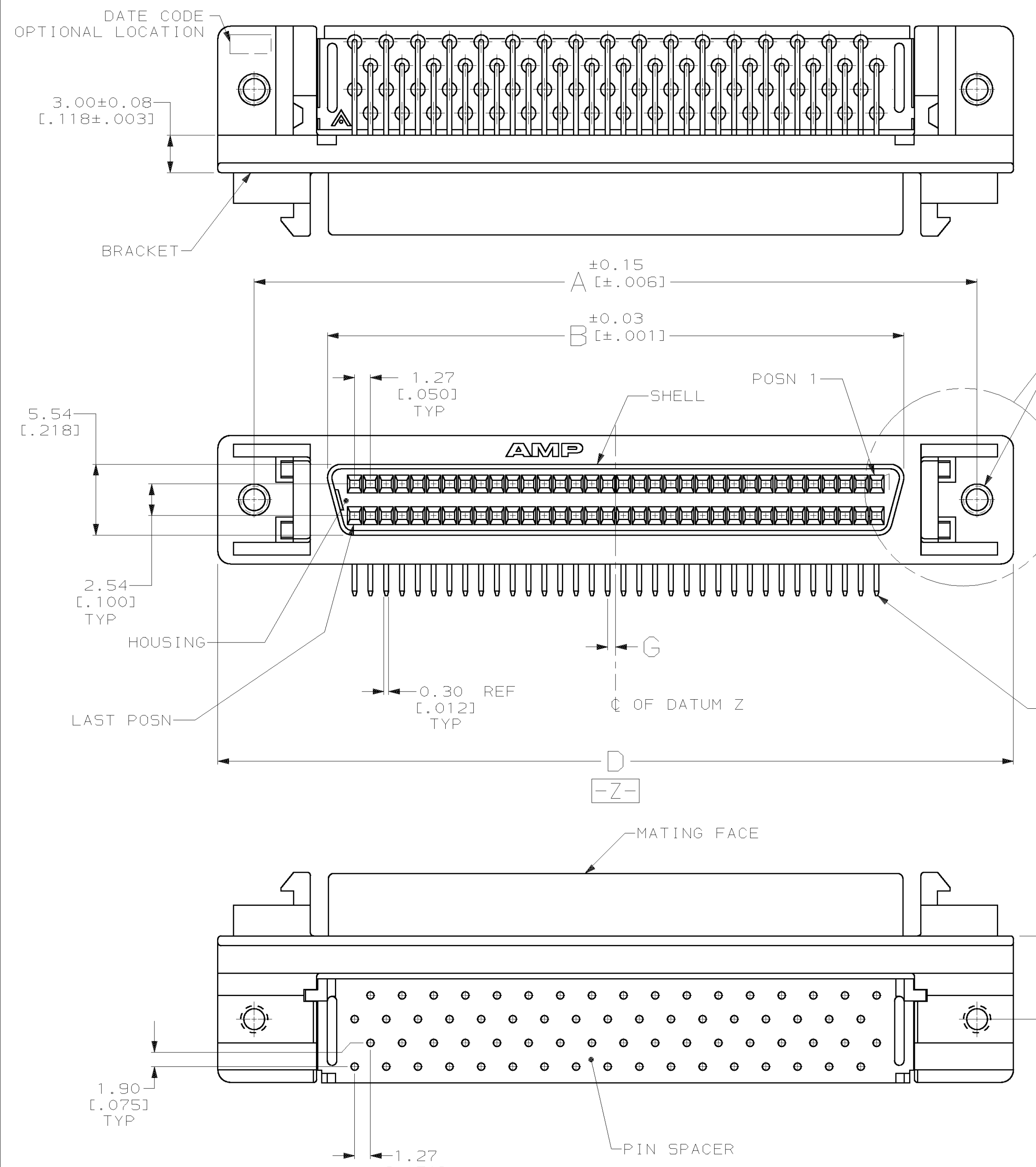
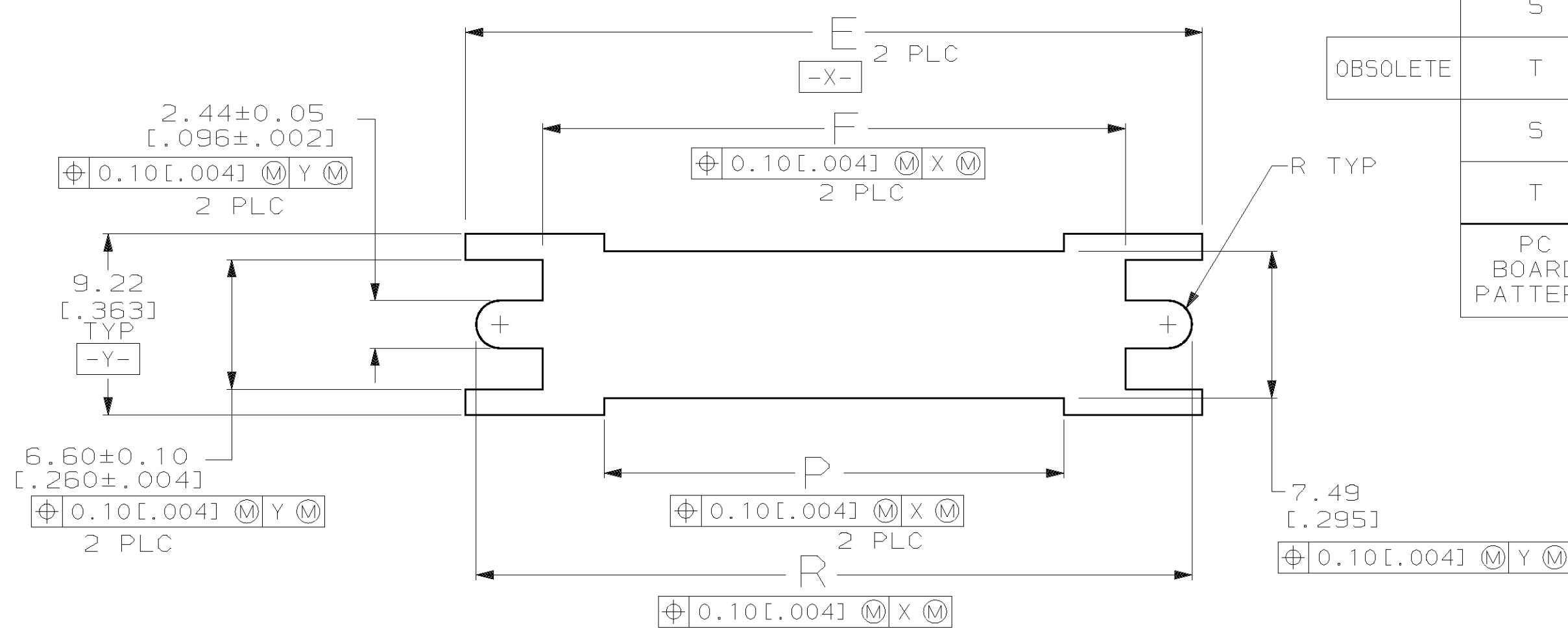


LOC		DIST		P		F		ZONE		LTR		REVISIONS			
GP	00											DESCRIPTION	DATE	APPD	
												5	REVISED PER EC 051C-0291-01	07DEC01	JG



PC BOARD PATTERN	R	P	L	G	F	E	D	B	A	NO OF POSN	PART NUMBER
T	67.97 [2.676]	55.47 [2.184]	65.53 [2.580]	0.64 [.025]	61.85 [2.435]	69.60 [2.740]	71.50 [2.815]	53.75 [2.116]	65.53 [2.580]	80	787190-8
T	60.35 [2.376]	47.85 [1.884]	57.91 [2.280]	0.64 [.025]	54.23 [2.135]	61.98 [2.440]	63.88 [2.515]	46.13 [1.816]	57.91 [2.280]	68	787190-7
S	48.92 [1.926]	36.42 [1.434]	46.48 [1.830]	1.27 [.050]	42.80 [1.685]	50.55 [1.990]	52.45 [2.065]	34.70 [1.366]	46.48 [1.830]	50	787190-5
OBSOLETE T	34.95 [1.376]	22.45 [.884]	32.51 [1.280]	0.64 [.025]	28.83 [1.135]	36.58 [1.440]	38.48 [1.515]	20.73 [.816]	32.51 [1.280]	28	787190-3
S	33.68 [1.326]	21.18 [.834]	31.24 [1.230]	1.27 [.050]	27.56 [1.085]	35.31 [1.390]	37.21 [1.465]	19.46 [.766]	31.24 [1.230]	26	787190-2
T	29.87 [1.176]	17.37 [.684]	27.43 [1.080]	0.64 [.025]	23.75 [.935]	31.50 [1.240]	33.40 [1.315]	15.65 [.616]	27.43 [1.080]	20	787190-1

- 1 0.76µm [.000030] MIN GOLD FOR A LENGTH OF 0.64 [.025] MAX, 0.13 [.005] MIN FROM MATING END, 3.81µm [.000150] MIN TIN-LEAD ON OPPOSITE END FOR A LENGTH OF 2.72 [.107] MIN, BOTH OVER 1.27µm [.000050] MIN NICKEL.
- 2 CONTACTS: PHOSPHOR BRONZE; HOUSING & PIN SPACER: UL 94V-0 RATED, THERMOPLASTIC, BLACK; BRACKET: ZINC; SHELL: CARBON STEEL.
- 3 5.08µm [.000200] MIN NICKEL OVER 1.27µm [.000050] MIN COPPER.
- 4 2.54µm [.000100] MIN NICKEL OVER 5.08µm [.000200] COPPER.



THIS DRAWING IS A CONTROLLED DOCUMENT FOR AMP INCORPORATED. IT IS SUBJECT TO CHANGE AND THE CONTROLLING ENGINEERING ORGANIZATION SHOULD BE CONTACTED FOR THE LATEST REVISION.

DO NOT SCALE PRINT. UNLESS SPECIFIED DIMENSIONS IN mm [INCHES] TOLERANCES ON: 2 PLC DEC ± 0.13 (.005) 3 PLC DEC ± - ANGLES ± -	DR 5-26-94 D. BROCKWAY	AMP Incorporated Harrisburg, PA 17105-3608
FINISH CONTACTS: 1 SHELL: 2 BRACKET: 3	CHK 5-26-94 R. STONE	
MATERIAL	APPD 5-26-94 R. WALTER	NAME RECEPTACLE ASSEMBLY, SHIELDED, RIGHT ANGLE, RAILED, .050 SERIES, AMPLIMITE™
PRODUCT SPEC 108-1228	APPD 5-26-94 R. WALTER	SIZE D
APPLICATION SPEC 114-40029	WEIGHT -	CAGE CODE 00779
		DRAWING NO C=787190
		SCALE 4:1
		SHEET 1 OF 1