

Fig. 1

## 1. INTRODUCTION

This instruction sheet covers the use of the AMP Insertion Tool 455830 which is designed for inserting AMP Universal MATE-N-LOK ★ pin and socket contacts into their housings. Read these instructions thoroughly before inserting any contacts.

## 2. DESCRIPTION

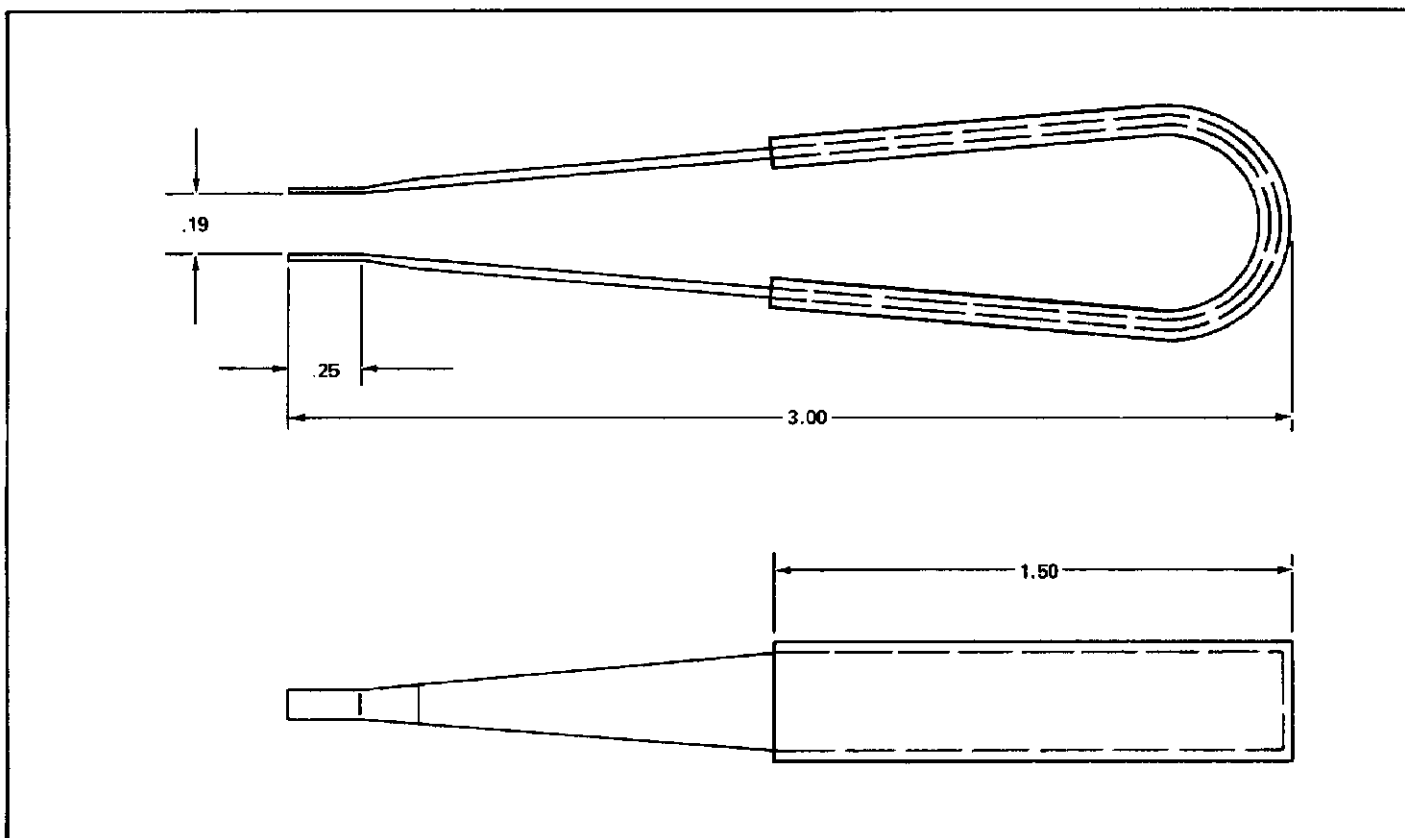
This tweezer-shaped tool features two grooved insertion tips for grasping the wire connected to the contact, and two tool handles which assist in applying even pressure to the insertion tips.

★ TRADEMARK OF AMP INCORPORATED

## 3. INSERTION PROCEDURES (Figure 1)

Insert the contact as follows:

1. Place the insertion tool over the wire, with the tool insertion tips behind the contact insulation barrel.
2. Insert the contact into the connector cavity until the locking lance on the contact is fully seated.
3. Remove the insertion tool tip from the connector cavity. Pull back lightly on the wire to make sure the contact is locked in place.



INSERTION TOOL	PRODUCT DESIGNED FOR	ENGINEERING APPROVAL	DATE
455830	AMP Universal MATE-N-LOK Pin and Socket Contacts	<i>W. MacKinnon</i>	6-1-79

Fig. 2

**4. TOOL CERTIFICATION**

The tool listed in this instruction sheet should be certified with the information provided in Figure 2.

We recommend that you inspect the tool immediately upon arrival in your factory, and at regularly scheduled

intervals, to ensure that the tool has not been damaged.

Additional tools can be purchased from:

AMP Incorporated  
Eisenhower Boulevard  
Harrisburg, Pennsylvania 17105